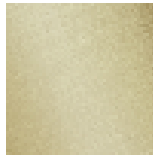




Kitchen - Tara Ultra
PIVOT Single-lever mixer - Brushed Durabronz
Article number: 33 845 875-28 0010

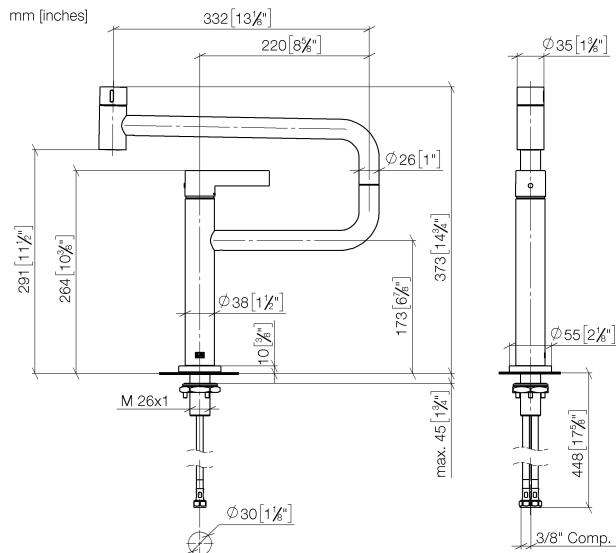
- 21-3/4" Projection
- Swiveling spout 360°
- Areated stream
- Total height 14-5/8"
- Height to aerator/spout outlet 11-3/8"
- Flange 2-1/8"
- 1-3/8" hole diameter
- Water flow rate limited to max. 1.5 gpm
- lead-free



Brushed Durabronz

Discontinued items available to order until 31.12.9999

Dimensional drawing

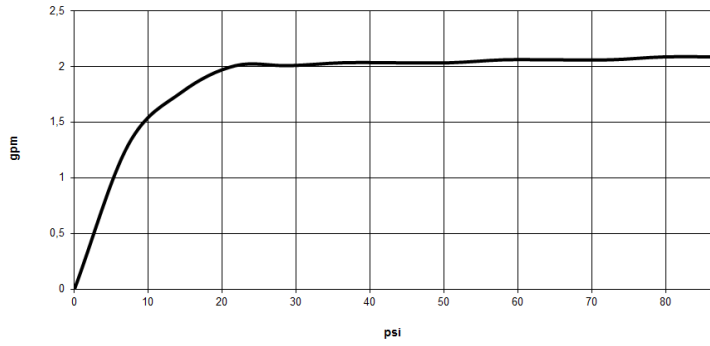




Kitchen - Tara Ultra
PIVOT Single-lever mixer - Brushed Durabronz
Article number: 33 845 875-28 0010

All dimensions in mm / inch = mm x 0,0394

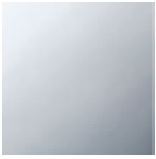
Flow rate chart





Kitchen - Tara Ultra
PIVOT Single-lever mixer - Brushed Durabronze
Article number: 33 845 875-28 0010

Other surface finishes



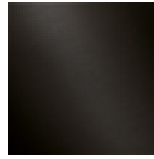
polished chrome
33 845 875-00 0010



platinum matte
33 845 875-06 0010



platinum
33 845 875-08 0010

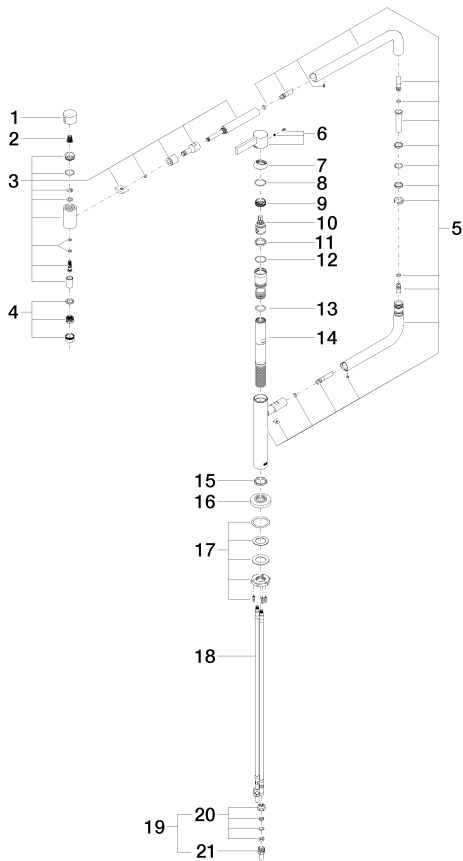


Dark Platinum matte
33 845 875-99 0010

More custom finish options are available via special production (xTra Service). Please see our finish matrix for availability and pricing or contact a Dornbracht representative.

Spare parts list

Kitchen - Tara Ultra
 PIVOT Single-lever mixer - Brushed Durabross
 Article number: 33 845 875-28 0010



Number	Item Number	Designation	Number of units
1	09 20 62 025-28	Handle Ø 35 x 23 mm - Brushed Durabross	1
2	09 12 12 002 90	Fixing cap white Ø 15 x 12 mm -	1
3	90 19 87 001 00-28	Outlet 35 x 205 x 57 mm - Brushed Durabross	1
4	90 23 01 026 08-28	Aerator anti-theft M24x1 1.5 gpm - Brushed Durabross	1
5	90 28 22 257 00-28	Joint For pot filler 340 x 327 x 38 mm - Brushed Durabross	1
6	90 20 87 004 00-28	Handle Lever 35 x 40 x 110 mm - Brushed Durabross	1
7	09 28 30 013-28	Hood Ø 37 x 11,7 mm - Brushed Durabross	1
8	09 14 10 091 90	O-Ring NBR 70 26,5 x 1,72 mm -	1
9	09 24 04 266 90	Mounting bracket Ø 28 x 10,8 mm -	1
10	90 15 05 042 00 90	cartridge Ø 25 x 52 mm -	1
11	09 28 10 156 90	Ring Ø 29,9 x 4,9 mm -	1
12	09 14 10 063 90	O-Ring EPDM 70 26,0 x 2,0 mm -	1
13	09 14 10 081 90	O-Ring EPDM 70 22,0 x 3,0 mm -	1
14	09 30 01 126 90	Wall connection Ø 27 x 210 mm -	1
15	09 28 10 159 90	Ring Ø 33,5 x 5 mm -	1
16	09 27 87 033-28	Escutcheon Ø 55 x 12 mm - Brushed Durabross	1
17	04 30 11 085 87 90	Mounting bracket with O-Ring Ø34 x 4 mm With spacer sleeve Ø 52 x 1,5 mm -	1
18	04 30 04 098 00 90	Flexible supply line M8x1 x 600 mm -	2
19	04 24 04 222 00-28	Compression fitting Adapter USA - Brushed Durabross	2
20	04 23 30 031 01-07	Wall connection Ø 10 mm x 3/8" - Rough nickel-plated	2
21	09 24 04 222 10-28	Wall connection Adapter 17 x 38 x 19 mm - Brushed Durabross	2