

Docking Drawer®

Blade Series Tear Sheet

BLADE DUO 1514-238

Revision 1



Docking Drawer is the market leader of in-drawer outlets, offering the only ETL-Listed solution unsurpassed in both safety and quality.

Designed intentionally for use inside a drawer, our outlets feature an integrated thermostat that cuts power if surrounding temperatures exceed 120°F and cable management arms that guide and protect the power cord as the drawer opens and closes. Premium, all-metal components guarantee long-lasting durability, while the capacity to easily update the outlet as technology changes over time ensures lifelong usability.

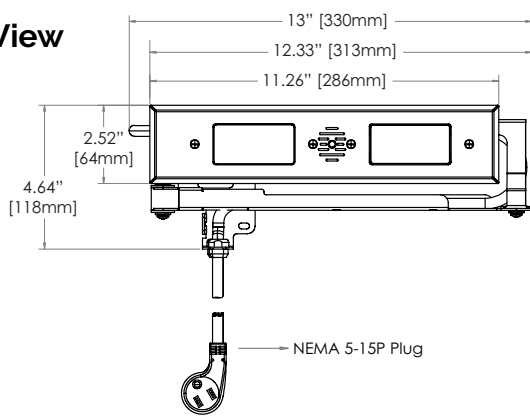
Install our in-drawer outlets with ease into drawers of any type to eliminate cord and device clutter from countertops and surfaces for more organized and functional spaces.

Blade Series Blade Duo 1514-238

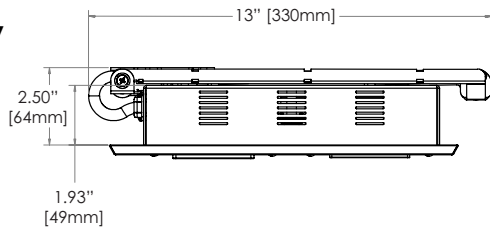
Outlet Dimensions

| | |
|----------------------|----------------|
| Outlet Width | 13" (330mm) |
| Outlet Height | 4.64" (118mm) |
| Outlet Depth | 2.5" (64mm) |
| Receptacle Box Depth | 1.93" (49mm) |
| Cover Plate Height | 2.52" (64mm) |
| Cover Plate Width | 11.26" (286mm) |

Front View



Top View



Outlet Specifications



2 AC &
2 USB-C
(PD - 30 Watt)

AC: 15 amps @ 120 VAC

USB-C (single port connected to PD device): 3 amps @ 9 VDC (30W)

USB-C (single port connected to non-PD device): 3 amps @ 5 VDC (15W)

USB-C (both ports connected): 3 amps @ 5 VDC (30W total power)



2 USB-C
(PD - 30 Watt)
& 2 USB-A

USB-C (PD) 30 Watt Shared

USB-C (single port connected to PD device): 30W max 5V/3A; 9V/3A; 12V/2.5A; 15V/2A; 20V/1.5A

USB-C (both ports connected): 15W each port C1:5V/3A C2:5V/3A

USB-A (max with one or both ports connected) 12W total 5v/2.4A

Recommended Locations for the In-Cabinet Electrical Supply

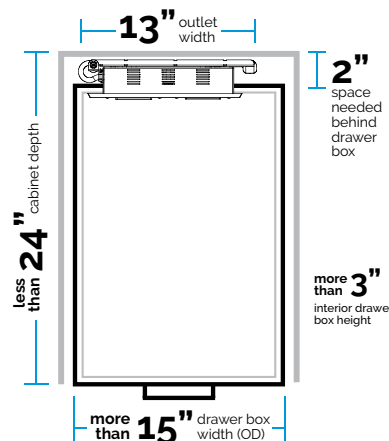


Do NOT put the electrical supply directly behind the drawer box as it may interfere with the cable management arms



Cabinet Specifications

| | |
|------------------------------------|-------------|
| Outlet Width | 13" |
| Minimum Drawer Box Width (OD) | 15" or more |
| Minimum Interior Drawer Box Height | 3" or more |
| Minimum Space Behind Drawer Box | 2" or more |
| Maximum Base Cabinet Depth | 24" or less |



Resources & Downloads

Docking Drawer provides all of the necessary resources to plan a Blade Series outlet installation. Download the following resources at dockingdrawer.com/downloads:

- Spec Book
- DXF, Step and Solidwork Files
- Mounting Diagrams
- Installation Instructions

Ready to Order?

Source directly from Docking Drawer or from one of our distribution partners. [Learn more.](#)

Project Name:

Where to Source: Docking Drawer Distributor

Lead Time - 2 weeks Freight - FOB San Ramon Warranty - 5 Years [Terms & Conditions](#)