

# Docking Drawer®

Blade Series Tear Sheet

**BLADE DUO 1514-217**

Revision 1



Docking Drawer is the market leader of in-drawer outlets, offering the only ETL-Listed solution unsurpassed in both safety and quality.

Designed intentionally for use inside a drawer, our outlets feature an integrated thermostat that cuts power if surrounding temperatures exceed 120°F and cable management arms that guide and protect the power cord as the drawer opens and closes. Premium, all-metal components guarantee long-lasting durability, while the capacity to easily update the outlet as technology changes over time ensures lifelong usability.

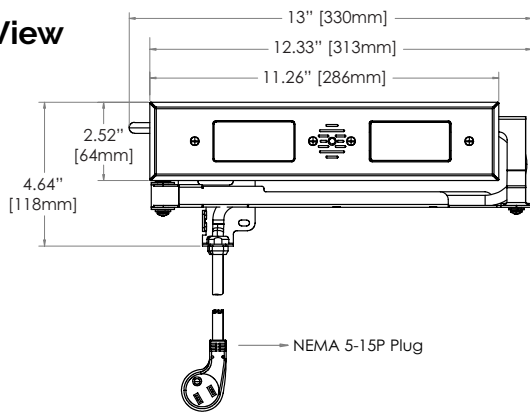
Install our in-drawer outlets with ease into drawers of any type to eliminate cord and device clutter from countertops and surfaces for more organized and functional spaces.

# Blade Series Blade Duo 1514-217

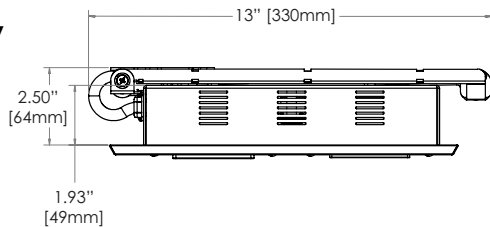
## Outlet Dimensions

|                      |                |
|----------------------|----------------|
| Outlet Width         | 13" (330mm)    |
| Outlet Height        | 4.64" (118mm)  |
| Outlet Depth         | 2.5" (64mm)    |
| Receptacle Box Depth | 1.93" (49mm)   |
| Cover Plate Height   | 2.52" (64mm)   |
| Cover Plate Width    | 11.26" (286mm) |

### Front View



### Top View



## Outlet Specifications



2 AC &  
2 USB-A

AC: 15 amps @ 120 VAC  
USB-A: 3.6 amps @ 5 VDC



2 AC &  
2 USB-C  
(PD - 65 Watt)

AC: 15 amps @ 120 VAC  
USB-C (PD) 65 Watt Shared  
USB-C (single port connected to PD device):  
65W 5V/3A; 9V/3A; 12V/3A; 15V/3A; 20V/3.25A  
USB-C (both ports connected to PD devices):  
65W total C1/C2: 5V/3A; 9V/3A; 12V/2.5A;  
15V/2A; 20V/1.5A

## Recommended Locations for the In-Cabinet Electrical Supply

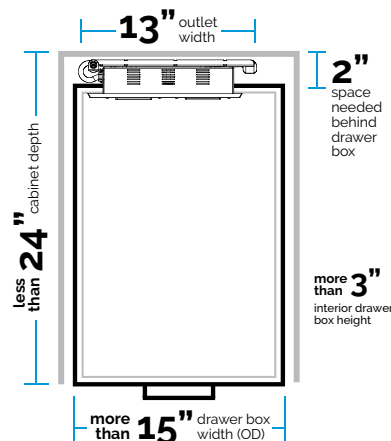


*Do NOT put the electrical supply directly behind the drawer box as it may interfere with the cable management arms*



## Cabinet Specifications

|                                    |             |
|------------------------------------|-------------|
| Outlet Width                       | 13"         |
| Minimum Drawer Box Width (OD)      | 15" or more |
| Minimum Interior Drawer Box Height | 3" or more  |
| Minimum Space Behind Drawer Box    | 2" or more  |
| Maximum Base Cabinet Depth         | 24" or less |



## Resources & Downloads

Docking Drawer provides all of the necessary resources to plan a Blade Series outlet installation. Download the following resources at [dockingdrawer.com/downloads](https://dockingdrawer.com/downloads):

- Spec Book
- DXF, Step and Solidwork Files
- Mounting Diagrams
- Installation Instructions

## Ready to Order?

Source directly from Docking Drawer or from one of our distribution partners. [Learn more.](#)

Project Name:

Where to Source:  Docking Drawer  Distributor

Lead Time - 2 weeks    Freight - FOB San Ramon    Warranty - 5 Years    [Terms & Conditions](#)