

Docking Drawer[®]

SPEC BOOKS

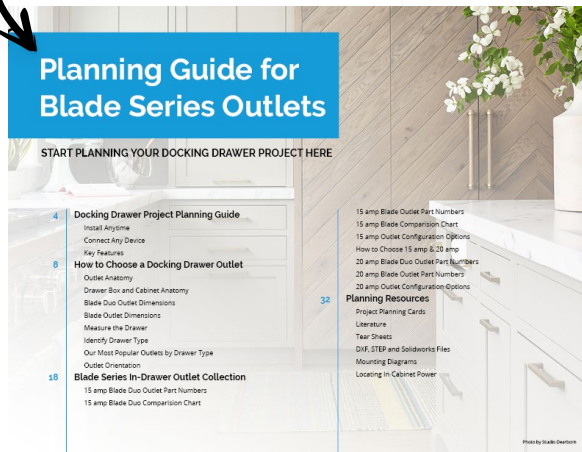
Revision 9

- 3 Planning Guide for Blade Series Outlets
- 39 Installation Spec Book for Blade Series Outlets
- 76 Preconfigured Drawers Spec Book
- 81 Safety Interlock Outlets Spec Book
- 99 Canisters Spec Book

Welcome to Our All-Inclusive Spec Book

This all-inclusive Spec Book features everything you need to plan and power your projects with Docking Drawer!

Start Here



The first section, our Blade Series project Planning Guide, introduces our market-leading in-drawer outlets and highlights key product features. Find our most popular outlets for various applications and gain a better understanding of which products will be best for your projects.



The second section, our Blade Series Installation Guide, features key information for the installation of our in-drawer outlets, such as how to install by drawer type, pro installation tips, electrical planning guides and more details to bookmark or share with your installer.



Spec books for other Docking Drawer products will follow, featuring sections on Preconfigured Powered Drawers, Safety Interlock Products and Steel Canisters.



Planning Guide for Blade Series Outlets

START PLANNING YOUR DOCKING DRAWER PROJECT HERE

4 Docking Drawer Project Planning Guide

- Install Anytime
- Connect Any Device
- Key Features

8 How to Choose a Docking Drawer Outlet

- Outlet Anatomy
- Drawer Box and Cabinet Anatomy
- Blade Duo Outlet Dimensions
- Blade Outlet Dimensions
- Measure the Drawer
- Identify Drawer Type
- Our Most Popular Outlets by Drawer Type
- Outlet Orientation

18 Blade Series In-Drawer Outlet Collection

- 15 amp Blade Duo Outlet Part Numbers
- 15 amp Blade Duo Comparison Chart

- 15 amp Blade Outlet Part Numbers
- 15 amp Blade Comparison Chart
- 15 amp Outlet Configuration Options
- How to Choose 15 amp & 20 amp
- 20 amp Blade Duo Outlet Part Numbers
- 20 amp Blade Outlet Part Numbers
- 20 amp Outlet Configuration Options

32

Planning Resources

- Project Planning Cards
- Literature
- Tear Sheets
- DXF, STEP and Solidworks Files
- Mounting Diagrams
- Locating In-Cabinet Power

Can't find what you're looking for? **Ctrl or Cmmd + F**

Docking Drawer Project Planning Guide

Plan your Project Plan your Docking Drawer Project at any Time

Docking Drawer Blade Series outlets can be installed at any point, whether you are undergoing a complete renovation or simply want to add an in-drawer outlet to an existing drawer. Although the installation process may look a little different depending on your situation. Here are some tips:

Plan at **any** time

Beginning of project

It's easiest to start planning before you begin your project as the electrician can rough in electrical where needed.

Middle of project

It's easy to install in the middle of your project when the countertop is off and the area behind the drawer box is still easily accessible.

End of project

It's still easy to install at the end of your project when the countertop is on. It will just be a tighter space to work in and you will have to remove the drawer boxes to access the back cabinet or furniture wall.

How to Get Started

Specifying a Docking Drawer into any type of project is simple. You can specify an outlet in 3 ways:
[By Drawer Type](#)
[By Room](#)
[By Part Number](#)

Install at **any** place

At the Factory

The cabinet manufacturer can install at the factory.

In the Shop

The cabinet maker or electrician can install in the shop.

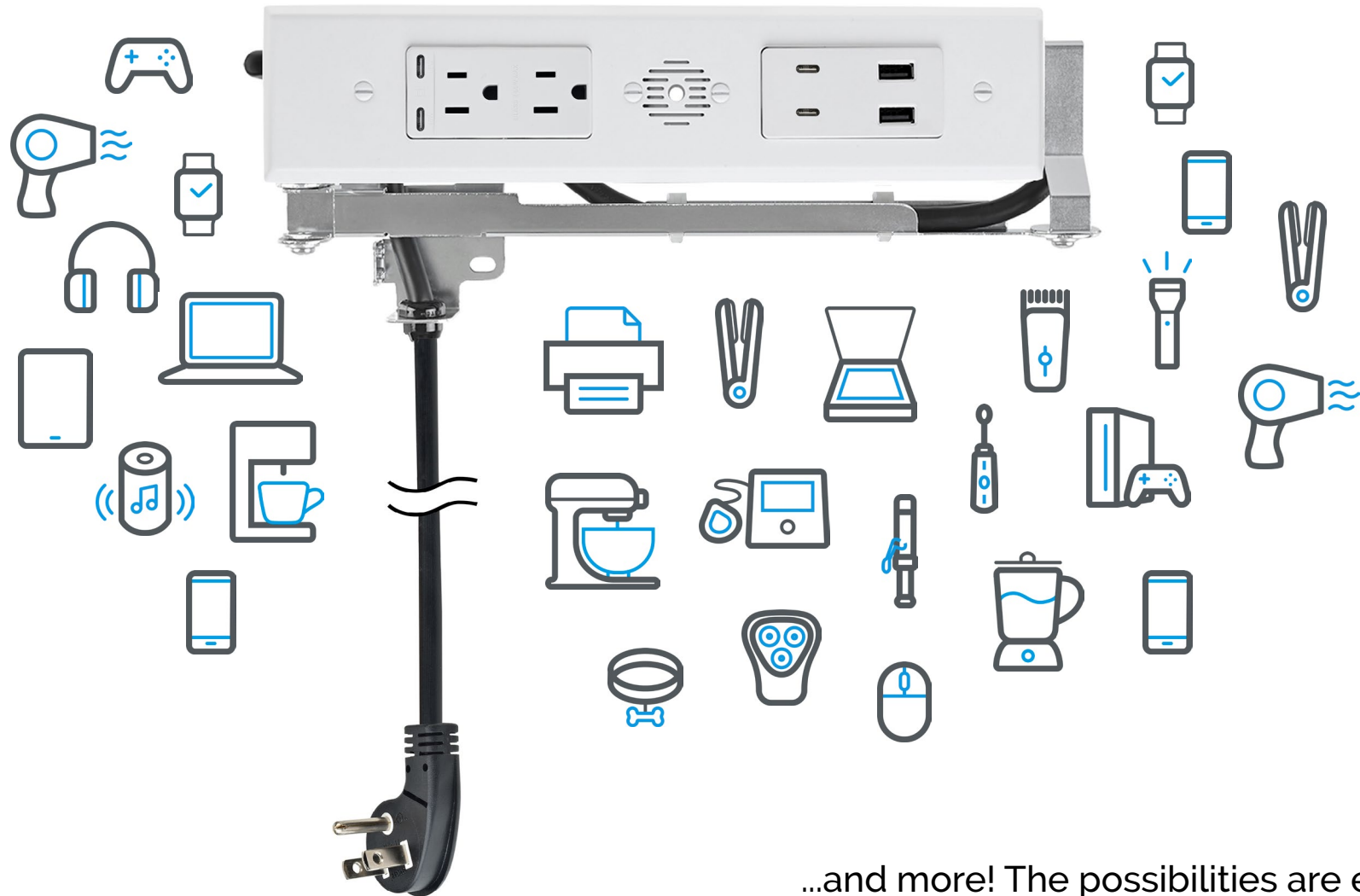
On Location

The tradesperson or homeowner can install on location.

Power Up Your Showroom

Easily display Docking Drawer Blade Series outlets in any showroom in minutes with a [non-functioning mockup outlet kit](#).

Connect any Device Clear Device Clutter from your Life



...and more! The possibilities are endless.

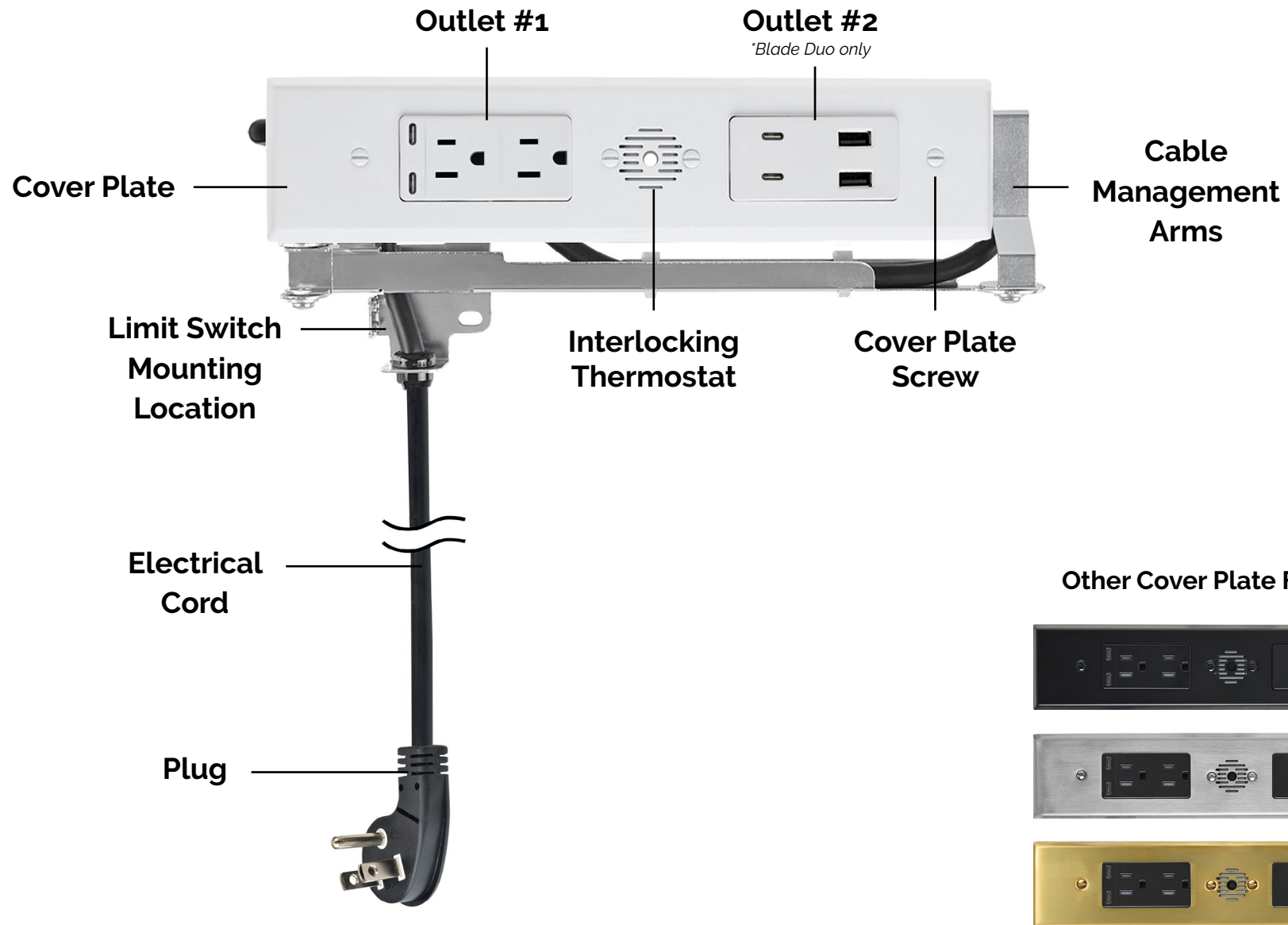
Blade Series Features

Electrical Certification	<u>ETL Listed</u> for use in the US and Canada. Outlets 1514-288 & 1514-180 (are certified for use in Canada). All other Blade Series outlets are ETL Listed for use in Canada when installed with an Interlock Outlet* that de-energizes the outlet when the drawer starts to close <i>*(sold separately)</i>
Interlocking Safety Features	The Interlock Thermostat de-energizes the outlet when the temperature exceeds 120°F (49°C). 15 amp Safety Interlock Outlet with Blade Limit Switch* uses a limit switch to de-energize the outlet when the drawer starts to close. <i>*(sold separately)</i>
Electrical Connection	4 1/2' cord with a NEMA 5-15P plug (All 15 amp Blade Series outlets)
Wire Gauge	14 AWG wire cable (All 15 amp Blade Series outlets)
Cable Protection	Ultra flexible cable jacket and cable strain reliefs prevent tension and wear
Outlet Features	Featuring a variety of configurations including USB-C, USB-A, and AC and can connect between 2-8 devices. All AC outlets are tamper resistant.
Product Testing	Assemblies are cycle tested over 500,000 times to ensure a long life of safe operation
Cover Plate Finishes	White, Black, Stainless Steel, and Brass
Warranty	5 Years
Country of Origin	Made in Mexico
Service	If needed, the outlet can be easily separated from the drawer box for maintenance or service

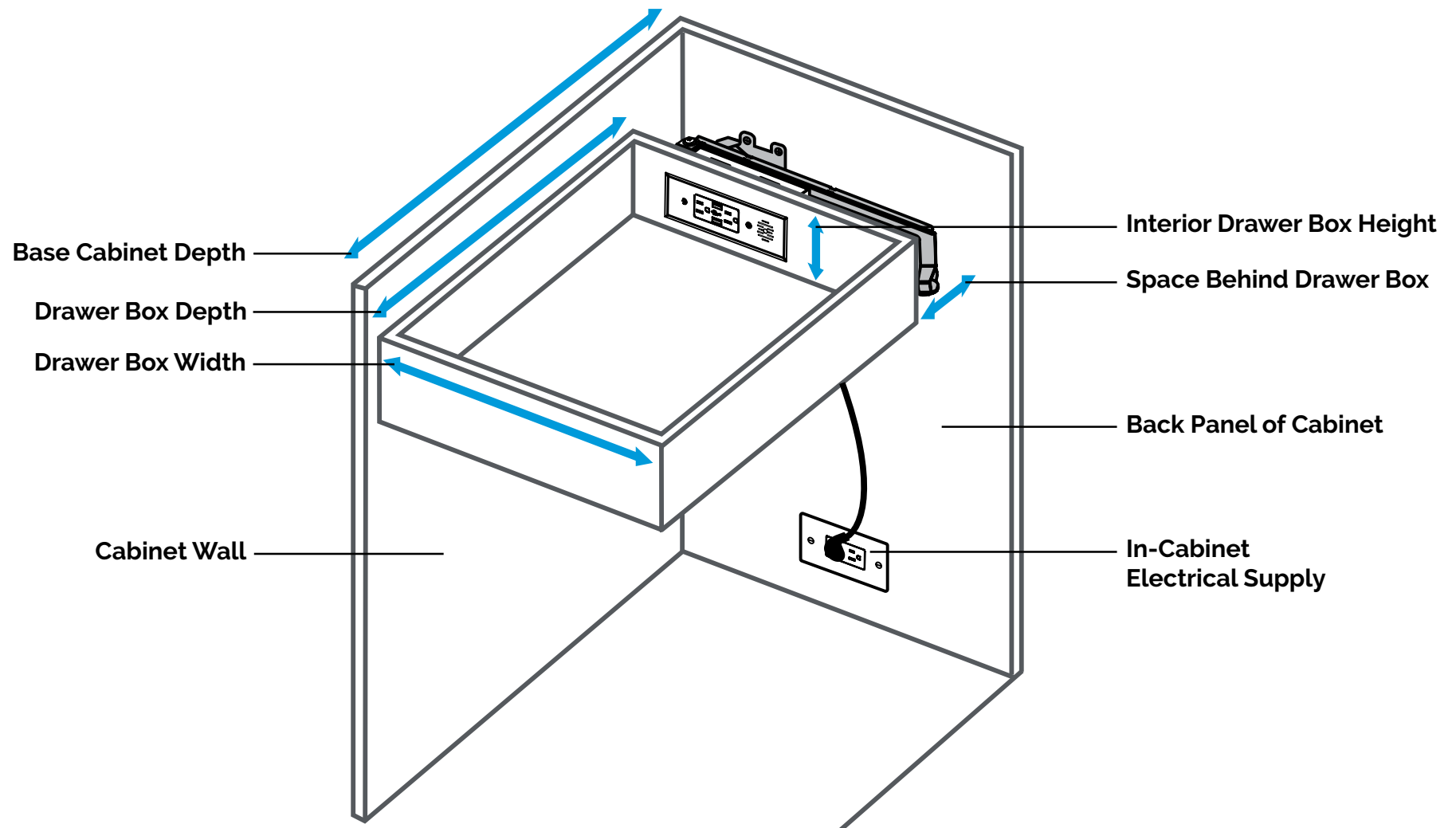
Can't find what you're looking for? [Ctrl or Cmmd + F](#)

How to Choose a Docking Drawer Outlet

Meet the Docking Drawer Blade Outlet Anatomy



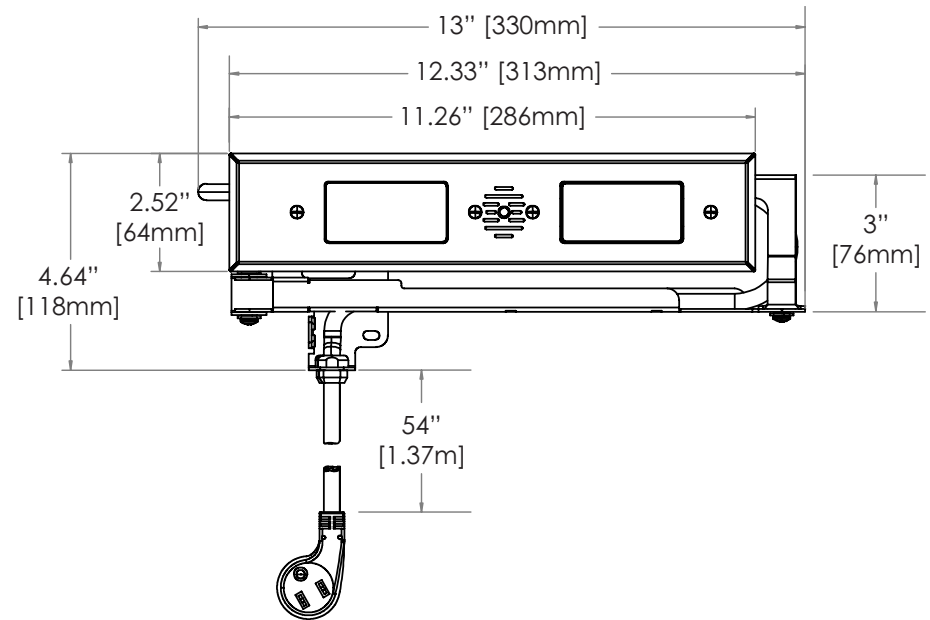
Your Cabinet Key Components to Understand



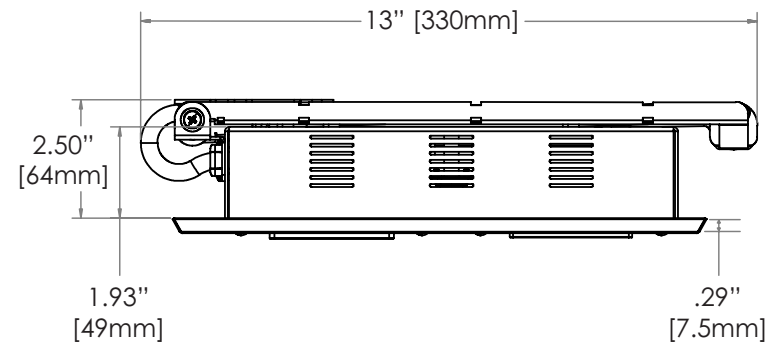
Docking Drawer Blade Duo Outlet Dimensions

Outlet Width	13" (330mm)
Outlet Height	4.64" (118mm)
Outlet Depth	2.5" (64mm)
Receptacle Box Depth	1.93" (49mm)
Cover Plate Height	2.52" (64mm)
Cover Plate Width	11.26" (286mm)
Cover Plate Thickness	.29" (7.5mm)
Cable Management Arms Height	3" (76mm)
Cord Length (15 amp)	54" (1.37m) <i>10' cord available</i>
Cord Length (20 amp)	36" (.9m)

Front View

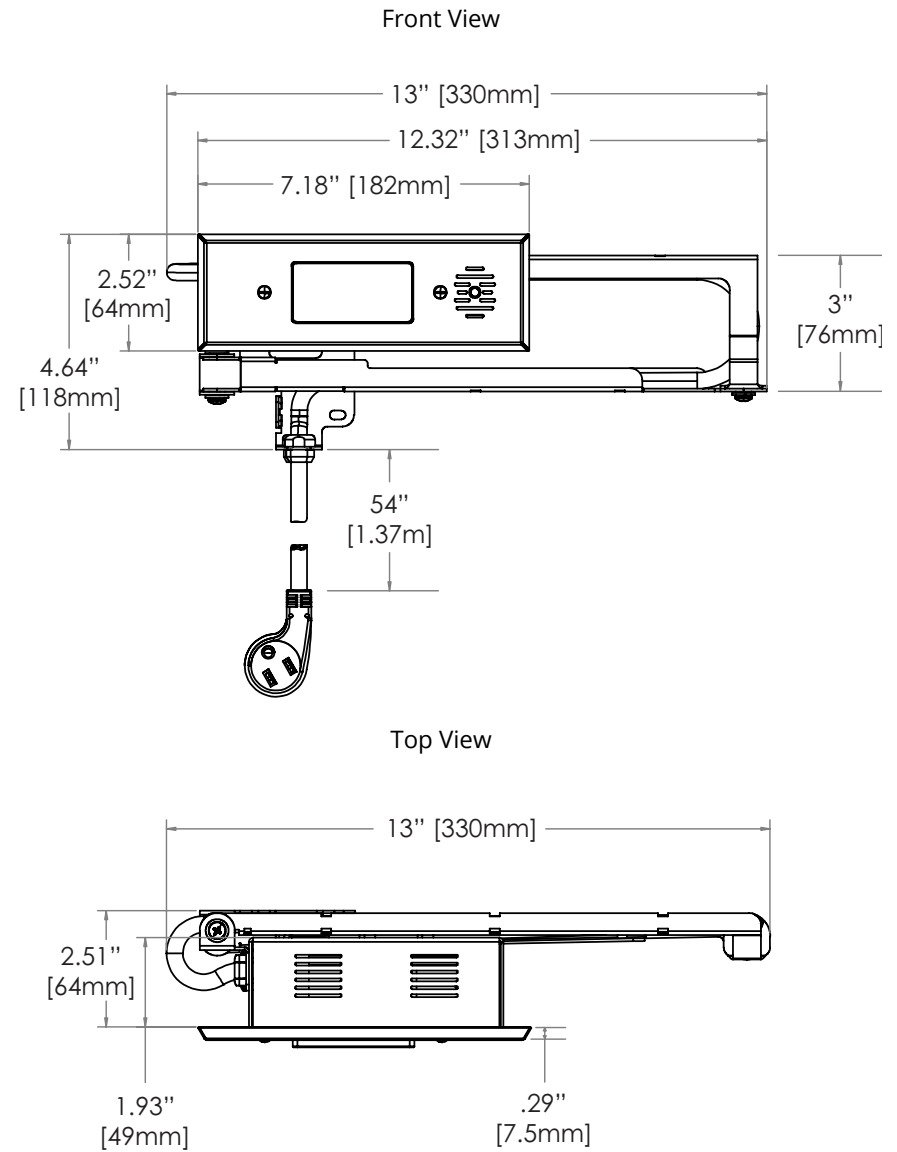


Top View



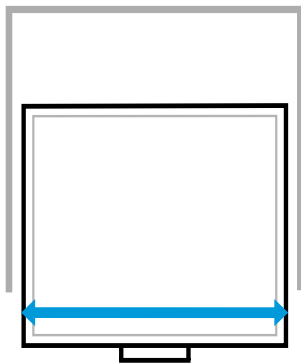
Docking Drawer Blade Outlet Dimensions

Outlet Width	13" (330mm)
Outlet Height	4.64" (118mm)
Outlet Depth	2.5" (64mm)
Receptacle Box Depth	1.93" (49mm)
Cover Plate Height	2.52" (64mm)
Cover Plate Width	7.18" (182mm)
Cover Plate Thickness	.29" (7.5mm)
Cable Management Arms Height	3" (76mm)
Cord Length (15 amp)	54" (1.37m) <i>10' cord available</i>
Cord Length (20 amp)	36" (.9m)



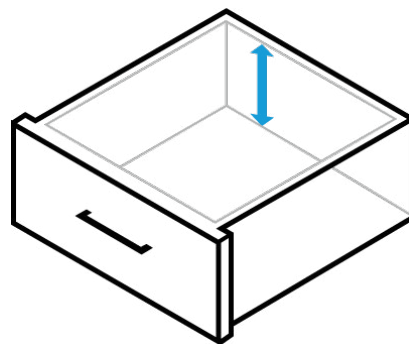
Step 1: Measure the Drawer Box 4 Key Measurements Needed

1



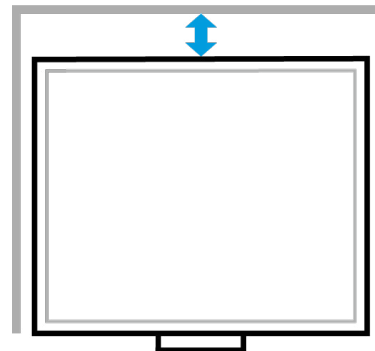
Drawer Box Width
(Outer Dimension)

2



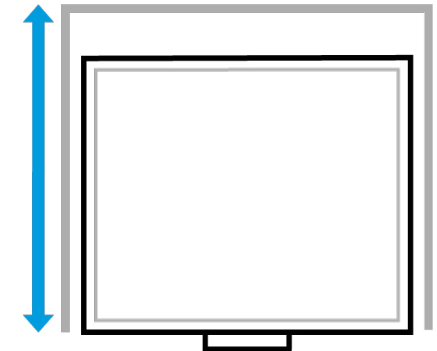
Interior Drawer
Box Height

3



Space Behind
the Drawer Box

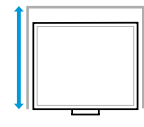
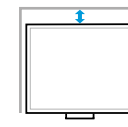
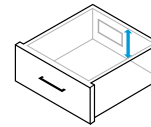
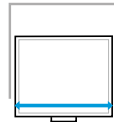
4

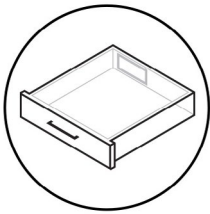
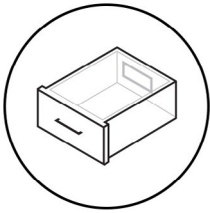
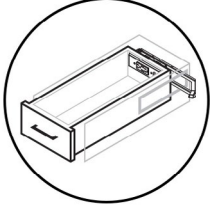
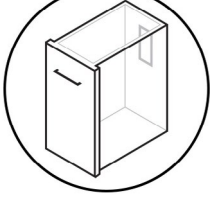


Base Cabinet
Depth

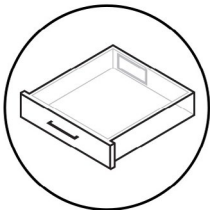
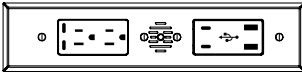
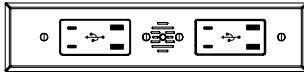
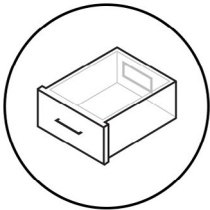
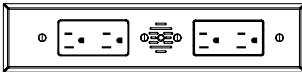

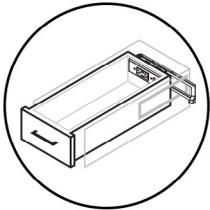
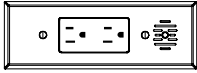
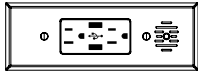
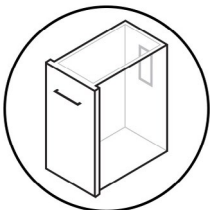
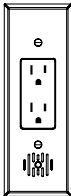
Step 2: 4 Types of Drawers

Identify if you have a Shallow, Tall, Narrow, Vertical Drawer



	Minimum Drawer Box Width (Outer Dimension)	Minimum Interior Drawer Box Height	Minimum Space Behind Drawer Box	Maximum Base Cabinet Depth
 <p>Shallow Drawer Most often found in kitchens, closets, offices, side tables, entryway tables, and retail projects.</p>	15" or more	3" or more	2" or more	24" or less
 <p>Tall Drawer Most often found in bathroom vanities and with above-glide mounting.</p>	13" or more	4" or more	2" or more	24" or less
 <p>Narrow Drawer Most often found in bathroom vanities and with over-glide mounting. Requires a channel to be cut in the cabinet sidewall.</p>	9" or more	4" or more	2" or more	24" or less
 <p>Vertical Drawer Most often found in bathroom vanities and kitchen pull outs.</p>	8" or more	13" or more	2" or more	24" or less

Choose Our Most Popular Outlets By Drawer Type

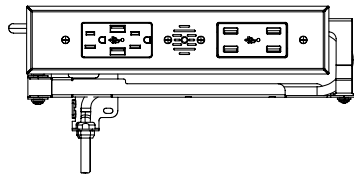
	Application	Most Popular Outlets	
 <p>Shallow Drawer Most often found in kitchens, closets, offices, side tables, entryway tables, and retail projects.</p>	Kitchen	 Blade Duo 1514-278	 Blade Duo 1514-288
 <p>Tall Drawer Most often found in bathroom vanities and with above-glide mounting.</p>	Vanity	 Blade Duo 1514-266	 Blade 1514-160
 <p>Narrow Drawer Most often found in bathroom vanities and with over-glide mounting. Requires a channel to be cut in the cabinet sidewall.</p>	Vanity	 Blade 1514-160	 Blade 1514-110
 <p>Vertical Drawer Most often found in bathroom vanities and kitchen pull outs.</p>	Vanity	 Blade 1514-160	

Outlet Orientation Horizontal Mounting

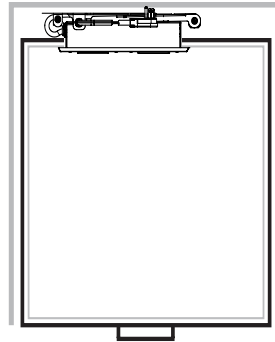
Blade and Blade Duo outlets can be mounted horizontally and facing to the left or right.

Horizontal Left

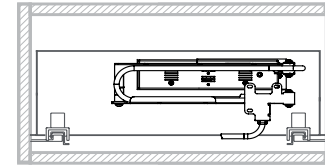
Front View



Top View



Rear View

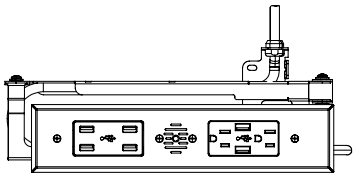


Pro Tip

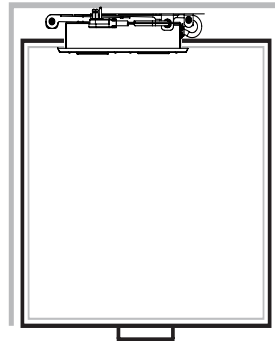
Blade Series outlets can be rotated 360 degrees, facing left, right, up or down, referring to the cord exit point. Ex: Horizontal left - the receptacle box is horizontal and the cord exits on the left side of the outlet.

Horizontal Right

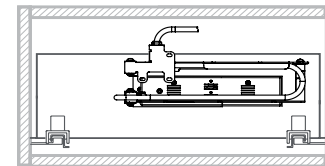
Front View



Top View



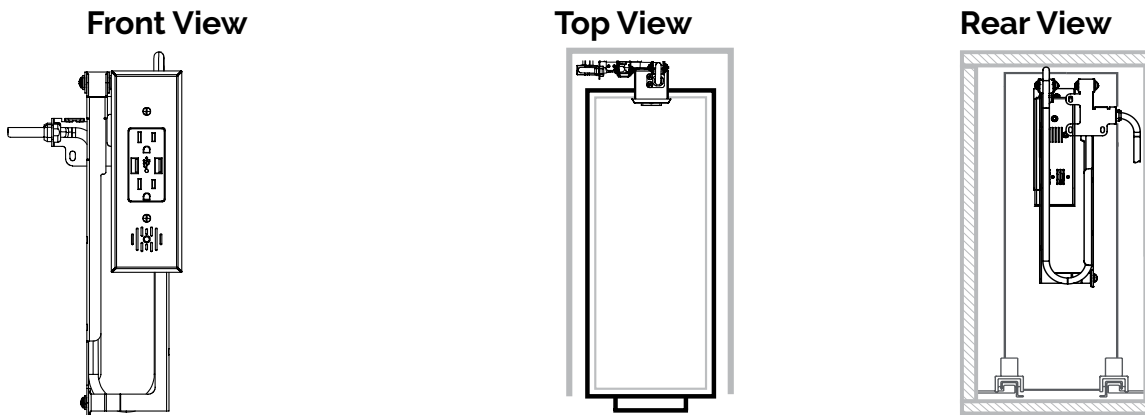
Rear View



Outlet Orientation Vertical Mounting

Blade and Blade Duo outlets can be mounted vertically and facing to up or down.

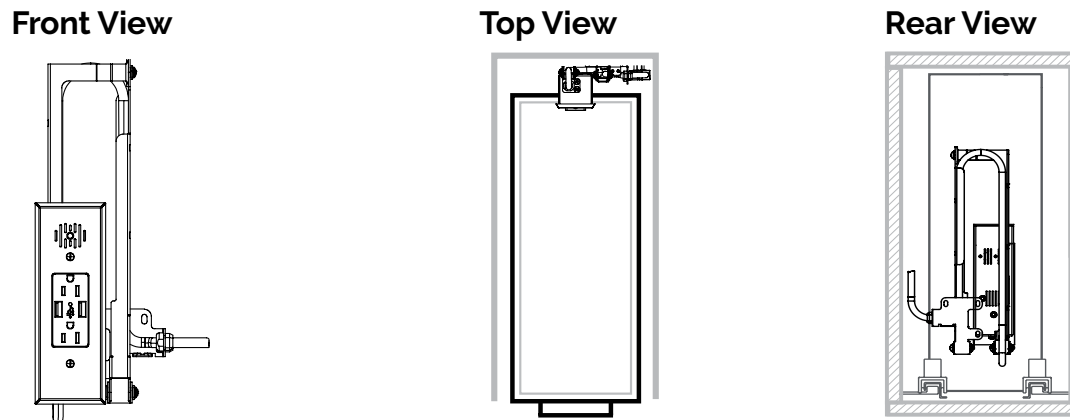
Vertical Up



Pro Tip

Blade Series outlets can be rotated 360 degrees, facing left, right, up or down, referring to the cord exit point. Ex: Vertical Up - the receptacle box is vertical and the cord exits on the top side of the outlet.

Vertical Down


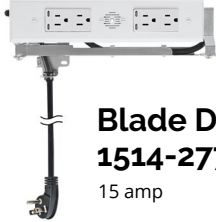




Can't find what you're looking for? [Ctrl or Cmmd + F](#)




Blade Series In-Drawer Outlet Collection

Part Numbers for 15 amp Blade Duo Series Outlets (1514-2xx)

FASTEST - 65W USB-C




 <p>Blade Duo 1514-278W 15 amp</p> <p>○ 1514-278W ● 1514-278B ○ 1514-278S</p> <p>(2) 65W USB-C & (2) 30W USB-C, (2) USB-A, & (2) AC</p>	 <p>Blade Duo 1514-277W 15 amp</p> <p>○ 1514-277W ● 1514-277B ○ 1514-277S</p> <p>(4) 65W USB-C & (4) AC</p>	 <p>Blade Duo 1514-272W 15 amp</p> <p>○ 1514-272W ● 1514-272B ○ 1514-272S</p> <p>(2) 65W USB-C, (4) USB-A, & (2) AC</p>	 <p>Blade Duo 1514-217W 15 amp</p> <p>○ 1514-217W ● 1514-217B ○ 1514-217S</p> <p>(2) 65W USB-C, (2) USB-A, & (4) AC</p>
---	---	--	---

FAST - 30W USB-C

 <p>Blade Duo 1514-238W 15 amp</p> <p>○ 1514-238W ● 1514-238B ○ 1514-238S</p> <p>(4) 30W USB-C, (2) USB-A, & (2) AC</p>	 <p>Blade Duo 1514-288W 15 amp</p> <p>○ 1514-288W ● 1514-288B ○ 1514-288S</p> <p>(4) 30W USB-C & (4) USB-A</p>	 <p>Blade Duo 1514-233W 15 amp</p> <p>○ 1514-233W ● 1514-233B ○ 1514-233S</p> <p>(4) 30W USB-C & (4) AC</p>	 <p>Blade Duo 1514-232W 15 amp</p> <p>○ 1514-232W ● 1514-232B ○ 1514-232S</p> <p>(2) 30W USB-C, (4) USB-A, & (2) AC</p>	 <p>Blade Duo 1514-213W 15 amp</p> <p>○ 1514-213W ● 1514-213B ○ 1514-213S</p> <p>(2) 30W USB-C, (2) USB-A, & (4) AC</p>
--	---	---	--	--

Part Numbers for 15 amp Blade Duo Series Outlets (1514-2xx)

SLOW - USB-A

 <p>Blade Duo 1514-222W 15 amp</p> <ul style="list-style-type: none">○ 1514-222W● 1514-222B● 1514-222S <p>(8) USB-A</p>	 <p>Blade Duo 1514-212W 15 amp</p> <ul style="list-style-type: none">○ 1514-212W● 1514-212B● 1514-212S <p>(6) USB-A & (2) AC</p>	 <p>Blade Duo 1514-211W 15 amp</p> <ul style="list-style-type: none">○ 1514-211W● 1514-211B● 1514-211S <p>(4) USB-A & (4) AC</p>
---	--	---

ALL AC - NO USB

BEST SELLER








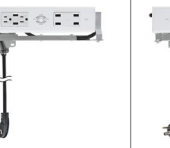



**Blade Duo
1514-266W**
15 amp

- 1514-266W
- 1514-266B
- 1514-266S

(4) AC


15 amp Blade Duo Comparison Chart

	1514-288 	1514-278 	1514-277 	1514-266 	1514-233 	1514-222 	1514-213 	1514-212 	1514-211 
Configuration	(4) 30W USB-C & (4) USB-A	(2) 65W USB-C & (2) 30W USB-C, (2) USB-A, & (2) AC	(4) 65W USB-C & (4) AC	(4) AC	(4) 30W USB-C & (4) AC	(4) USB-A	(2) 30W USB-C, (2) USB-A, & (4) AC	(6) USB-A & 2 (AC)	(4) USB-A & (4) AC
USB-C Ports	4	4	4	0	4	0	2	0	0
USB-A Ports	4	2	0	0	0	4	2	6	4
AC Outlets	0	2	4	4	4	0	4	2	4
15 amp	Yes	Yes	Yes	Yes	Yes	Yes	Yes	Yes	Yes
Available with 20 amp	N/A	2012-278	2012-277	2012-266	2012-233	N/A	2012-213	2012-212	2012-211
Compatible with Safety Interlock Outlet	N/A	Yes with Blade Limit Switch	Yes with Blade Limit Switch	Yes with Blade Limit Switch	Yes with Blade Limit Switch	N/A	Yes with Blade Limit Switch	Yes with Blade Limit Switch	Yes with Blade Limit Switch
Interlock Safety Feature	Interlocking Thermostat								
Electrical Connection	NEMA 5-15P								
ETL Listed	Yes								
Compatible with Soft Close Guides	Yes								
Finish	Black, White, Stainless Steel, Brass								
Warranty	5 Year								

Part Numbers for 15 amp Blade Series Outlets (1514-1x0)

FASTEST - 65W USB-C

BEST SELLER




**Blade Duo
1514-170W**
15 amp

- 1514-170W
- 1514-170B
- 1514-170S

(2) 65W USB-C & (2) AC

FAST - 30W USB-C

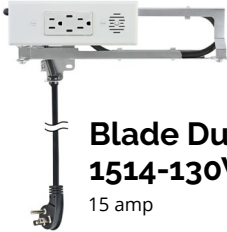
BEST SELLER



**Blade Duo
1514-180W**
15 amp

- 1514-180W
- 1514-180B
- 1514-180S

(2) 30W USB-C
& (2) USB-A




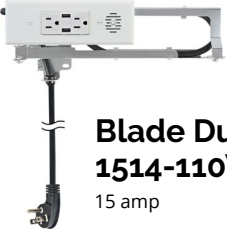
**Blade Duo
1514-130W**
15 amp

- 1514-130W
- 1514-130B
- 1514-130S


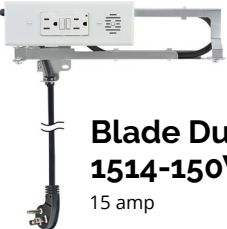
(2) 30W USB-C & (2) AC

Part Numbers for 15 amp Blade Series Outlets (1514-1x0)






SLOW - USB-A

 <p>Blade Duo 1514-120W 15 amp</p> <p><input type="radio"/> 1514-120W <input checked="" type="radio"/> 1514-120B <input type="radio"/> 1514-120S</p> <p>(4) USB-A</p>	 <p>Blade Duo 1514-110W 15 amp</p> <p><input type="radio"/> 1514-110W <input checked="" type="radio"/> 1514-110B <input type="radio"/> 1514-110S</p> <p>(2) USB-A & (2) AC</p>
---	--

ALL AC - NO USB

 <p>Blade Duo 1514-160W 15 amp</p> <p><input type="radio"/> 1514-160W <input checked="" type="radio"/> 1514-160B <input type="radio"/> 1514-160S</p> <p>(2) AC</p>	 <p>Blade Duo 1514-150W 15 amp</p> <p><input type="radio"/> 1514-150W <input checked="" type="radio"/> 1514-150B <input type="radio"/> 1514-150S</p> <p>(2) AC - GFCI</p>
---	--

15 amp Blade Comparison Chart

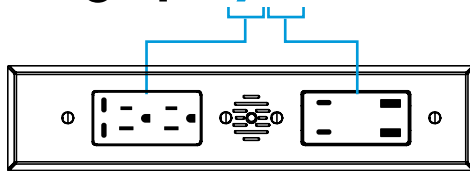
	 1514-170	 1514-160	 1514-180	 1514-150	 1514-110
Configuration	(2) 65W USB-C & (2) AC	(2) AC	(2) 30W USB-C & (2) USB-A	(2) AC GFCI	(2) USB-A & (2) AC
USB-C Ports	2	0	2	0	0
USB-A Ports	0	0	2	0	2
AC Outlets	2	2	0	2	2
15 amp	Yes	Yes	Yes	Yes	Yes
Available with 20 amp	2012-170	2012-160	N/A	2012-150	2012-110
Compatible with Safety Interlock Outlet	Yes with Blade Limit Switch				
Interlock Safety Feature	Interlocking Thermostat				
Electrical Connection	NEMA 5-15P				
ETL Listed	Yes				
Narrow Drawer Tip	Yes				
Compatible with Soft Close Guides	Yes				
Finish	Black, White, Stainless Steel, Brass				
Warranty	5 Year				

Outlet Configuration Options for 15 amp Blade Series Outlets

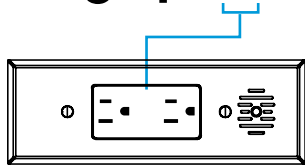
In addition to our 4 top selling outlets, we offer a variety of additional options. Mix and match configurations to create the best solution to fit the needs of your project.

Select a Blade Duo or Blade








ex: **1514-278**



ex: **1514-160**

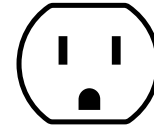


Then, Select Any Outlet

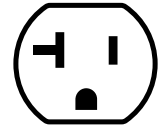
#	Outlet Configuration	Outlet Specifications
1	 (2) USB-A & (2) AC	AC: 15 amps @ 120 VAC USB-A: 3.6 amps @ 5 VDC
2	 (4) USB-A	4.2 amps @ 5 VDC
3	 (2) 30W USB-C & (2) AC	AC: 15 amps @ 120 VAC USB-C (single port connected to PD device): 3 amps @ 9 VDC (30W) USB-C (single port connected to non-PD device): 3 amps @ 5 VDC (15W) USB-C (both ports connected): 3 amps @ 5 VDC (30W total power)
5	 (2) AC - GFCI	15 amps @ 120 VAC
6	 (2) AC	15 amps @ 120 VAC
7	 (2) 65W USB-C & (2) AC	AC: 15 amps @ 120 VAC USB-C (PD): 65 Watt Shared USB-C (single port connected to PD device): 65W 5V/3A; 9V/3A; 12V/3A; 15V/3A; 20V/3.25A USB-C (both ports connected to PD devices): 65W total C1/C2: 5V/3A; 9V/3A; 12V/2.5A; 15V/2A; 20V/1.5A
8	 (2) 30W USB-C & (2) USB-A	USB-C (PD) 30 Watt Shared USB-C (single port connected to PD device): 30W max 5V/3A; 9V/3A; 12V/2.5A; 15V/2A; 20V/1.5A USB-C (both ports connected): 15W each port C1: 5V/3A C2: 5V/3A USB-A (max with one or both ports connected) 12W total 5v/2.4A

How to Choose Between 15 & 20 amp Outlets

15 amp Docking Drawer Blade Series outlets are our most popular configuration. They can be plugged into any outlet and will charge and power every type of device, including hair dryers, cell phones, and more. Need 20 amp solutions? We have you covered as each 15 amp outlet has a 20 amp equivalent.



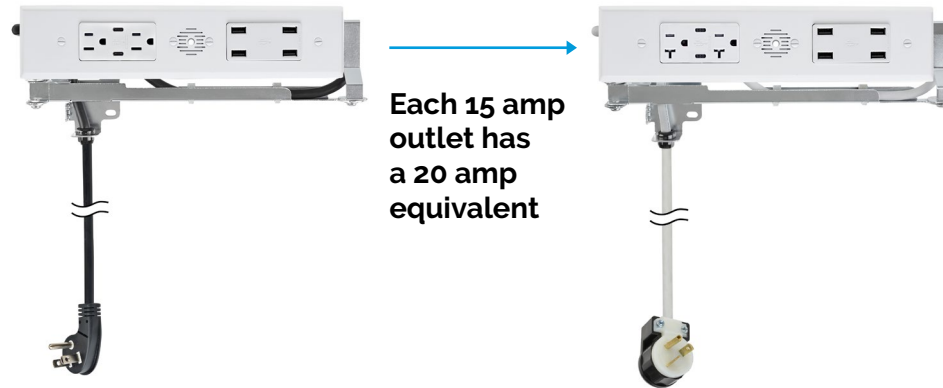
15 amp



20 amp

Variety of Configurations

Choose from 15 amp or 20 amp outlets.



Pro Tip

15 amp outlets will power any type of devices including hair dryers, printers, mixers and charge every type of device like cell phones, tablets, and laptops. When in doubt whether to specify a Blade Series 15 amp or 20 amp outlet, specify a 15 amp. 15 amp plugs can be plugged into both a 15 amp and a 20 amp outlet, but a 20 amp plug can ONLY be plugged into a 20 amp outlet.

How do you know if your project requires a 15 amp or 20 amp outlet?

Ask Your Electrician

Your electrician can provide a definite answer on what will work for your project.

Look at the wall receptacle

If your wall receptacle looks like this, specify a 20 amp Blade Series.

20 amp outlets have a T-Shaped prong



Not sure? Specify 15 amp




15 amp Blade Series outlets can function when plugged into 15 or 20 amp wall receptacles.

Do I Need a 15 or 20 amp Docking Drawer Outlet?


[Learn more here.](#)

Part Numbers for 20 amp Blade Duo Series Outlets (2012-2xx)

FASTEST - 65W USB-C



 <p>Blade Duo 2012-278W 20 amp</p> <p>○ 2012-278W ● 2012-278B ● 2012-278S</p> <p>(2) 65W USB-C & (2) 30W USB-C, (2) USB-A, & (2) AC</p>	 <p>Blade Duo 2012-277W 20 amp</p> <p>○ 2012-277W ● 2012-277B ● 2012-277S</p> <p>(4) 65W USB-C & (4) AC</p>	 <p>Blade Duo 2012-272W 20 amp</p> <p>○ 2012-272W ● 2012-272B ● 2012-272S</p> <p>(2) 65W USB-C, (2) USB-A, & (2) AC</p>
---	---	--

FAST - 30W USB-C

 <p>Blade Duo 2012-238W 20 amp</p> <p>○ 2012-238W ● 2012-238B ● 2012-238S</p> <p>(4) 30W USB-C, (2)USB-A, & (2) AC</p>	 <p>Blade Duo 2012-233W 20 amp</p> <p>○ 2012-233W ● 2012-233B ● 2012-233S</p> <p>(4) 30W USB-C & (4) AC</p>	 <p>Blade Duo 2012-232W 20 amp</p> <p>○ 2012-232W ● 2012-232B ● 2012-232S</p> <p>(2) 30W USB-C, (4) USB-A, & (2) AC</p>
---	--	---

Part Numbers for 20 amp Blade Duo Series Outlets (2012-2xx)

SLOW - USB-A

 Blade Duo 2012-212W 20 amp <ul style="list-style-type: none">○ 2012-212W● 2012-212B● 2012-212S (6) USB-A & (2) AC	 Blade Duo 2012-211W 20 amp <ul style="list-style-type: none">○ 2012-211W● 2012-211B● 2012-211S (4) USB-A, & (4) AC
---	--

ALL AC - NO USB

BEST SELLER


**Blade Duo
2012-266W**
20 amp

- 2012-266W
- 2012-266B
- 2012-266S

(4) AC

Part Numbers for 20 amp Blade Series Outlets (2012-1x0)

FASTEST - 65W USB-C




FAST - 30W USB-C



Part Numbers for 20 amp Blade Series Outlets (2012-1x0)

SLOW - USB-A




Blade Duo
2012-110W
20 amp

- 2012-110W
- 2012-110B
- 2012-110S

(2) USB-A & (2) AC

ALL AC - NO USB


BEST SELLER



Blade Duo
2012-160W
20 amp

- 2012-160W
- 2012-160B
- 2012-160S

(2) AC



Blade Duo
2012-150W
15 amp

- 2012-150W
- 2012-150B
- 2012-150S

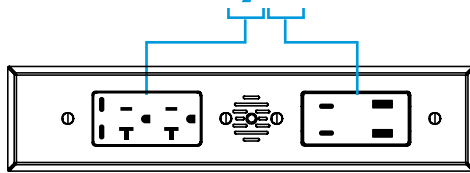
(2) AC - GFCI

Outlet Configuration Options for 20 amp Blade Series Outlets

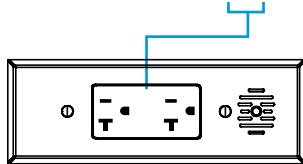
In addition to our 4 top selling outlets, we offer a variety of additional options. Mix and match configurations to create the best solution to fit the needs of your project.

Select a Blade Duo or Blade








ex: **2012-278**



ex: **2012-160**



Then, Select Any Outlet

#	Outlet Configuration	Outlet Specifications
1	 (2) USB-A & (2) AC	AC: 20 amps @ 120 VAC USB-A: 3.6 amps @ 5 VDC
2	 (4) USB-A	4.2 amps @ 5 VDC
3	 (2) 30W USB-C & (2) AC	AC: 20amps @ 120 VAC USB-C (single port connected to PD device): 3 amps @ 9 VDC (30W) USB-C (single port connected to non-PD device): 3 amps @ 5 VDC (15W) USB-C (both ports connected): 3 amps @ 5 VDC (30W total power)
5	 (2) AC - GFCI	20 amps @ 120 VAC
6	 (2) AC	20 amps @ 120 VAC
7	 (2) 65W USB-C & (2) AC	AC: 20 amps @ 120 VAC USB-C (PD): 65 Watt Shared USB-C (single port connected to PD device): 65W 5V/3A; 9V/3A; 12V/3A; 15V/3A; 20V/3.25A USB-C (both ports connected to PD devices): 65W total C1/C2: 5V/3A; 9V/3A; 12V/2.5A; 15V/2A; 20V/1.5A
8	 (2) 30W USB-C & (2) USB-A	USB-C (PD) 30 Watt Shared USB-C (single port connected to PD device): 30W max 5V/3A;9V/3A;12V/2.5A; 15V/2A;20V/1.5A USB-C (both ports connected): 15W each port C1:5V/3A C2:5V/3A USB-A (max with one or both ports connected) 12W total 5v/2.4A

Can't find what you're looking for? **Ctrl or Cmmd + F**

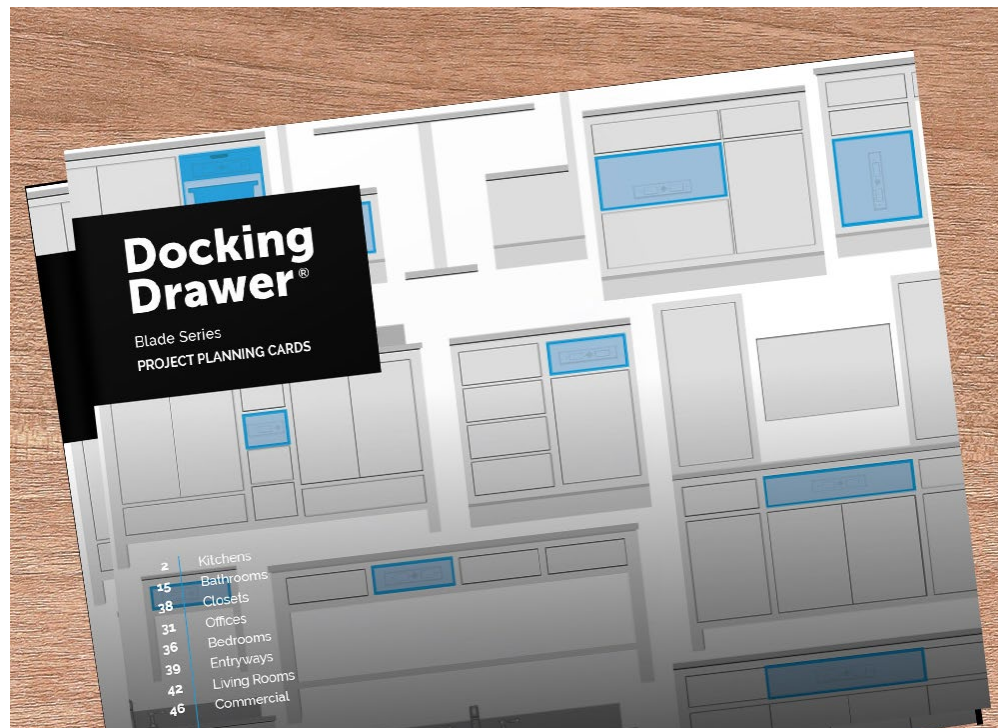
Planning Resources

Planning Resources Project Planning Cards

Project planning cards feature key information on how to include Docking Drawer outlets in a variety of common projects and in a range of orientations and unique applications. Simply [click this link](#) to download now.

Project Planning Cards

See how to specify in-drawer outlets into popular applications.



Pro Tip

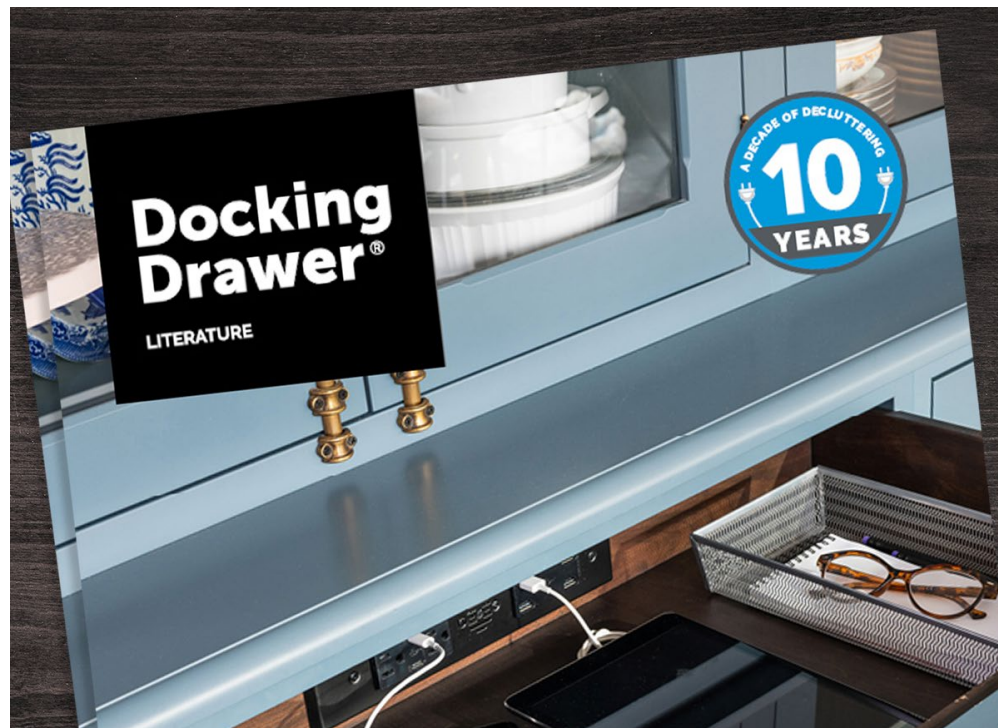
Project Planning Cards are available to download for every outlet at dockingdrawer.com/downloads

Planning Resources Docking Drawer Literature

Our literature visually illustrates Blade Series outlets in lifestyle applications, and highlights product features in a friendly format that's designed for display in showrooms and to share with customers. Simply [click this link](#) to download now.

Literature

Order a Docking Drawer Blade Series literature to share with your team and customers.



Pro Tip

More Project Planning Resources are available to download at dockingdrawer.com/downloads

Planning Resources Tear Sheets

We offer tear sheets for every part number, including key details like product dimensions, specifications and other information in a single-page format that's simple to share with project planners. Simply [click this link](#) to download now.

Tear Sheets

Download PDF Tear Sheets to easily share product summaries with your team.



Pro Tip

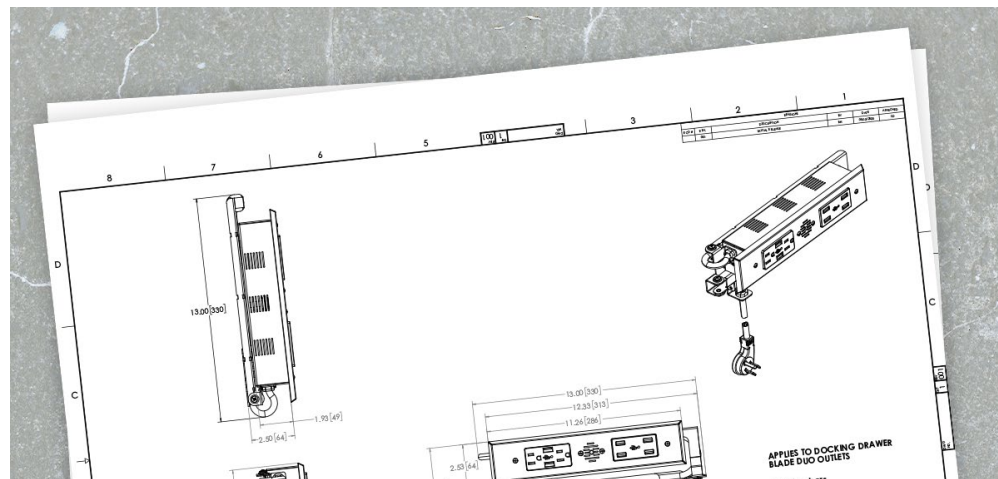
Tear Sheets are available to download for every outlet at dockingdrawer.com/downloads

Planning Resources DXF and STEP files & Mounting Diagrams

Download DXF and Step files to import into project planning software to create and share 2D and 3D renderings of our products in your projects. Simply [click this link](#) to download now.

DXF, STEP and Solidwork Files

Download DXF (2D), STEP (3D), SLDDRW and SLDPRW (Solidwork) files to import into planning programs.

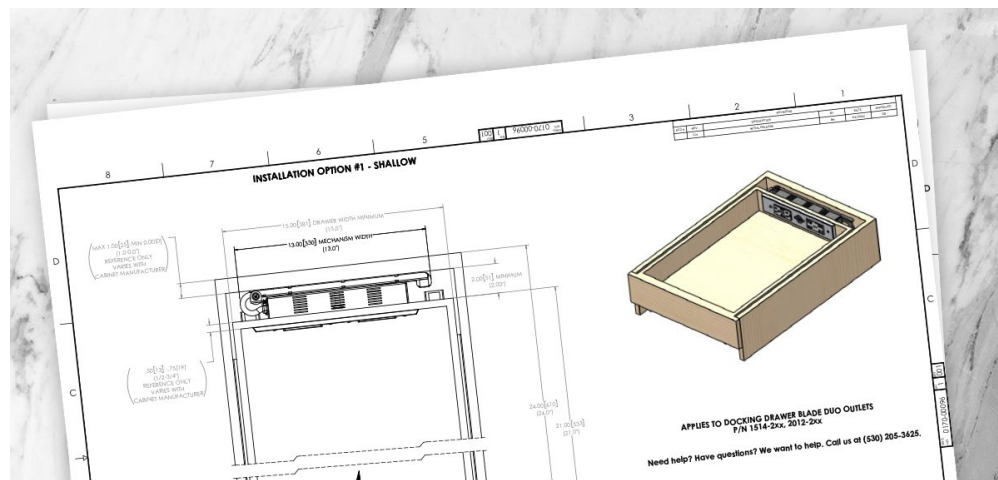


Pro Tip

DXF, STEP and Solidwork files are available to download at dockingdrawer.com/downloads

Mounting Diagrams

Detailed engineering diagrams showing cabinet specifications and how to mount the outlet into the cabinet.



Pro Tip

Mounting Diagrams are available to download at dockingdrawer.com/downloads

Planning Resources Mounting Diagrams for Blum & Grass Drawer Systems

Find detailed information on how to mount Docking Drawer outlets into popular metal drawer boxes by Blum and GRASS. Simply [click this link](#) to download now.



LEGRABOX & TANDEMBOX
drawer systems

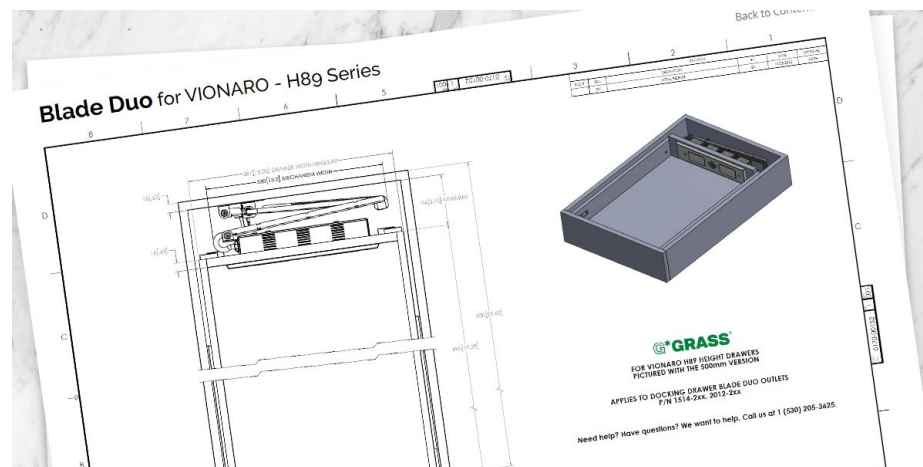


Pro Tip

Mounting Diagrams are available to download at dockingdrawer.com/downloads



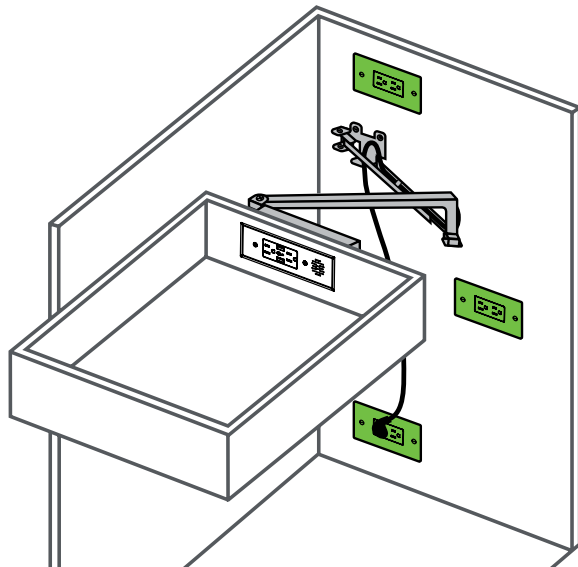
Vionaro & Nova Pro Scala
drawer systems



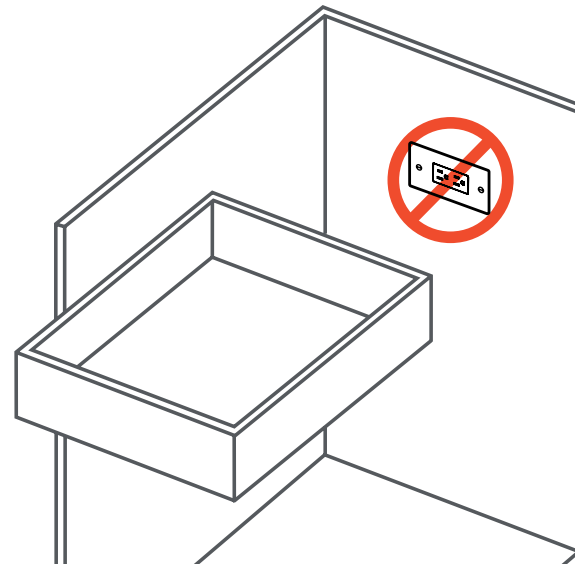
Planning Resources Locating In-Cabinet Power

Locating in-cabinet power is simple. The in-cabinet outlet needs to be within 4.5 feet of the Blade Series 1514-XXX outlet rear mounting bracket and within 3 feet of the Blade Series 2012-XXX outlet rear mounting bracket.

Recommended Locations for the In-Cabinet Electrical Supply



Where NOT to Locate the In-Cabinet Electrical Supply



*Items marked in green are not included

Need GFCI?

Simply plug any Blade Series outlet into a GFCI outlet or circuit to give the Docking Drawer Blade Series outlet GFCI properties.

Prefer the Docking Drawer Blade series outlet to include a GFCI outlet? Specify a 1514-150 or 2012-150.

Pro Tip

In-cabinet outlets can also be installed on the side wall of cabinets, if needed.

Installation Spec Book for Blade Series Outlets

SHARE WITH INDUSTRY PROFESSIONALS

40

Specify by Drawer Type

- Overview
- Shallow Drawers
 - Shallow Drawers with Centered Installations
- Tall Drawers
 - Tall Drawers with Centered Installations
- Narrow Drawers
 - Narrows Drawers in Vanities
 - Narrow Drawers and Side Channels
- Vertical Drawers
 - Pull Out Organizers
 - Short Vertical Drawers

53

Pro Tips

- Minimal Space Behind the Drawer Box
- Minimal Drawer Box Height
- Multiple Outlets in Stacked Drawers

66

Installation Resources

- Deep Cabinet Outlets
- Blade Duo Deep Cabinet Outlet Dimensions
- Blade Deep Cabinet Outlet Dimension
- 10' Cord Solutions
- Installation Manuals
- Cutout Templates
- Installation Videos

69

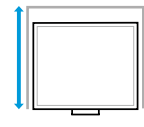
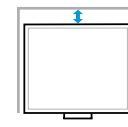
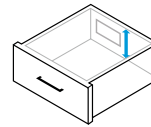
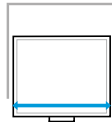
Electrical Installation Guide

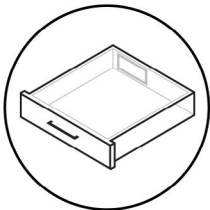
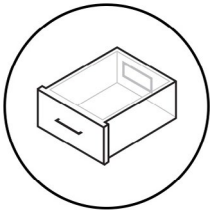
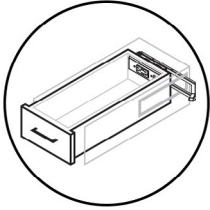
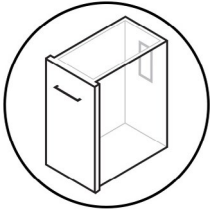
- Locating In-Cabinet Power
- Connecting In-Cabinet Power
- GFCI
- Surge Protection
- Electrical Certifications

Can't find what you're looking for? **Ctrl or Cmmd + F**

Specify by Drawer Type

4 Drawer Types Shallow, Tall, Narrow, Vertical

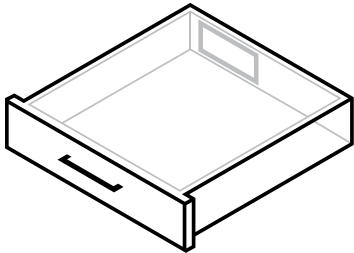


		Minimum Drawer Box Width (Outer Dimension)	Minimum Interior Drawer Box Height	Minimum Space Behind Drawer Box	Maximum Base Cabinet Depth
 <p>Shallow Drawer Most often found in kitchens, closets, offices, side tables, entryway tables, and retail projects.</p>		15" or more	3" or more	2" or more	24" or less
 <p>Tall Drawer Most often found in bathroom vanities and with above-glide mounting.</p>		13" or more	4" or more	2" or more	24" or less
 <p>Narrow Drawer Most often found in bathroom vanities and with over-glide mounting. Requires a channel to be cut in the cabinet sidewall.</p>		9" or more	4" or more	2" or more	24" or less
 <p>Vertical Drawer Most often found in bathroom vanities and kitchen pull outs.</p>		8" or more	13" or more	2" or more	24" or less

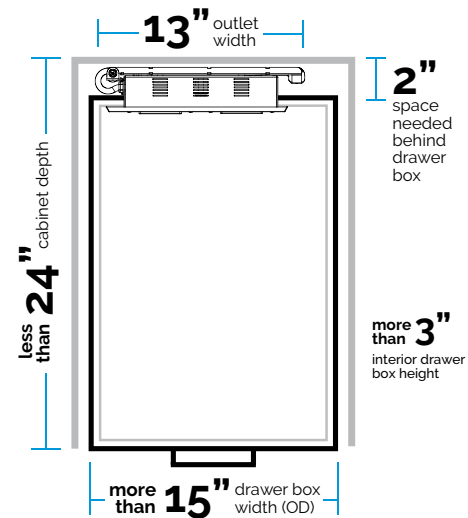
Shallow Drawer Type Minimum Cabinet Specifications

Shallow Drawer

Between Glide Mounting



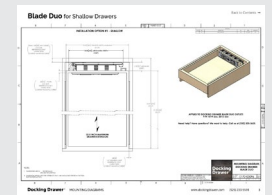
Outlet Width	13"
Minimum Drawer Box Width (Outer Dimension)	15" or more
Minimum Interior Drawer Box Height	3" or more
Minimum Space Behind Drawer Box	2" or more
Maximum Base Cabinet Depth	24" or less



Pro Tip

Most often found in kitchens, closets, offices, side tables, entryway tables, and retail projects.

[Download Mounting Diagrams →](#)

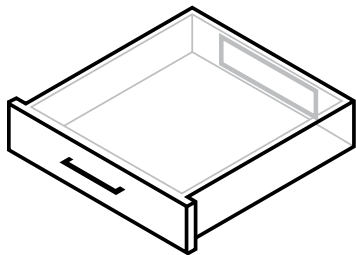


Most Popular Outlet:
[15 amp Blade Duo In Drawer Outlet](#)
[1514-278](#)

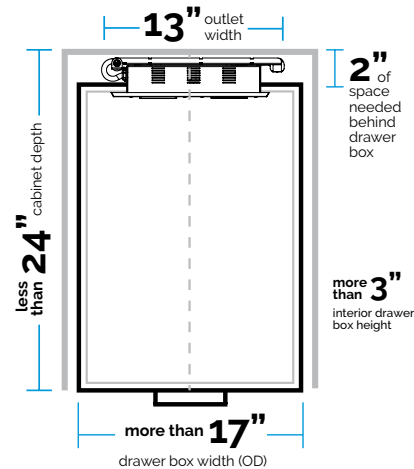
Shallow Drawer Type Installation Example: Centered Blade Series Outlets

Docking Drawer Blade Series outlets can be installed so that the cover plate is centered in the drawer box. This requires the following minimum drawer box widths.

Shallow Drawer Blade Duo



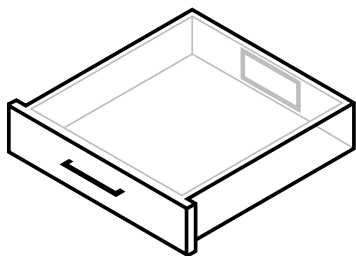
Outlet Width	13"
Minimum Drawer Box Width (Outer Dimension)	17" or more
Minimum Interior Drawer Box Height	3" or more
Minimum Space Behind Drawer Box	2" or more
Maximum Base Cabinet Depth	24" or less



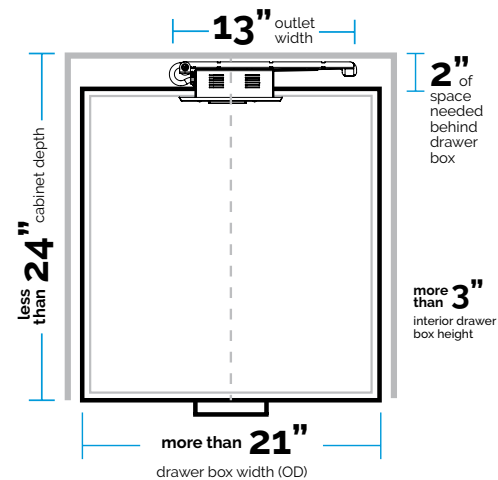
Pro Tip

For more installation examples, visit dockingdrawer.com/project-cards

Shallow Drawer Blade



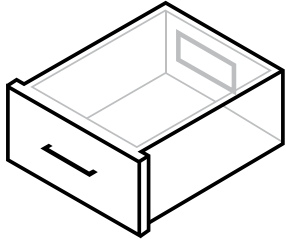
Outlet Width	13"
Minimum Drawer Box Width (Outer Dimension)	21" or more
Minimum Interior Drawer Box Height	3" or more
Minimum Space Behind Drawer Box	2" or more
Maximum Base Cabinet Depth	24" or less



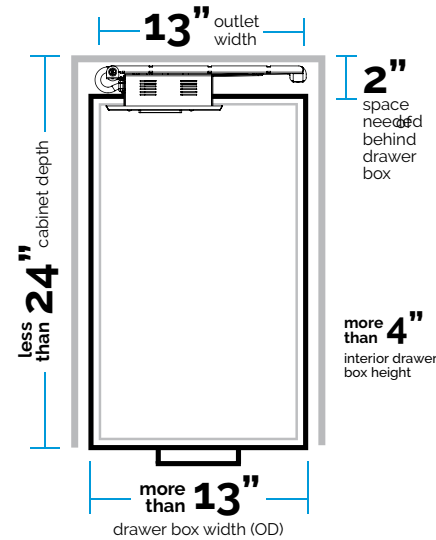
Tall Drawer Type Minimum Cabinet Specifications

Tall Drawer

Above Glide Mounting



Outlet Width	13"
Minimum Drawer Box Width (Outer Dimension)	13" or more
Minimum Interior Drawer Box Height	4" or more
Minimum Space Behind Drawer Box	2" or more
Maximum Base Cabinet Depth	24" or less



Pro Tip

Most often found in bathroom vanities when the outlet is mounted above the drawer glides.

[Download Mounting Diagrams →](#)



Most Popular Outlets:

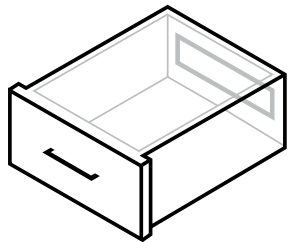
[15 amp Blade Duo In Drawer Outlet 1514-266](#)

[15 amp Blade In Drawer Outlet 1514-160](#)

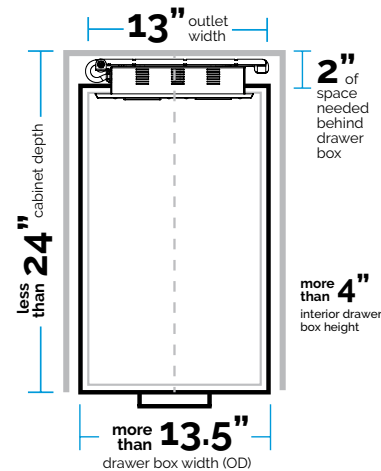
Tall Drawer Type Installation Example: Centered Blade Series Outlets

Docking Drawer Blade Series outlets can be installed so that the cover plate is centered in the drawer box. This requires the following minimum drawer box widths.

Tall Drawer Blade Duo



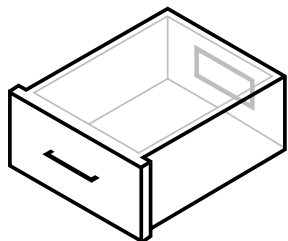
Outlet Width	13"
Minimum Drawer Box Width (Outer Dimension)	13.5" or more
Minimum Interior Drawer Box Height	4" or more
Minimum Space Behind Drawer Box	2" or more
Maximum Base Cabinet Depth	24" or less



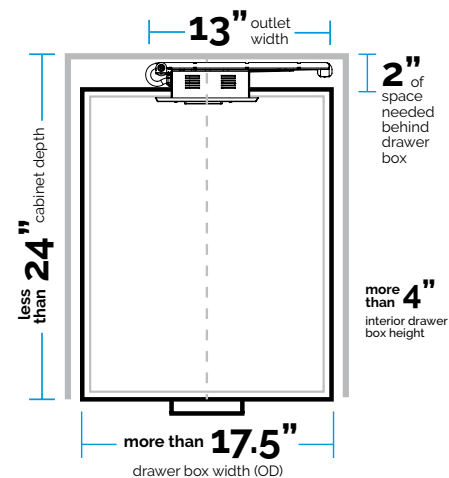
Pro Tip

For more installation examples, visit dockingdrawer.com/project-cards

Tall Drawer Blade

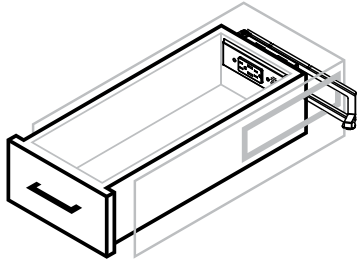


Outlet Width	13"
Minimum Drawer Box Width (Outer Dimension)	17.5" or more
Minimum Interior Drawer Box Height	4" or more
Minimum Space Behind Drawer Box	2" or more
Maximum Base Cabinet Depth	24" or less

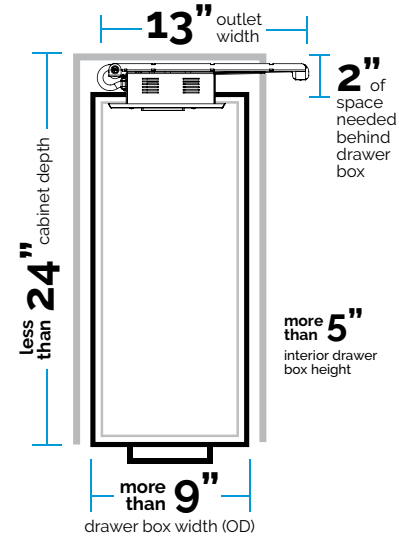


Narrow Drawer Type Minimum Cabinet Specifications

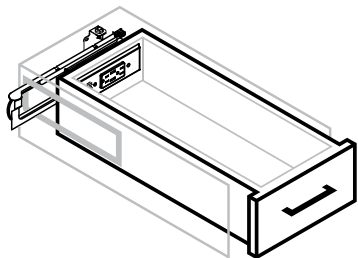
Narrow Drawer Right Side Channel



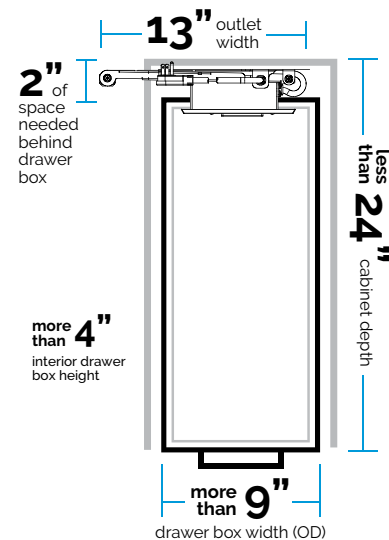
Outlet Width	13"
Minimum Drawer Box Width (Outer Dimension)	9" or more
Minimum Interior Drawer Box Height	5" or more
Minimum Space Behind Drawer Box	2" or more
Maximum Base Cabinet Depth	24" or less



Narrow Drawer Left Side Channel



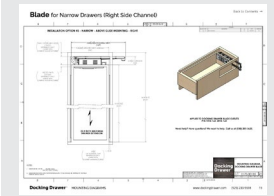
Outlet Width	13"
Minimum Drawer Box Width (Outer Dimension)	9" or more
Minimum Interior Drawer Box Height	4" or more
Minimum Space Behind Drawer Box	2" or more
Maximum Base Cabinet Depth	24" or less



Pro Tip

Most often found in bathroom vanities and mounted over glides. Requires a channel to be cut in the cabinet sidewall.

[Download Mounting Diagrams →](#)

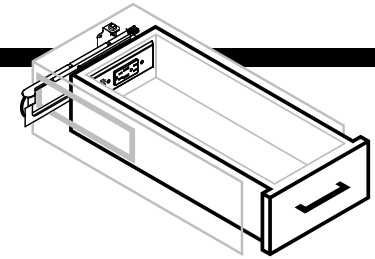


[Download Mounting Diagrams →](#)



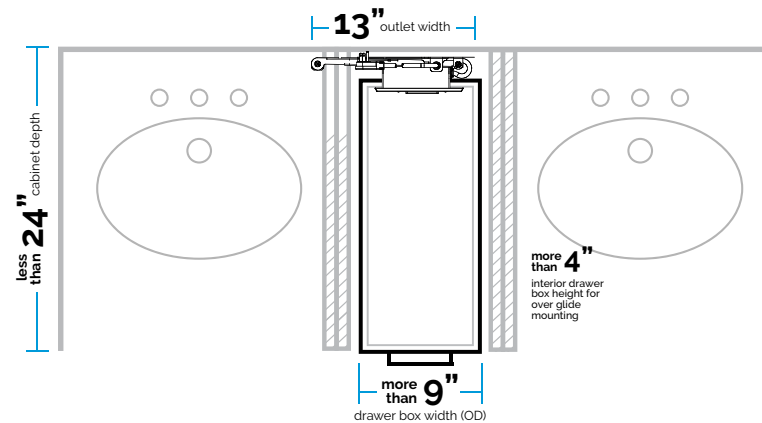
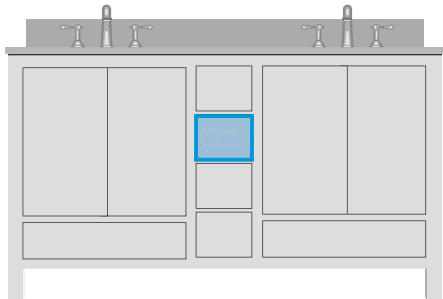
Most Popular Outlet:
15 amp Blade In
Drawer Outlet
1514-160

Narrow Drawer Type Installation Example: Vanity Drawer



Docking Drawer Blade Series outlets can be specified into vanity drawers as narrow as 9" by creating a channel in the cabinet sidewall to allow space for the cable management arms to move freely.

Double Sink Vanity



Pro Tip

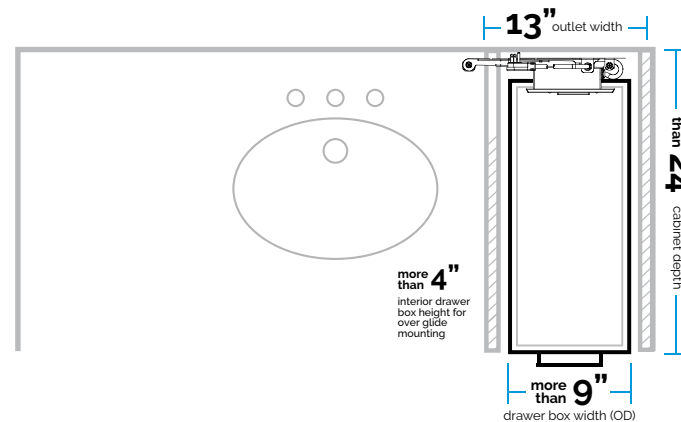
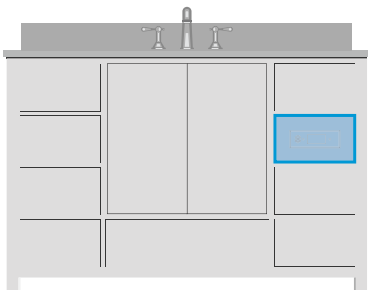
Make sure the narrow drawer is tall enough to hold hot tools.

Studies show the top drawer is used for everyday items like a toothbrush, comb, etc. while the second drawer is the most popular drawer for hot tools, such as hair dryers and curling irons.

Q: Can I add Docking Drawer to a 12" Wide Drawer?

A: Yes! [See the blog.](#)

Single Sink Vanity

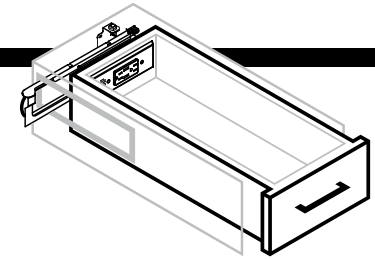


Need GFCI?

Plug a Blade Series outlet into a GFCI wall receptacle and pass on the GFCI properties to the in-drawer outlet.

Most Popular Outlet:
[15 amp Blade In Drawer Outlet 1514-160](#)

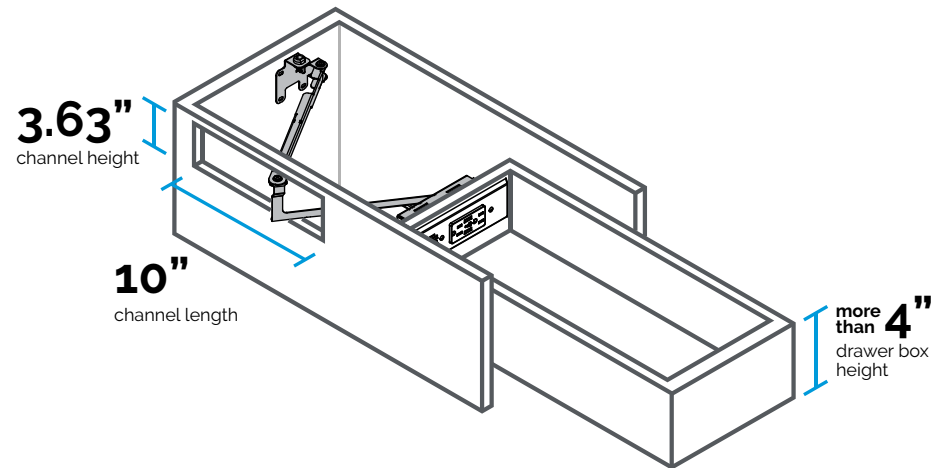
Narrow Drawer Type Installation Examples: Left Side Channel



Docking Drawer Blade Series outlets can be left mounted into vanity drawers as narrow as 9" by flipping the outlet and creating a channel in the left cabinet sidewall to allow space for the cable management arms to move freely.

Left Side Channel

The outlet may be flipped so that the channel is on the left side of the cabinet wall.



Pro Tip

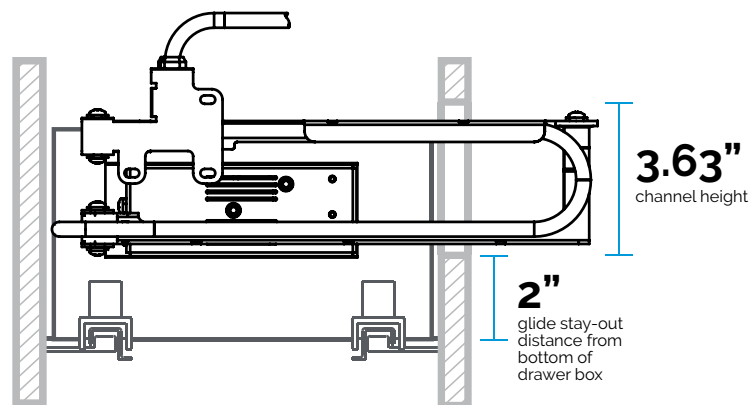
Make sure the outlet is mounted high enough in the drawer box to ensure the cable management arms clear the drawer glides.

If the drawer is over 9" wide, the channel length can be less than 10" in length.

Docking Drawer Blade is ideal for Narrow Drawer installations. The Blade cover plate is 7.18" wide and it fits into a 9" wide (OD) drawer box. Docking Drawer Blade Duo cover plate is 11.26" wide and fits best into 13" wide tall drawer boxes or 15" wide shallow drawer boxes.

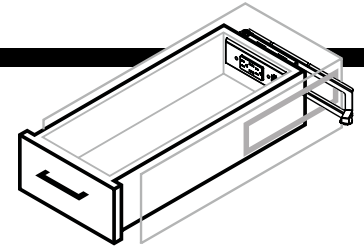
Rear View

Ensure the cable management guides are mounted high enough to clear the drawer glides.



Most Popular Outlet:
[15 amp Blade In Drawer Outlet 1514-160](#)

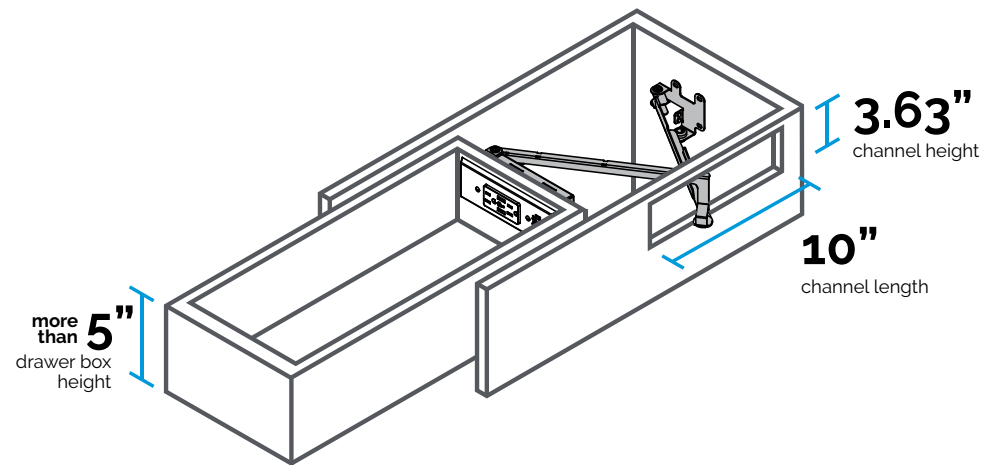
Narrow Drawer Type Installation Examples: Right Side Channel



Docking Drawer Blade Series outlets can be right mounted into vanity drawers as narrow as 9" by creating a channel on the right cabinet sidewall to allow space for the cable management arms to move freely.

Right Side Channel

The channel dimensions for the cable management arms vary depending on your cabinet layout. In this example, the channel space needed is 3.63" x 10".



Pro Tip

Make sure the outlet is mounted high enough in the drawer box to ensure the cable management arms clear the drawer glides.

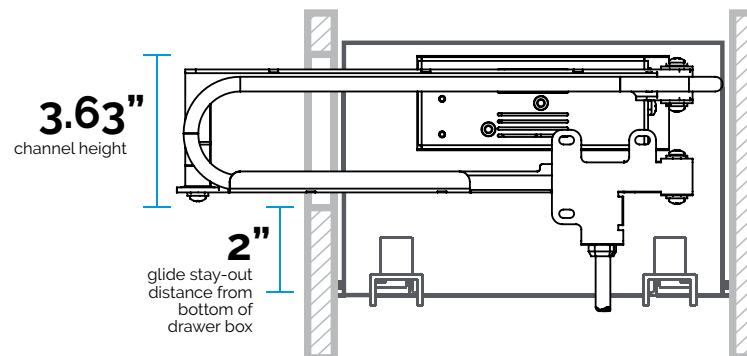
If the drawer is over 9" wide, the channel length can be less than 10" in length.

Docking Drawer Blade outlets are ideal for Narrow Drawer installations. The Blade cover plate is 7.18" wide and it fits into a 9" wide (OD) drawer box. Docking Drawer Blade Duo cover plate is 11.26" wide and fits best into 13" wide tall drawer boxes or 15" wide shallow drawer boxes.

Most Popular Outlet:
15 amp Blade In Drawer Outlet 1514-160

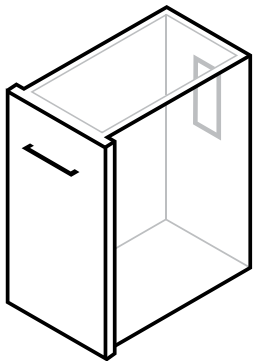
Rear View

Ensure the cable management guides are mounted high enough to clear the drawer glides.

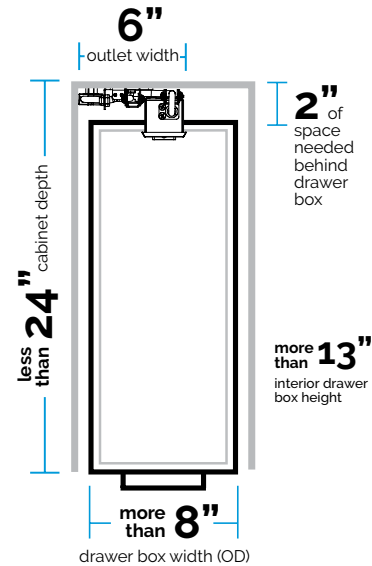


Vertical Drawer Type Minimum Cabinet Specifications

Vertical Drawers



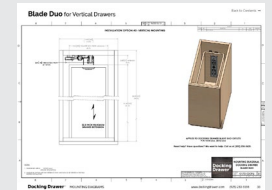
Outlet Width	6"
Minimum Drawer Box Width (Outer Dimension)	8" or more
Minimum Interior Drawer Box Height	13" or more
Minimum Space Behind Drawer Box	2" or more
Maximum Base Cabinet Depth	24" or less



Pro Tip

Most often found in bathroom vanities and kitchen pull outs. If the vertical drawer is less than 13" tall, a channel can be cut into the bottom of the cabinet to utilize the toe kick space. Refer to [page 49](#) for additional details.

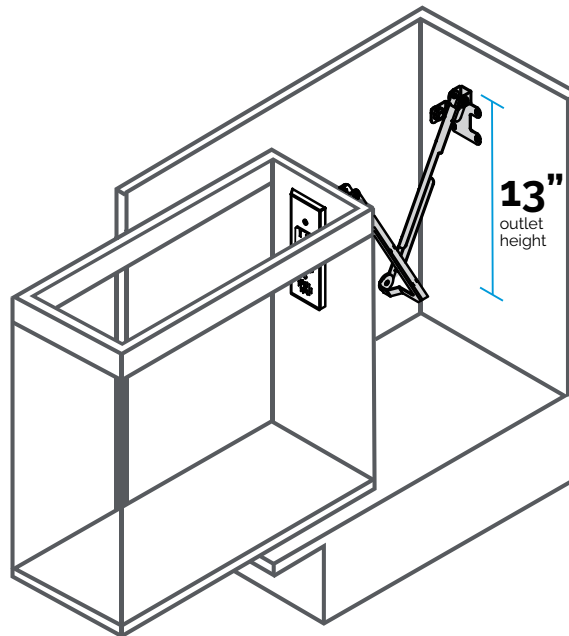
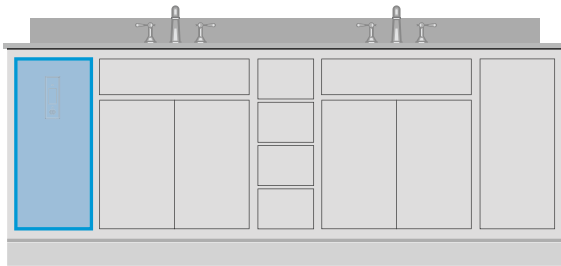
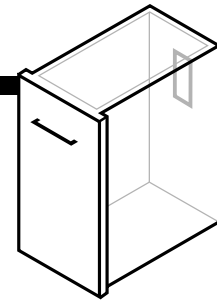
[Download Mounting Diagrams](#) →



Most Popular Outlet:
[15 amp Blade In Drawer Outlet 1514-160](#)

Vertical Drawer Type Installation Example: Pull Out Organizer

Docking Drawer Blade Series outlets can be specified into tall vanity pull out organizers to create a dedicated space to stow and power hair dryers and other accessories while keeping vanity countertops clear of cord and device clutter.



Pro Tip

The ideal location for in-cabinet power supply is the lower left or right corner of the cabinet. This ensures that the cord does not interfere with the in-drawer outlet or the slides.

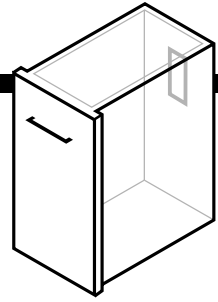
Docking Drawer Canisters are perfect for creating functional spaces while safely storing hot tools. [Shop Now](#)

Using a Rev-A-Shelf Grooming Organizer [like this?](#) Refer to our How To Guide [here](#).

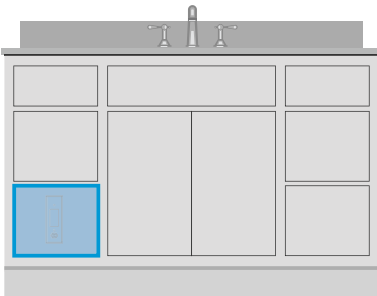
Need mounting diagrams? Download resources at dockingdrawer.com/downloads

Most Popular Outlet:
[15 amp Blade In Drawer Outlet 1514-160](#)

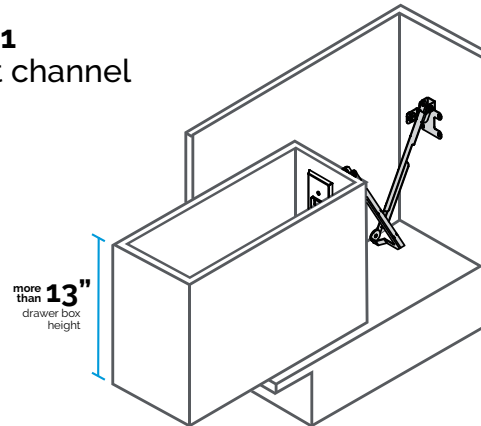
Vertical Drawer Type Installation Example: Short Vertical Drawer



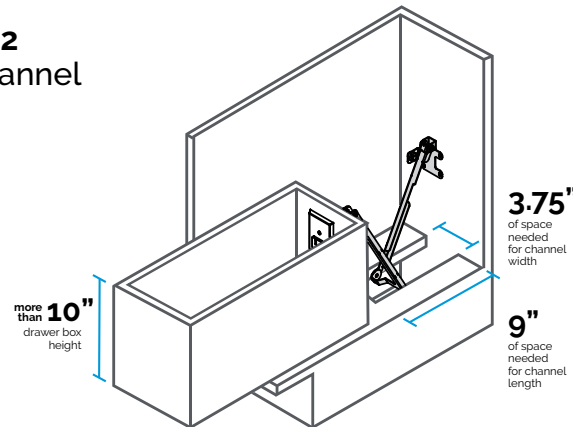
Docking Drawer Blade Series outlets can be specified into bathroom drawers as short as 10" by creating a channel on the bottom of the cabinet to allow space for the cable management arms.



Option 1
without channel



Option 2
with channel



Pro Tip

The ideal location for in-cabinet power supply is the lower left or right corner of the cabinet. This ensures that the cord does not interfere with the in-drawer outlet or the slides.

To install the in-drawer outlet into a shallow vertical drawer, utilize the empty space in the toe kick as seen in Option 2 to make room for the cable management arms to function.

[Download Mounting Diagrams →](#)



Most Popular Outlet:
[15 amp Blade In Drawer Outlet 1514-160](#)

Can't find what you're looking for? **Ctrl or Cmmd + F**

Pro Tips

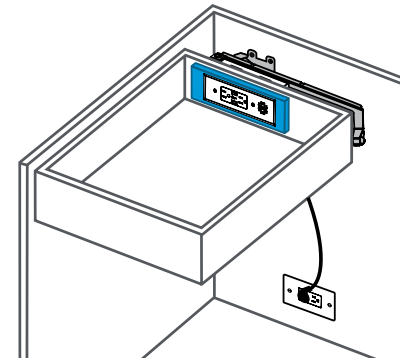
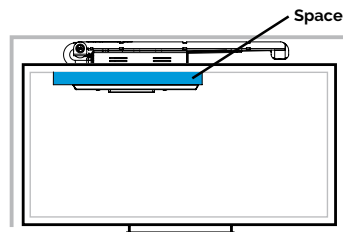
Minimal Space Behind the Drawer Box Installation Technique #1

Create a Spacer (1.25" to 2" Behind the Drawer Box)

You can create a spacer to move the Docking Drawer Blade series outlet further into the drawer box. Spacers can range in length and depth to create a wide range of installation options.

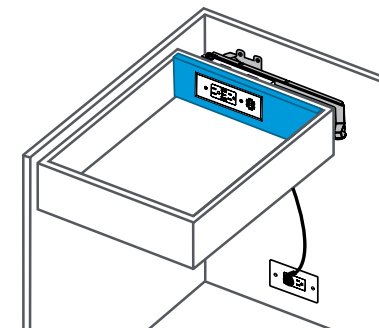
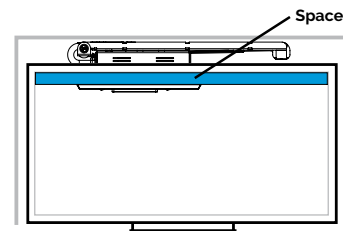
Minimal Width Spacer

Spacer Installation Technique



Full Width Spacer

Spacer Installation Technique



Pro Tip

The outlet cutout for this installation technique is larger than the standard Blade outlet cutout. Refer to [Mounting Diagrams - Minimal Space Behind Drawer Box](#) for spacer and cutout dimensions.

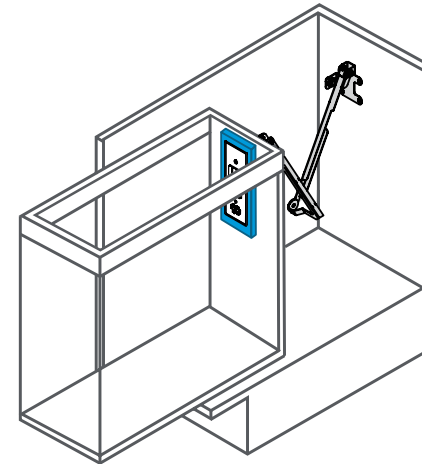
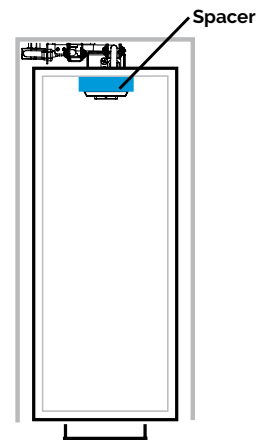
Minimal Space Behind the Drawer Box Installation Technique #1

Create a Spacer (1.25" to 2" Behind the Drawer Box)

You can create a spacer to move the Docking Drawer Blade series outlet further into the drawer box. Spacers can range in length and depth to create a wide range of installation options.

Minimal Width Spacer

Spacer Installation
Technique



Pro Tip

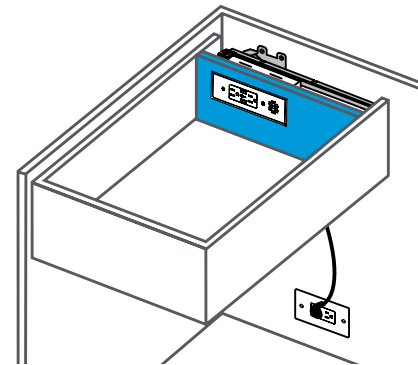
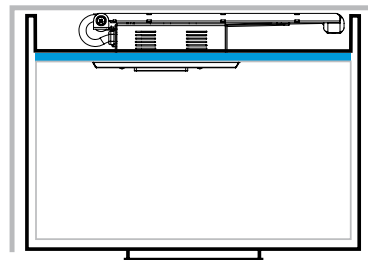
The outlet cutout for this installation technique is larger than the standard Blade outlet cutout. Refer to [Mounting Diagrams - Minimal Space Behind Drawer Box](#) for spacer and cutout dimensions.

Minimal Space Behind the Drawer Box Installation Technique #2

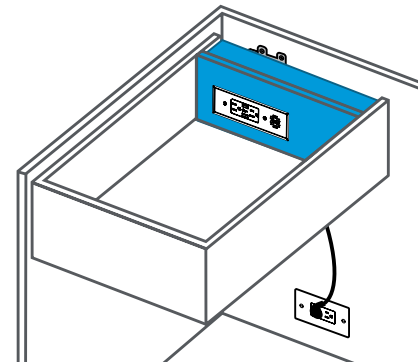
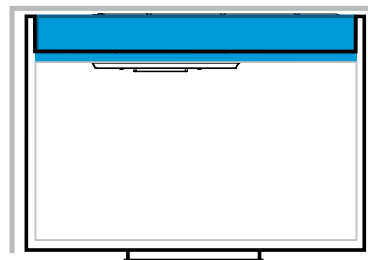
Reposition the back of the drawer box (0" - 2" Behind the Drawer Box)

A new drawer back can be added to move the Docking Drawer Blade series outlet further into the drawer box. For a neater look, cover from the new drawer back panel to the rear of the drawer box so you will not see the mechanical parts of the in-drawer outlet behind the back panel.

**Repositioned
Drawer Box
Without Cover**
Installation Technique



**Repositioned
Drawer Box
With Cover**
Installation Technique



Pro Tip

Read more about [shortening the drawer box](#).

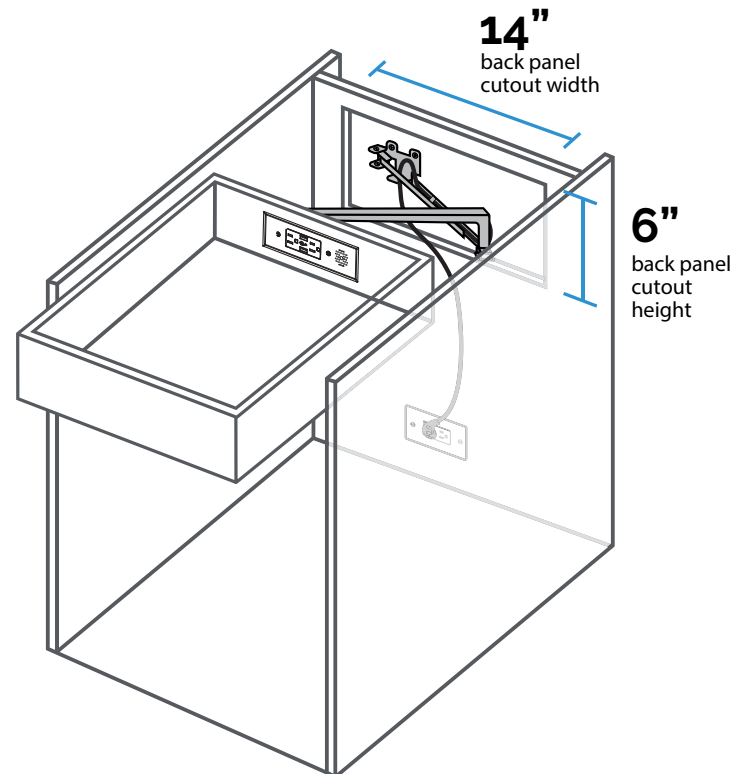
Minimal Space Behind the Drawer Box Installation Technique #3

Use space behind the cabinet (0" - 2" Behind the Drawer Box)

The back panel of the cabinet can be removed to utilize the extra space. If there is a filler gap between the back panel of your cabinets and the drywall, add a cutout to utilize that space and mount the Docking Drawer bracket directly to the drywall.

Drywall Installation Technique

Using #8 Drywall Anchors



Pro Tip

Closet cabinetry doesn't have a back, Docking Drawer outlets can be mounted to the wall.

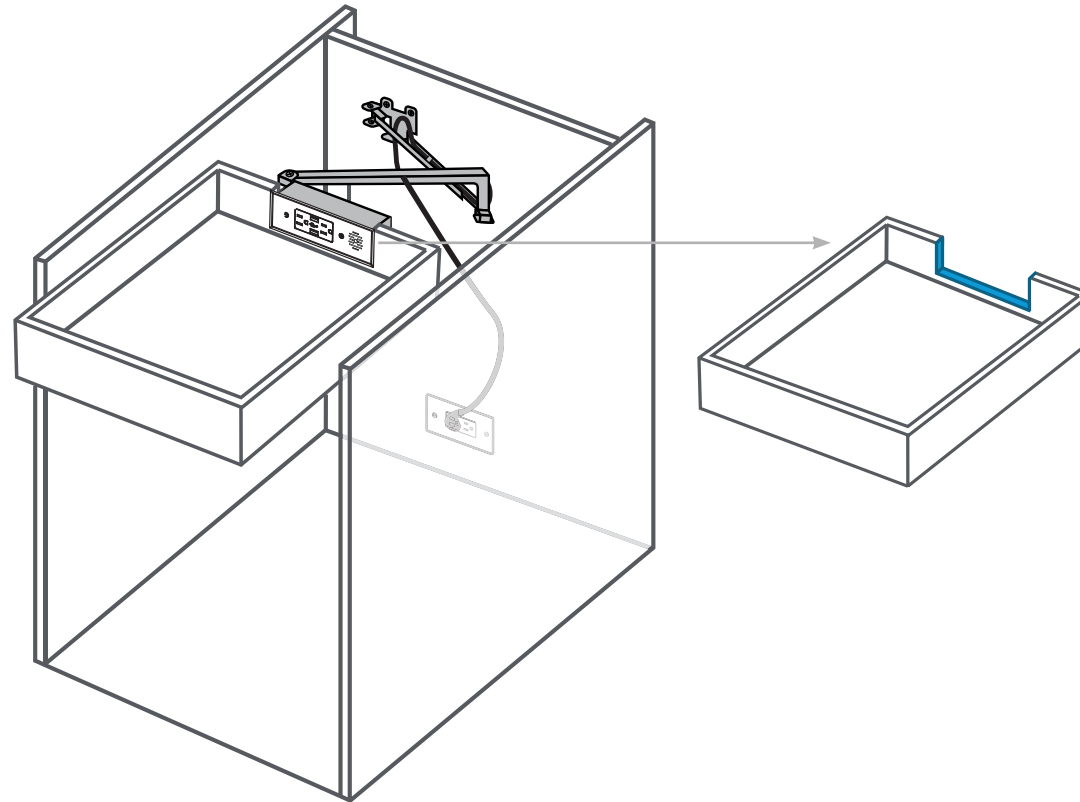
Read more about [shortening the drawer box.](#)

Minimal Drawer Box Height Installation Technique #1

Create a U-shaped Cutout to Drop In the Outlet

If the drawer box is shallower than the required 3" minimum, the outlet can be dropped into a U-shaped cutout in the back wall of the drawer box.

Create a U-Shaped Cutout



Pro Tip

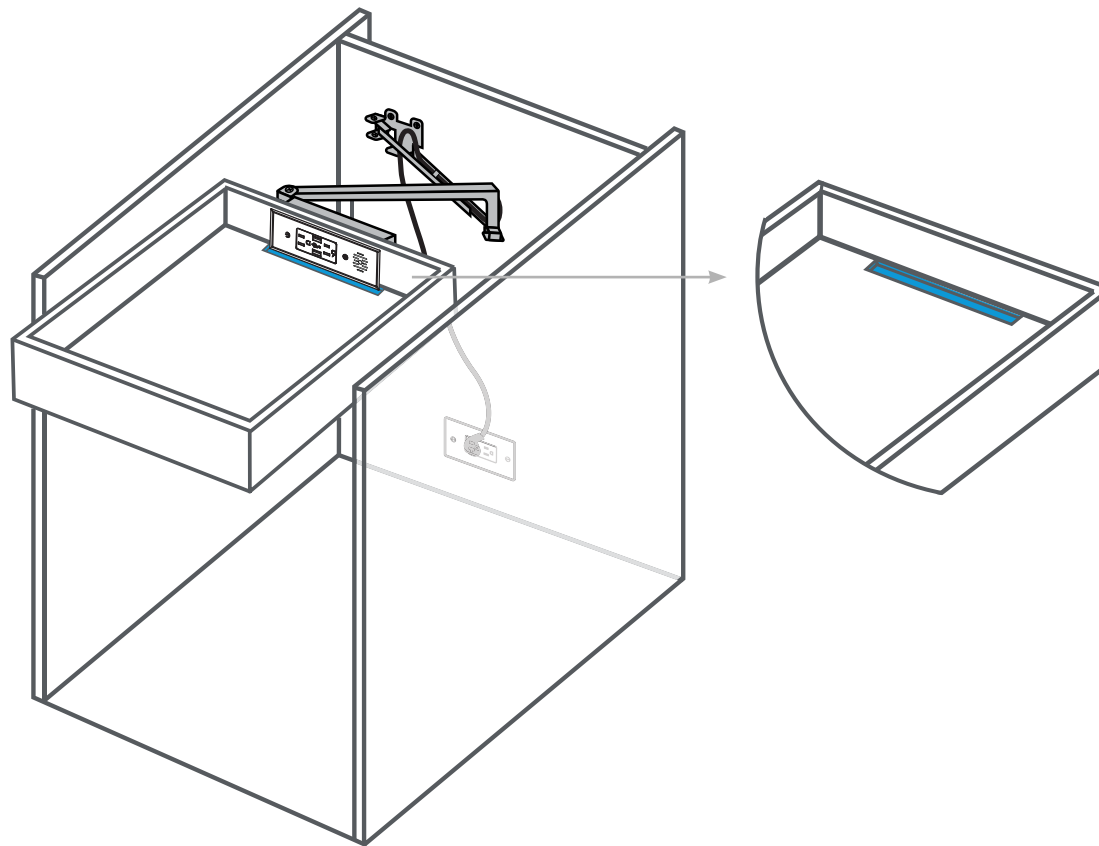
When installing a Docking Drawer in a shallower drawer, a U-Shaped cut out is possible as long as the drawer box is constructed out of high-quality material.

Minimal Drawer Box Height Installation Technique #2

Route Out the Bottom of the Drawer Box

If the drawer box is shallower than the required 3" minimum, use a router to remove material on the bottom of the drawer box to allow space for the outlet's cover plate.

Route Out the Bottom of the Drawer Box



Pro Tip

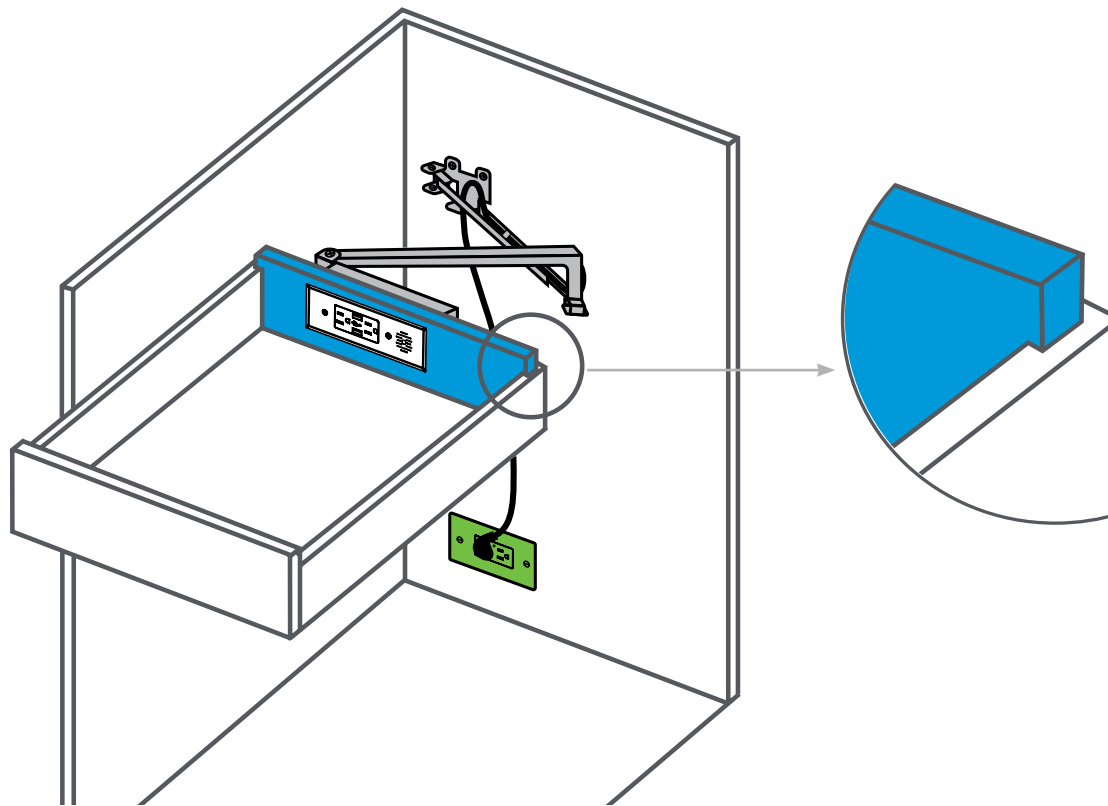
When the interior drawer box height is less than 3," and you are seeking to install the outlet as low as possible in the drawer box, you can remove material from the bottom of the drawer box so the beveled cover plate.

Minimal Drawer Box Height Installation Technique #3

Create a Taller Drawer Box Back Wall (to Create 3" of Interior Drawer Box Height)

If the drawer box is shallower than the required 3" minimum, the height of the back wall of the drawer box can be increased to accommodate the Blade Series receptacle box.

Create a Taller Drawer Box Back Wall Technique



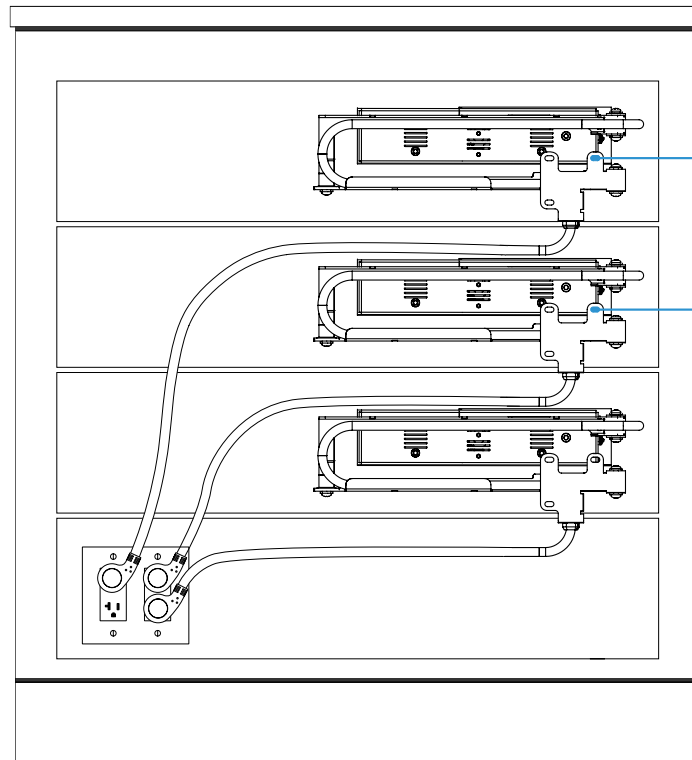
Pro Tip

Ensure there is enough room above the drawer box to accommodate a taller back wall.

Multiple Outlets in Stacked Drawers Installation Technique

When installing multiple outlets into stacked sets of drawers, you will need to ensure a minimum space of 6" between the mounting bracket holes, as depicted in the illustration below.

Stacked Drawers with Outlets



6" of space is needed between mounting bracket holes.

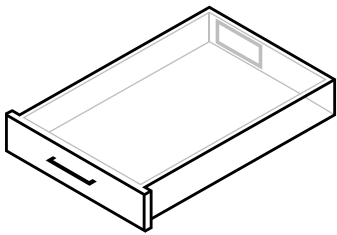
Pro Tip

Shallow drawers need to be at least 15" wide to keep the cord out of cable management arms.

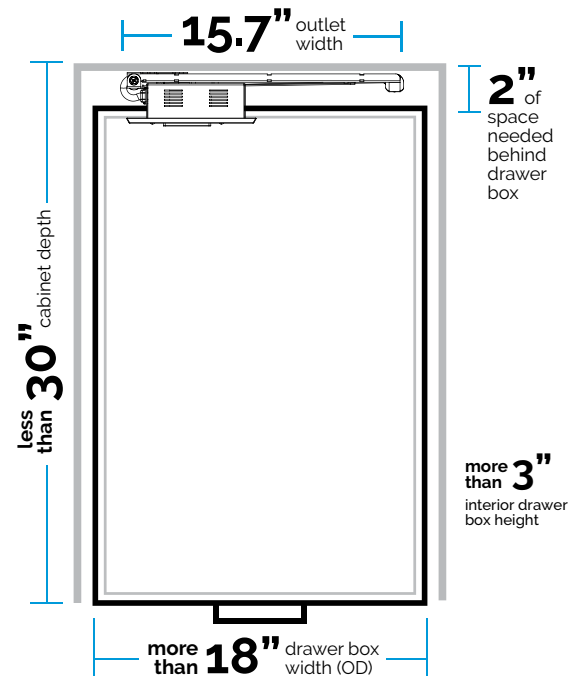
Deep Cabinet Outlets For Cabinet Depths up to 30"

Docking Drawer Blade Series Deep Cabinet outlets are perfect for kitchen islands and base cabinet depths between 24" and 30" deep. While the standard Blade Series outlets have a maximum cabinet depth of 24", Blade Series Deep Cabinet outlets have longer cable management arms for increased extension.

Deep Cabinet Outlets



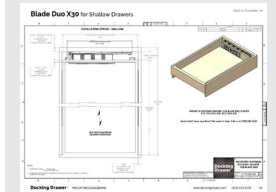
Outlet Width	15.7"
Minimum Drawer Box Width (Outer Dimension)	18" or more
Minimum Interior Drawer Box Height	3" or more
Minimum Space Behind Drawer Box	2" or more
Maximum Base Cabinet Depth	30" or less



Pro Tip

Perfect for kitchen islands, printer drawers & for base cabinet depths between 24" & 30".

[Download Mounting Diagrams →](#)

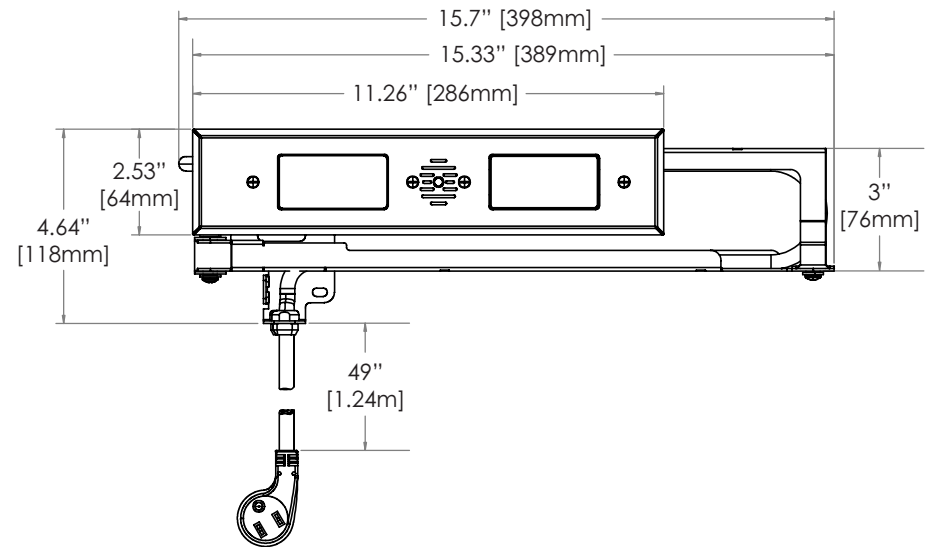


Most Popular Outlet:
[15 amp Blade In Drawer Deep Cabinet Outlet 1514-110-X30](#)

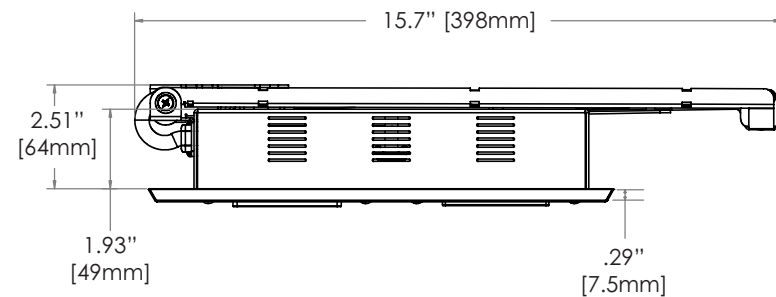
Outlet Dimensions of a Blade Duo Deep Cabinet In Drawer Outlet

Outlet Width	15.7" (398mm)
Outlet Height	4.64" (118mm)
Outlet Depth	2.51" (64mm)
Receptacle Box Depth	1.93" (49mm)
Cover Plate Height	2.53" (64mm)
Cover Plate Width	11.26" (286mm)
Cover Plate Thickness	.29" (7.5mm)
Cable Management Arms Height	3" (76mm)
Cord Length	49" (1.24m)

Front View



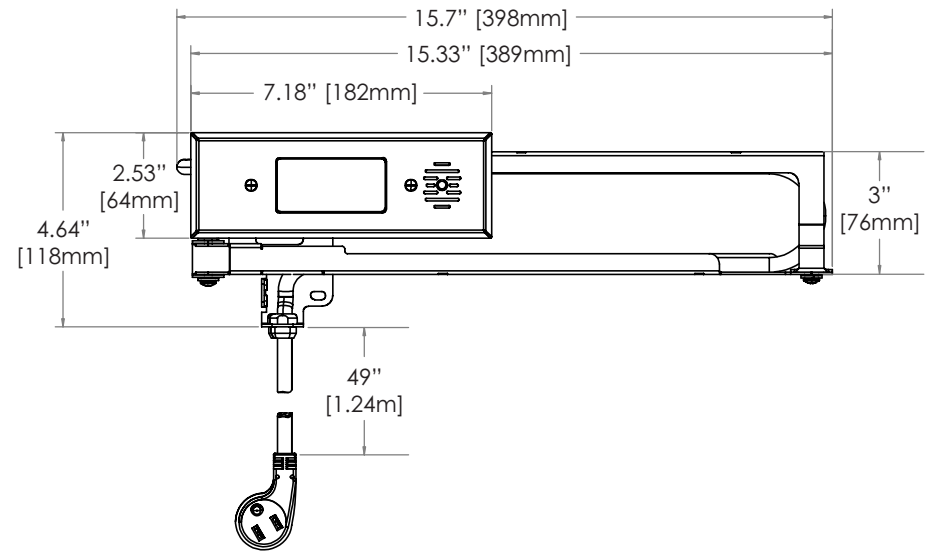
Top View



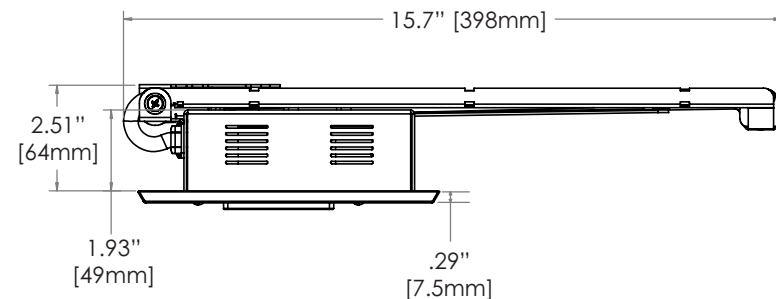
Outlet Dimensions of a Blade Deep Cabinet In Drawer Outlet

Outlet Width	15.7" (398mm)
Outlet Height	4.64" (118mm)
Outlet Depth	2.51" (64mm)
Receptacle Box Depth	1.93" (49mm)
Cover Plate Height	2.53" (64mm)
Cover Plate Width	7.18" (182mm)
Cover Plate Thickness	.29" (7.5mm)
Cable Management Arms Height	3" (76mm)
Cord Length	49" (1.24m)

Front View



Top View

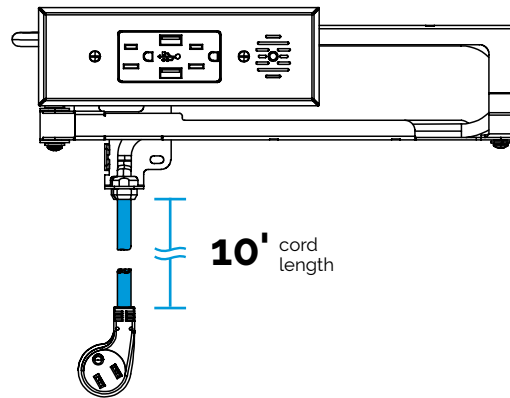


10' Cord Solutions

The standard cord length for 15 amp Blade Series outlets is 4.5', but longer 10' cord lengths are available. 15 amp Docking Drawer Blade Series outlets with 10' cords are perfect for furniture applications where available wall outlets may be further away or in inconvenient spots hidden by larger furniture pieces.

Cord Length - 15 amp

Blade Duo and Blade 1514-XXX-X96 in drawer outlets feature a 10' long cord.



Pro Tip

Guide the 10ft Blade Series cord along the legs of furniture pieces to maintain a clutter free aesthetic.

All cords are measured from the exit of the rear mounting bracket to the molded plug.

Most Popular Outlet:
[15 amp Blade Duo with 10' Cord Outlet 1514-278W-X96](#)

Can't find what you're looking for? **Ctrl or Cmmd + F**

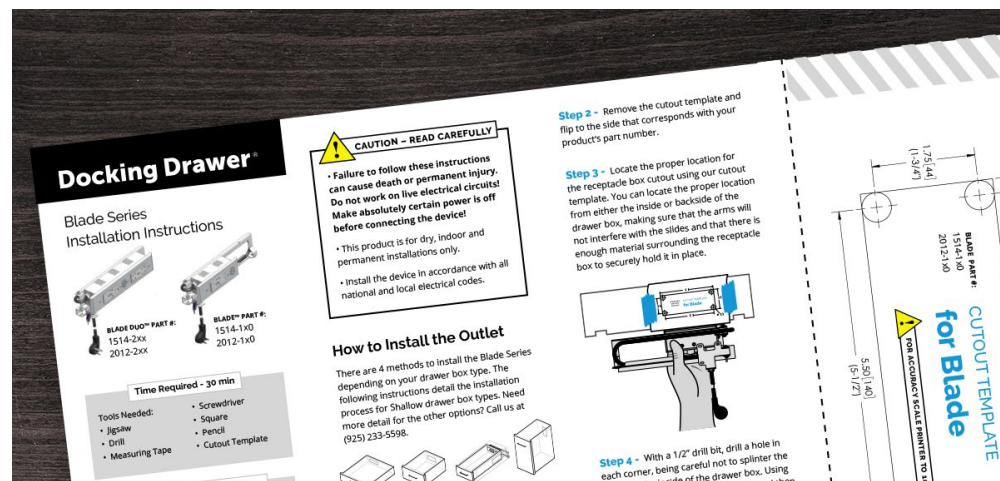
Installation Resources

Installation Resources for Blade Series In-Drawer Outlets

Docking Drawer provides all of the resources you need for a smooth Blade Series in-drawer outlet installation. Simply [click this link](#) to download now.

Installation Manuals

Step by step instructions for installing Blade Series in-drawer outlets.

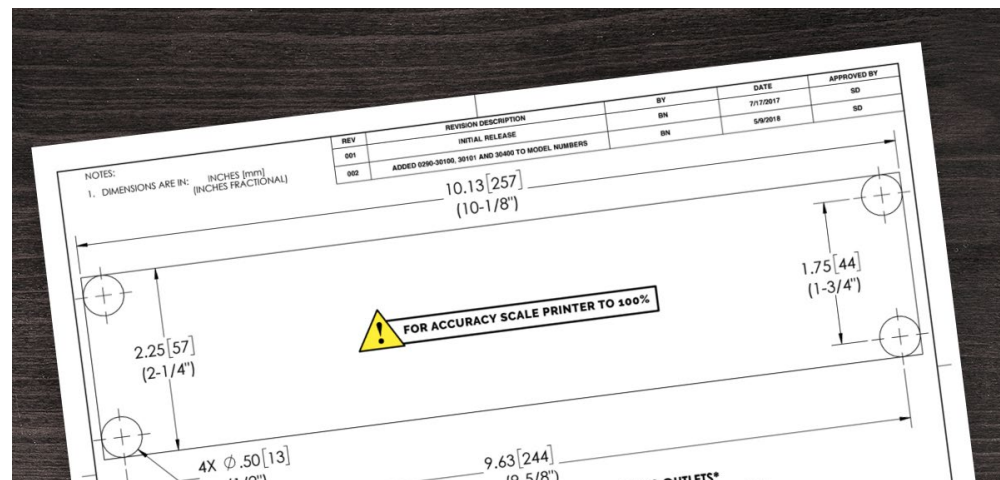


Pro Tip

Installation Manuals are available to download at dockingdrawer.com/downloads

Cutout Templates

Printable PDF templates to guide your receptacle box cutout placement.



Pro Tip

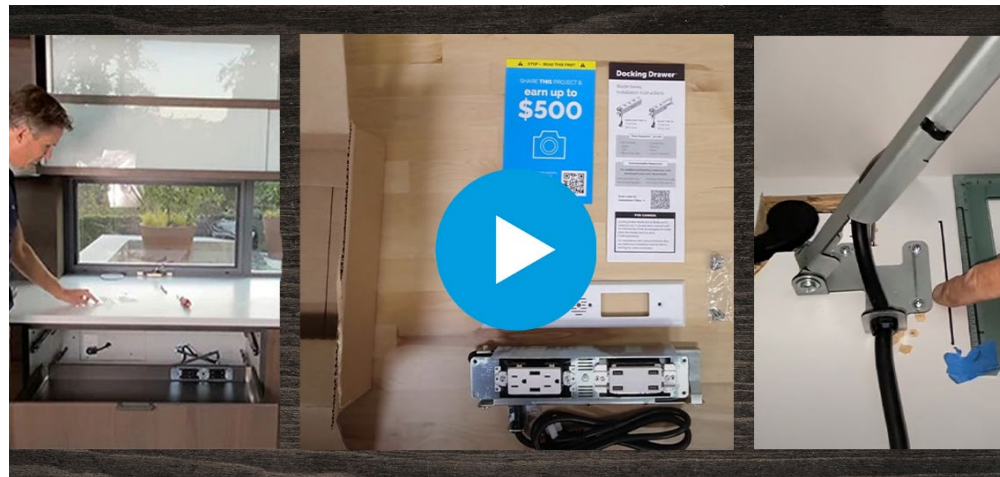
Cutout Templates are available to download at dockingdrawer.com/downloads

Installation Resources for Blade Series In-Drawer Outlets

Docking Drawer provides all of the videos you need for a smooth Blade Series in-drawer outlet installation. Simply [click this link](#) to watch now.

Installation Videos

Follow along with our step by step instructions to install your Docking Drawer project.



Pro Tip

Installation videos are available to watch [here](#).

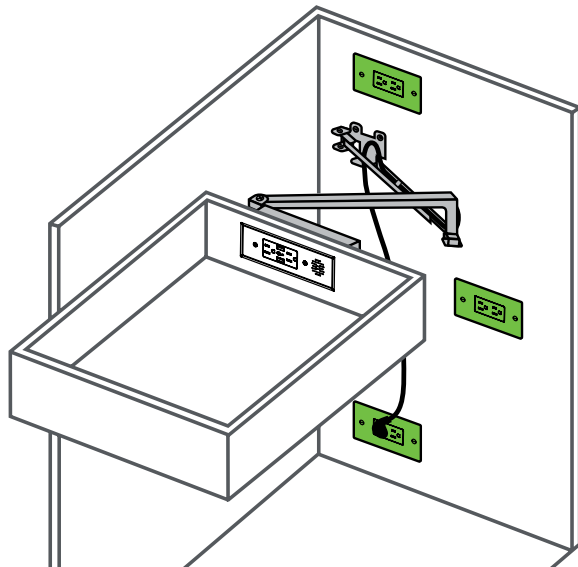
Can't find what you're looking for? **Ctrl or Cmmd + F**

Electrical Installation Guide

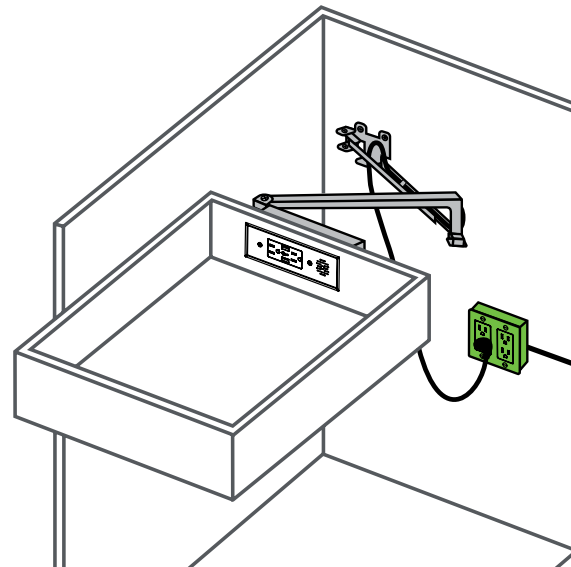
Electrical Installation Guide Locating In-Cabinet Power

The in-cabinet electrical supply can either be flush mounted or surface mounted.

Flush Mounted



Surface Mounted



Pro Tip

Make sure that in-cabinet outlets are not directly behind the drawer box so they do not interfere with the drawer closing.

*Items marked in green are not included

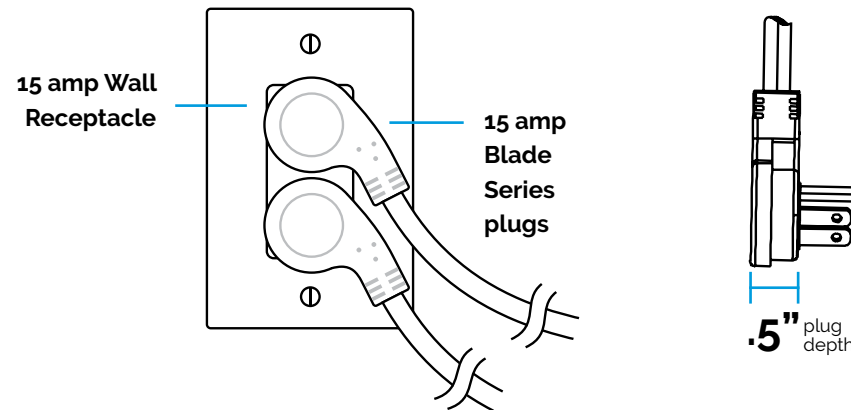
Electrical Installation Guide

Connecting Blade Series Outlets to In-Cabinet Power

The 15 amp Blade Series outlet design ensures that customers can utilize the maximum number of wall receptacles without interference. The slim plug design uses minimal space behind the drawer and sits at a 45 degree angle so as to not block the other receptacle.

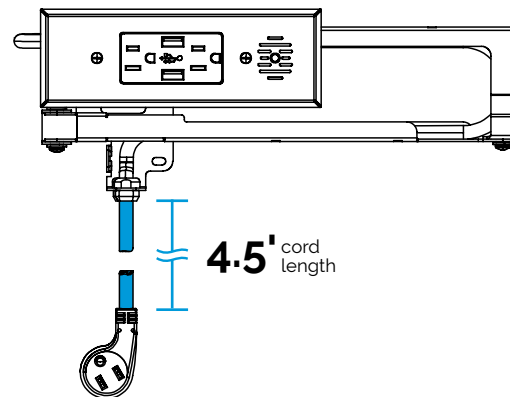
Blade Series Plug Design - 15 amp

Features a slim design to use minimal space behind the drawer and ensures both wall receptacles can be utilized.



Cord Length - 15 amp

Blade Duo and Blade 1514-XXX in drawer outlets feature a 4.5' long cord.



Need Electrical Listings?

Download detailed electrical listing reports at dockingdrawer.com/downloads

All cords are measured from the exit of the rear mounting bracket to the molded plug.

To create passthrough holes in nightstands, furniture, and other high-end cabinetry with divided sections, a minimum 1.5" hole is needed for .5" material. For thicker material, a wider hole will be needed.

Most Popular Outlet:
[15 amp Blade Duo In Drawer Outlet 1514-278](#)

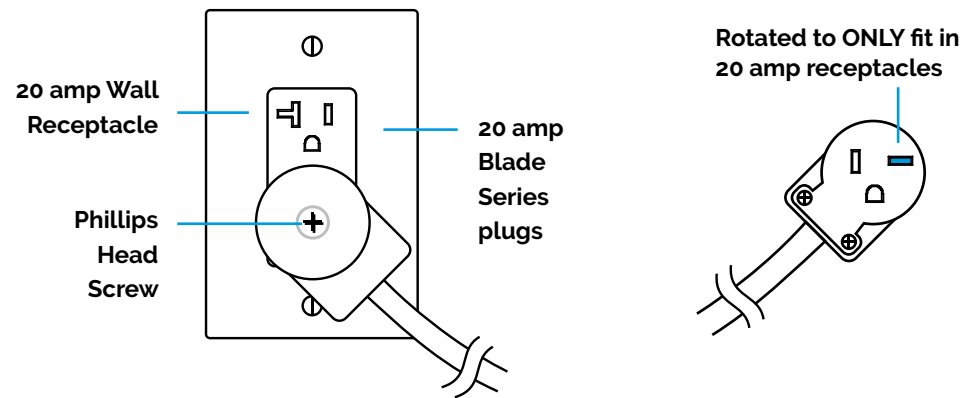
Electrical Installation Guide

Connecting Blade Series Outlets to In-Cabinet Power

The 20 amp Blade Series outlet design features a rotated prong that ONLY fits in 20 amp wall receptacles. 20 amp plugs can be rotated at a 45 or 90 degree angle for added flexibility.

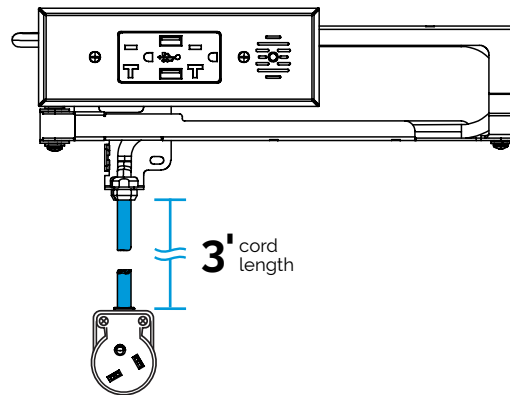
Blade Series Plug Design - 20 amp

Features a rotated prong that ONLY fits in 20 amp receptacles.



Cord Length - 20 amp

Blade Duo and Blade 2012-XXX in-drawer outlets feature a 3' long cord.



Need Electrical Listings?

Download detailed electrical listing reports at dockingdrawer.com/downloads

Pro Tip

The 20 amp plug comes set at a 45 degree angle. Loosen the center screw and rotate the plug to set at a 90 degree angle.

Two 20 amp Blade Series plugs cannot fit into a wall receptacle at the same time.

Most Popular Outlet:
[20 amp Blade In-Drawer Outlet 2012-160](#)

Electrical Installation Guide 4 Options to GFCI Protect the Outlet

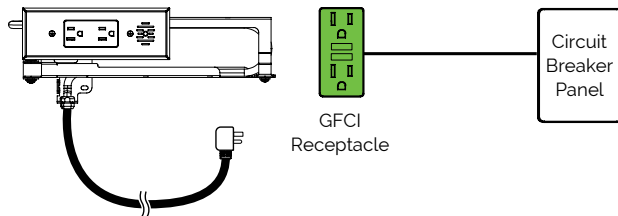
Docking Drawer Blade Series outlets can have GFCI properties if plugged into a GFCI outlet or circuit. If the parent outlet trips, then it will cut power to the Blade outlet. Outlets are wired in a series, so there may be GFCI properties on your circuit already, commonly seen in newer bathrooms and kitchens. Or you can purchase one of the available Docking Drawer Blade Series configurations that offer built-in GFCI ([1514-150](#) and [2012-150](#)).

GFCI



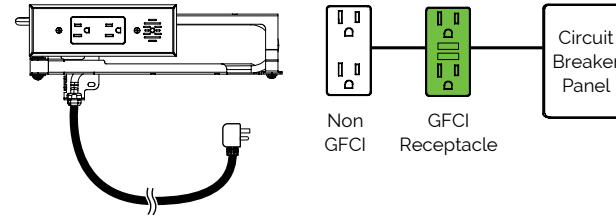
Option 1

Plug into a GFCI outlet



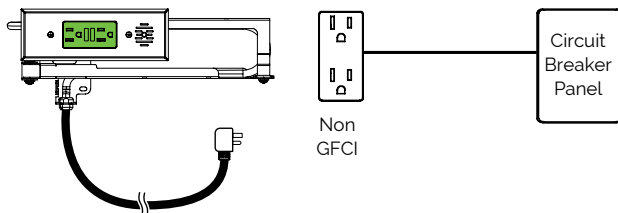
Option 2

Wired in a series with a GFCI outlet



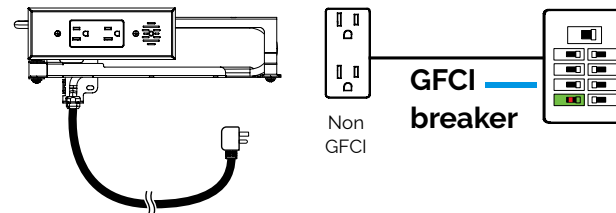
Option 3

Use a Blade Series with GFCI (1514-150)



Option 4

Plug into an outlet on a GFCI circuit



Pro Tip

If your in-cabinet outlet has GFCI, which most modern bathrooms and kitchens do, then you don't need a Docking Drawer with GFCI configuration.

How to wire GFCI outlets in series:
dockingdrawer.com/blogs/news/pro-specification-tip-gfci-outlets

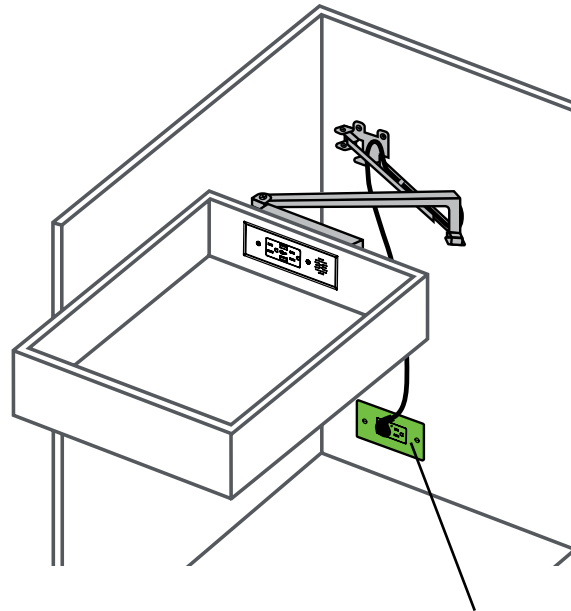
Docking Drawer offers 2 configurations that feature GFCI outlets:
[15 amp Blade In Drawer Outlet 1514-150](#)

[20 amp Blade In Drawer Outlet 2012-150](#)

Electrical Installation Guide Surge Protection

Surge protection properties can be added by plugging a Docking Drawer Blade Series outlet in-drawer outlet into an in-cabinet Leviton 5280-W surge-protective duplex receptacle outlet.

Surge Protection



LEVITON 5280-W outlet

Pro Tip

A surge protector is a device that protects your devices from power surges and current spikes. Whenever the voltage crosses 120, it switches the connection to ground voltage or blocks the excess current to the AC and USB ports.

Electrical Installation Guide Electrical Certifications

Docking Drawer provides all of the necessary resources to plan a Blade Series outlet installation. Simply [click this link](#) to download now.

Electrical Certifications

Download ETL and CSA Electrical Certifications to share with your electrician or inspector.



Pro Tip

Electrical Certifications are available for download at dockingdrawer.com/downloads

Preconfigured Drawers Spec Book

READY TO INSTALL INTO ANY CABINET

- 77 Cabinet Anatomy: Framed vs Frameless
- 78 Preconfigured Drawers for Framed Cabinets
- 79 Preconfigured Drawers for Frameless Cabinets
- 80 Vanity Grooming Organizer

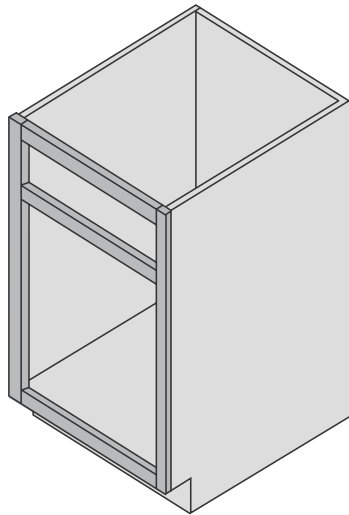


Cabinet Anatomy Framed vs Frameless

Before selecting a Preconfigured Powered Drawer, you will first need to determine whether you're working with framed or frameless cabinetry.

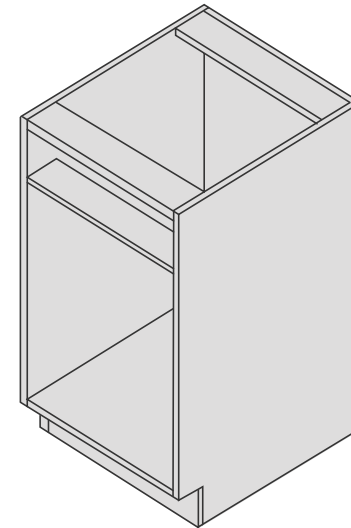
Framed Cabinets

Framed cabinets incorporate a wood frame around the front of the outer edge of the cabinet box.



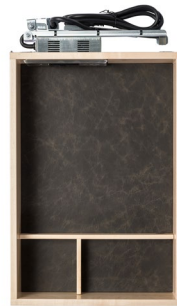
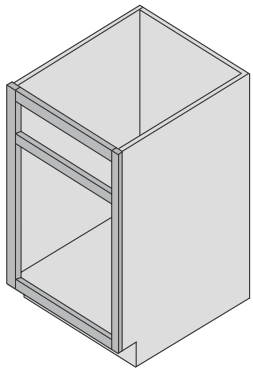
Frameless Cabinets

Frameless cabinets do not have a wood frame, there is no material blocking the cabinet opening.



Preconfigured Drawers for Framed Cabinets

Created in partnership with the experts in craftsmanship at Century Components, these preconfigured power drawers come fully equipped with an integrated Docking Drawer outlet, plus functional features like built-in dividers, soft-close slides, stainless steel canisters, acrylic trays and genuine leather inserts.



**Preconfigured Charging
Drawer for Framed Cabinets**
GALMPCS14PF

- Available in 15", 18", 21" and 27" widths
- Built-in drawer dividers feature access holes to guide charging cord
- Blum TANDEM undermount slides

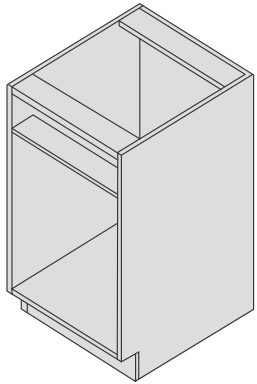


**Preconfigured Vanity Drawer
for Framed Cabinets**
GALMPCS14PF-18

- Available in 15" opening widths
- Includes 2 poly trays to organize accessories
- Blum TANDEM undermount slides

Preconfigured Drawers for Frameless Cabinets

Created in partnership with the experts in craftsmanship at Century Components, these preconfigured power drawers come fully equipped with an integrated Docking Drawer outlet, plus functional features like built-in dividers, soft-close slides, stainless steel canisters, acrylic trays and genuine leather inserts.



**Preconfigured Charging
Drawer for Frameless Cabinets**
GALMPCS16PF

- Available in 16.5", 19.5", 22.5", 28.5" opening widths
- Built-in drawer dividers feature access holes to guide charging cords
- Blum TANDEM undermount slides

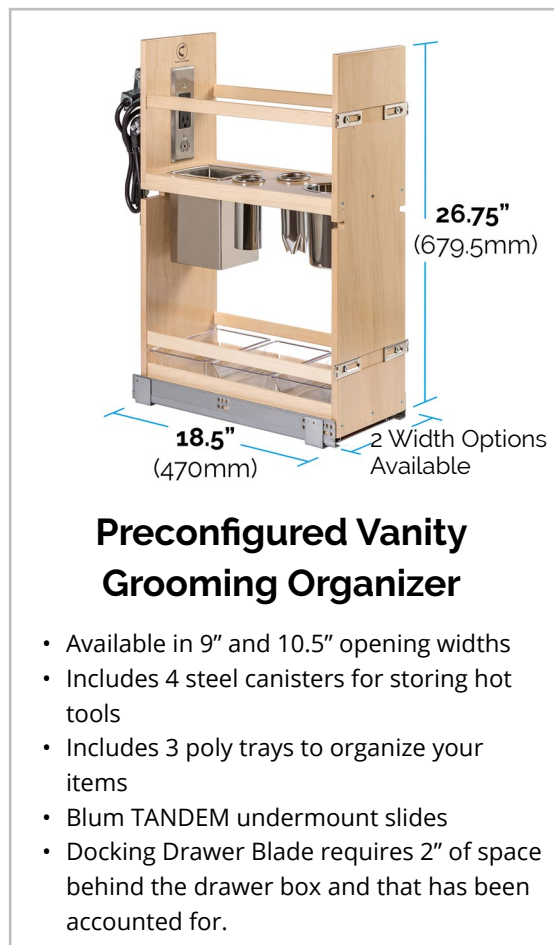


**Preconfigured Vanity Drawer
for Frameless Cabinets**
GALMPCS16PF-18

- Available in 16.5" opening widths
- Includes 2 poly trays to organize your items
- Blum TANDEM undermount slides

Vanity Grooming Organizer

Preconfigured and ready to insert into 9" and 10.5" openings in your cabinetry, this carefully crafted Vanity Grooming Organizer drawer comes complete with an integrated stainless steel Docking Drawer outlet featuring 2 AC outlets, built-in drawer canisters for storing hairdryers, curling and flat irons, and 3 small trays to organize your items.



Safety Interlock Outlets Spec Book

SOLUTIONS FOR ADDED SAFETY

82 Safety Interlock Outlet Overview

Overview

Comparison Chart

Part Numbers for Safety Interlock Outlets for Vanities

Part Numbers for Safety Interlock Outlets for Appliance Garages

Part Numbers for Safety Interlock Outlets for Appliance Drawers

88 Safety Interlock Outlets for Vanities

15 amp Safety Interlock Outlet with Blade Limit Switch

20 amp Safety Interlock Outlet with Blade Limit Switch

91 Safety Interlock Outlets for Appliance Garages

Safety Interlock Disconnect with Corner Mount Limit Switch

Safety Interlock Disconnect Kit with Corner Mount Limit Switch

15 amp Safety Interlock Outlet with Corner Mount Limit Switch

20 amp Safety Interlock Outlet with Corner Mount Limit Switch

96 Safety Interlock Outlets for Appliance Drawers

15 amp Appliance In-Drawer Outlet Kit with Blade Limit Switch

20 amp Appliance In-Drawer Outlet Kit with Blade Limit Switch



Can't find what you're looking for? **Ctrl or Cmmd + F**

Safety Interlock Outlet Overview

Safety Interlock Outlet Overview

Our family of Safety Outlets was designed to offer an additional layer of safety for electrical applications of various kinds. In this section, you will be introduced to three types of safety outlet solutions.

For Appliance Garages

Safety Interlock Outlets with Blade Limit Switch

The Safety Interlock Outlets with Blade Limit Switch are designed for use with Blade Series in-drawer outlets, to offer an **additional layer of safety for in-drawer outlet applications** such as vanity drawers and appliance drawers where heat-generating devices are connected. The switch senses the drawer's position and will de-energize the outlet when the drawer begins to close.










For Vanities

Safety Interlock Outlets and Safety Interlock Disconnects

The Safety Interlock Outlet and the Safety Interlock Disconnect products were designed to offer an **additional layer of safety for appliance garages** concealed behind a cabinet door. The switch senses the door position and will de-energize the outlet when the door is closed.



Safety Interlock Outlet Comparison Chart

	6015-1000	6020-1000	6120-2001	6015-2001	6020-2001	0290-6120W66	0290-6120W56
							
Type of Safety Outlet	Safety Interlock Outlet	Safety Interlock Outlet	Safety Interlock Disconnect	Safety Interlock Outlet	Safety Interlock Outlet	Safety Interlock Disconnect	Safety Interlock Disconnect
Type of Limit Switch	Blade Limit Switch	Blade Limit Switch	Corner Mount Limit Switch	Corner Mount Limit Switch	Corner Mount Limit Switch	Corner Mount Limit Switch	Corner Mount Limit Switch
Application	Appliance Drawers & Vanities	Appliance Drawers & Vanities	Appliance Garages	Appliance Garages	Appliance Garages	Appliance Garages	Appliance Garages
AC outlets	1	1	Can include up to 4 (not included)	1	1	4	4
Amps	15 amps	20 amps	Applicable for 15 and 20 amp	15 amps	20 amps	20 amps	20 amps
Requires Blade Series Outlet	Yes	Yes	No	No	No	No	No
Receptacle Finish	White						
Limit Switch Finish	Stainless Steel	Stainless Steel	White, Black	White, Black	White, Black	White, Black	White, Black
Electrical Connection	NEMA 5-15R	NEMA 5-20R	N/A	NEMA 5-15R	NEMA 5-20R	N/A	N/A
Interlock Switch Connector Included	Yes						
ETL Listed	Yes						
Warranty	2 Year						

Part Numbers Safety Interlock Outlets for Vanities



BEST SELLER

**15 amp Safety Interlock Outlet
with Blade Limit Switch**
6015-1000W

The image shows a white rectangular safety interlock outlet with a blade limit switch. It has two screw terminals at the top and bottom for mounting. A black cable with a white connector is attached to the side. A blue diagonal banner in the top-left corner reads "BEST SELLER".



**20 amp Safety Interlock Outlet
with Blade Limit Switch**
6020-1000W

The image shows a white rectangular safety interlock outlet with a blade limit switch, similar to the 15 amp version but with a different internal configuration. It has two screw terminals at the top and bottom for mounting. A black cable with a white connector is attached to the side.

Part Numbers Safety Interlock Outlets for Appliance Garages



**Safety Interlock Disconnect
with Corner Mount Limit Switch**
6120-2001



**Safety Interlock Disconnect Kit
with Corner Mount Limit Switch**
0290-6120W66



**Safety Interlock Disconnect Kit
with Corner Mount Limit Switch**
0290-6120W56



**15 amp Safety Interlock Outlet
with Corner Mount Limit Switch**
6015-2001W



**20 amp Safety Interlock Outlet
with Corner Mount Limit Switch**
6020-2001W

Part Numbers Safety Interlock Outlets for Appliance Drawers



**15 amp Appliance In-Drawer Outlet
Kit with Blade Limit Switch**
0290-15/266W-1000



**20 amp Appliance In-Drawer Outlet
Kit with Blade Limit Switch**
0290-20/266W-1000

Can't find what you're looking for? **Ctrl or Cmmd + F**

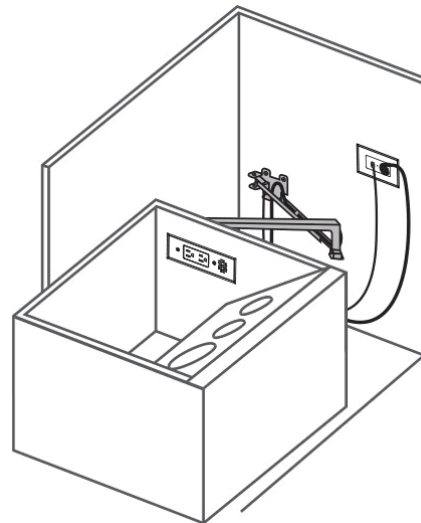
Safety Interlock Outlets for Vanities

Vanities 15 amp Safety Interlock Outlet with Blade Limit Switch

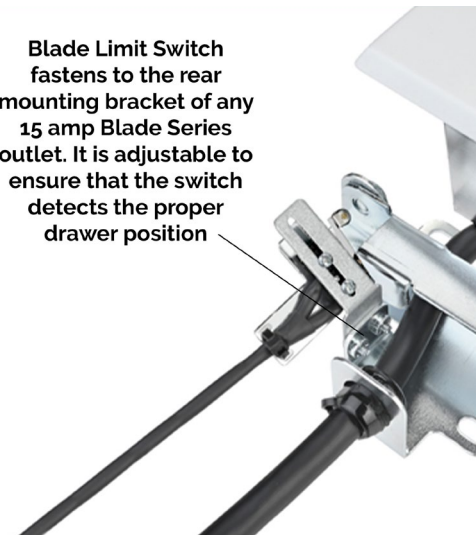
15 amp Safety Interlock Outlet is a single gang electrical outlet featuring one NEMA 5-15 receptacle and one interlock switch connector. The Blade Series Limit Switch mounts to any 15 amp Docking Drawer Blade Series outlet to detect the drawer position and will de-energize the outlet when the drawer starts to close. All Docking Drawer Blade Series Outlets are listed to UL 962a and CSA 22.2 #21, and the Safety Interlock Outlet with Blade Limit Switch is listed to UL 498 and CSA 22.2 #42. The Authorities Having Jurisdiction (AHJ) has the final say on whether an installation meets the requirements of the Canadian Electrical Code.

Safety Interlock Outlet

Blade Limit Switch



Blade Limit Switch fastens to the rear mounting bracket of any 15 amp Blade Series outlet. It is adjustable to ensure that the switch detects the proper drawer position



Pro Tip

Most often used in bathroom vanities, kitchen appliance garages and Canadian installations.

Want to create an appliance garage without an in-drawer outlet? [Learn more about our Corner Mount Limit Switch](#)

Need an Installation Manual?

Download now at dockingdrawer.com/downloads

Need Electrical Listings?

Download now at dockingdrawer.com/downloads

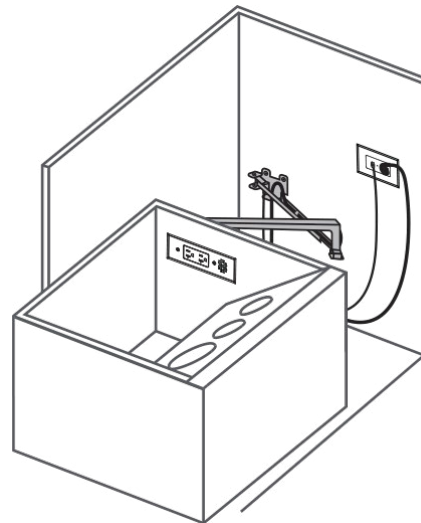


Vanities 20 amp Safety Interlock Outlet with Blade Limit Switch

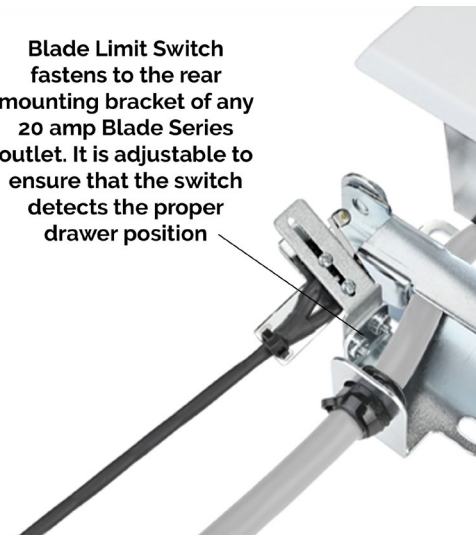
20 amp Safety Interlock Outlet is a single gang electrical outlet featuring one NEMA 5-20 receptacle and one interlock switch connector. The Blade Series Limit Switch mounts to any 20 amp Docking Drawer Blade Series outlet to detect the drawer position and will de-energize the outlet when the drawer starts to close. All Docking Drawer Blade Series Outlets are listed to UL 962a and CSA 22.2 #21, and the Safety Interlock Outlet with Blade Limit Switch is listed to UL 498 and CSA 22.2 #42. The Authorities Having Jurisdiction (AHJ) has the final say on whether an installation meets the requirements of the Canadian Electrical Code.

Safety Interlock Outlet

Blade Limit Switch



Blade Limit Switch fastens to the rear mounting bracket of any 20 amp Blade Series outlet. It is adjustable to ensure that the switch detects the proper drawer position



Pro Tip

Most often used in bathroom vanities, kitchen appliance garages and Canadian installations.

Want to create an appliance garage without an in-drawer outlet? [Learn more about our Corner Mount Limit Switch](#)

Need an Installation Manual?

Download now at dockingdrawer.com/downloads

Need Electrical Listings?

Download now at dockingdrawer.com/downloads



Safety Interlock Outlets for Appliance Garages

Appliance Garages Safety Interlock Disconnect with Corner Mount Limit Switch

The Safety Interlock Disconnect with Corner Mount Limit Switch is rated for both 15 and 20 amp applications and is our most customizable solution, with the ability to integrate into a 2 or 3-gang junction box to disconnect and de-energize up to 4 devices. When the cabinet door is closed, the corner mount switch will trigger the disconnect to de-energize the outlet and connected devices.

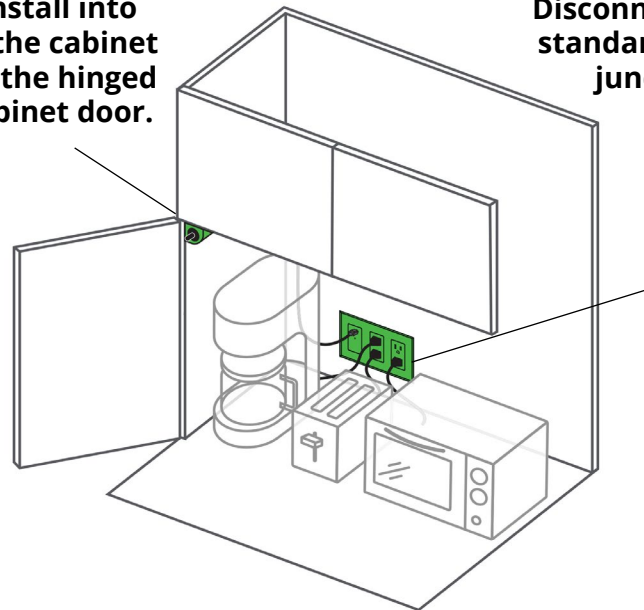
Safety Interlock Disconnect

with Corner Mount Limit Switch



Corner Mount Limit Switch can install into the corner of the cabinet frame behind the hinged side of the cabinet door.

Safety Interlock Disconnect fits into a standard triple gang junction box



Pro Tip

Most often used in kitchen appliance garages and Canadian installations.

Need an Installation Manual?

Download now at dockingdrawer.com/downloads

Need Electrical Listings?

Download now at dockingdrawer.com/downloads



Appliance Garages Safety Interlock Disconnect Kit with Corner Mount Limit Switch

The Safety Interlock Disconnect Kit with Corner Mount Limit Switch comes with everything needed to connect and protect up to 4 devices in your appliance garage. When the cabinet door is closed, the corner mount switch will trigger the disconnect to de-energize the outlet and connected devices.

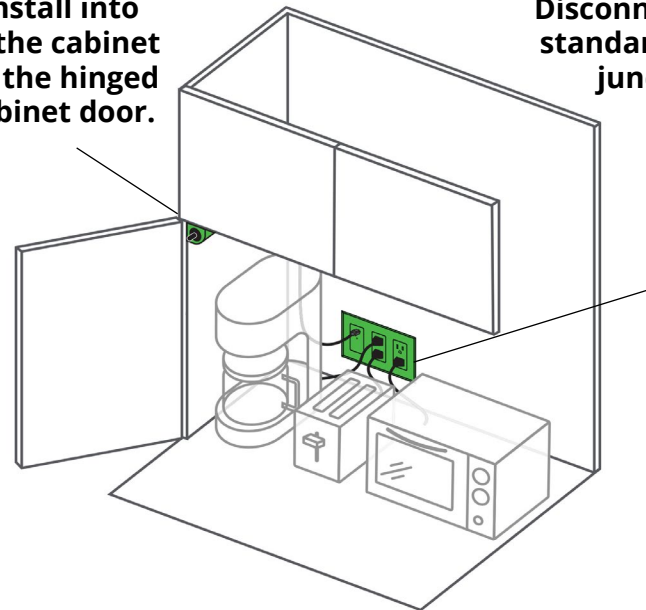
Safety Interlock Disconnect Kit

with Corner Mount Limit Switch



Corner Mount Limit Switch can install into the corner of the cabinet frame behind the hinged side of the cabinet door.

Safety Interlock Disconnect fits into a standard triple gang junction box



Pro Tip

Most often used in kitchen appliance garages and Canadian installations.

Need an Installation Manual?

Download now at dockingdrawer.com/downloads

Need Electrical Listings?

Download now at dockingdrawer.com/downloads



Appliance Garages 15 amp Safety Interlock Outlet with Corner Mount Limit Switch

15 amp Safety Interlock Outlet - Corner Mount Limit Switch is a single gang electrical outlet featuring one NEMA 5-15 receptacle and one interlock switch connector. Corner Mount Limit Switch mounts inside of enclosed spaces and detects when the door is closed and de-energizes the outlet. Safety Interlock Outlet Corner Mount Limit Switch is listed to UL 498 and CSA 22.2 #42. The Authorities Having Jurisdiction (AHJ) has the final say on whether an installation meets the requirements of the Canadian Electrical Code.

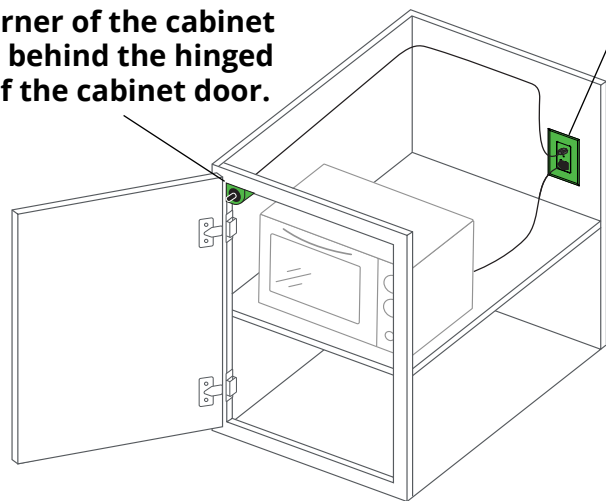
Safety Interlock Outlet

with Corner Mount Limit Switch



Corner Mount Limit Switch can install into the corner of the cabinet frame behind the hinged side of the cabinet door.

Safety Interlock Outlet fits into a standard single gang junction box



Pro Tip

Most often used in kitchen appliance garages and Canadian installations.

Need an Installation Manual?

Download now at dockingdrawer.com/downloads

Need Electrical Listings?

Download now at dockingdrawer.com/downloads



Appliance Garages 20 amp Safety Interlock Outlet with Corner Mount Limit Switch

20 amp Safety Interlock Outlet - Corner Mount Limit Switch is a single gang electrical outlet featuring one NEMA 5-20 receptacle and one interlock switch connector. Corner Mount Limit Switch mounts inside of enclosed spaces and detects when the door is closed and de-energizes the outlet. Safety Interlock Outlet Corner Mount Limit Switch is listed to UL 498 and CSA 22.2 #42. The Authorities Having Jurisdiction (AHJ) has the final say on whether an installation meets the requirements of the Canadian Electrical Code.

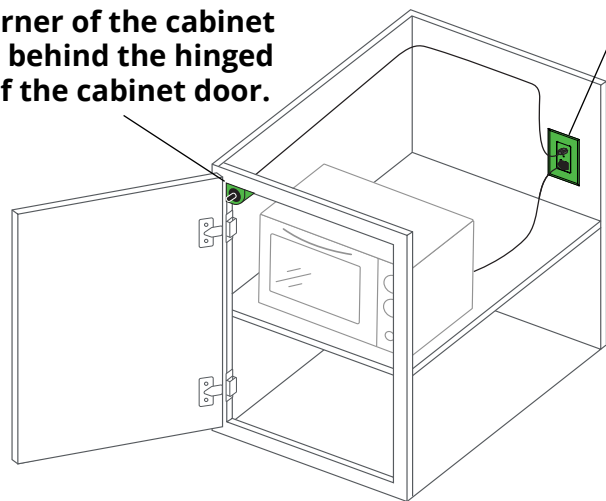
Safety Interlock Outlet

with Corner Mount Limit Switch



Corner Mount Limit Switch can install into the corner of the cabinet frame behind the hinged side of the cabinet door.

Safety Interlock Outlet fits into a standard single gang junction box



Pro Tip

Most often used in kitchen appliance garages and Canadian installations.

Need an Installation Manual?

Download now at dockingdrawer.com/downloads

Need Electrical Listings?

Download now at dockingdrawer.com/downloads



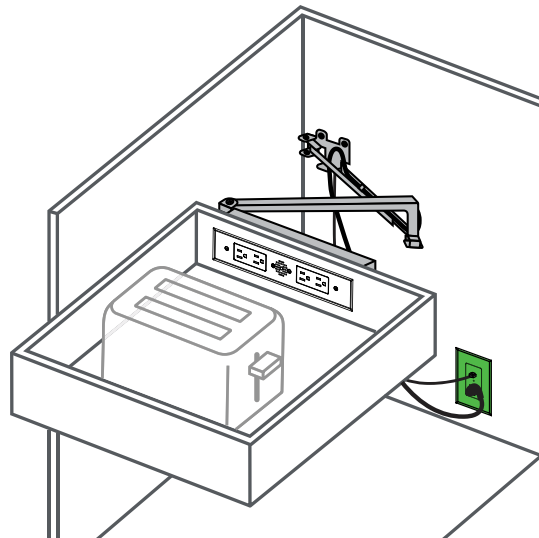
Safety Interlock Outlets for Appliance Drawers

Appliance Drawers 15 amp Appliance In-Drawer Outlet Kit with Blade Limit Switch

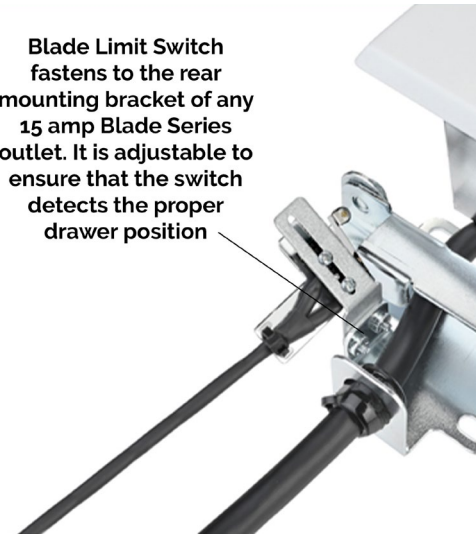
15 amp Safety Interlock Outlet is a single gang electrical outlet featuring one NEMA 5-15 receptacle and one interlock switch connector. The Blade Series Limit Switch mounts to any 15 amp Docking Drawer Blade Series outlet to detect the drawer position and will de-energize the outlet when the drawer starts to close. All Docking Drawer Blade Series Outlets are listed to UL 962a and CSA 22.2 #21, and the Safety Interlock Outlet with Blade Limit Switch is listed to UL 498 and CSA 22.2 #42. The Authorities Having Jurisdiction (AHJ) has the final say on whether an installation meets the requirements of the Canadian Electrical Code.

Safety Interlock Outlet

with Blade Limit Switch



Blade Limit Switch fastens to the rear mounting bracket of any 15 amp Blade Series outlet. It is adjustable to ensure that the switch detects the proper drawer position



Pro Tip

Most often used in kitchen appliance drawers and Canadian installations.

Want to create an appliance garage without an in-drawer outlet? [Learn more about our Corner Mount Limit Switch](#)

Need an Installation Manual?

Download now at dockingdrawer.com/downloads

Need Electrical Listings?

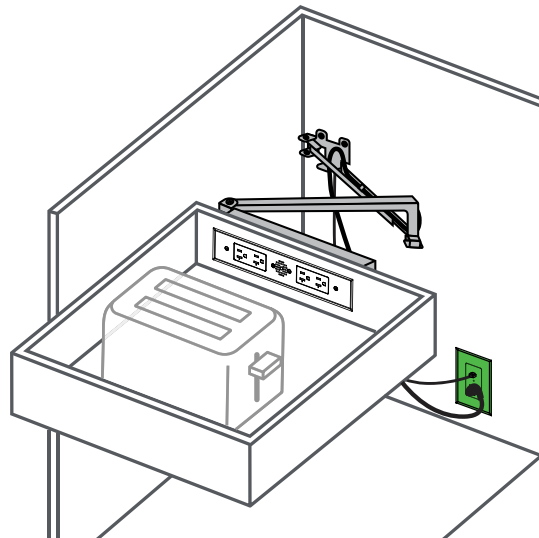
Download now at dockingdrawer.com/downloads

Appliance Drawers 20 amp Appliance In-Drawer Outlet Kit with Blade Limit Switch

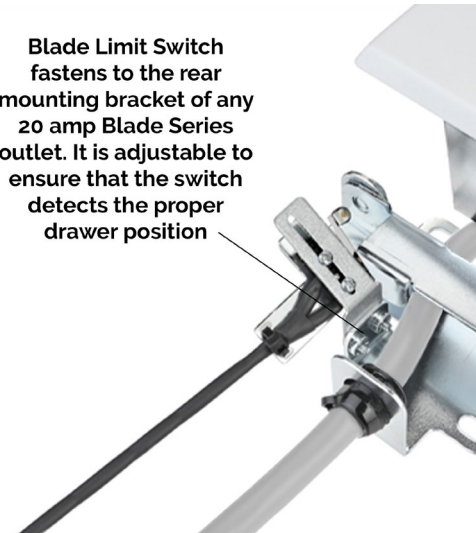
20 amp Safety Interlock Outlet is a single gang electrical outlet featuring one NEMA 5-20 receptacle and one interlock switch connector. The Blade Series Limit Switch mounts to any 20 amp Docking Drawer Blade Series outlet to detect the drawer position and will de-energize the outlet when the drawer starts to close. All Docking Drawer Blade Series Outlets are listed to UL 962a and CSA 22.2 #21, and the Safety Interlock Outlet with Blade Limit Switch is listed to UL 498 and CSA 22.2 #42. The Authorities Having Jurisdiction (AHJ) has the final say on whether an installation meets the requirements of the Canadian Electrical Code.

Safety Interlock Outlet

with Blade Limit Switch



Blade Limit Switch fastens to the rear mounting bracket of any 20 amp Blade Series outlet. It is adjustable to ensure that the switch detects the proper drawer position



Pro Tip

Most often used in kitchen appliance drawers and Canadian installations.

Want to create an appliance garage without an in-drawer outlet? [Learn more about our Corner Mount Limit Switch](#)

Need an Installation Manual?

Download now at dockingdrawer.com/downloads

Need Electrical Listings?

Download now at dockingdrawer.com/downloads



Canisters Spec Book

ELEVATE ANY DRAWER

- 100** Overview
- 101** How to Choose
- 102** Stainless Steel Capped Canisters
- 103** Chrome Open Bottom Canisters



Docking Drawer Canisters

Create the perfect styling station with Docking Drawer Canisters, featuring a variety of sizes to fit any blow dryer, hair straightener or curling iron. These hot tool holders are made to fit vanity organizers and safely store hot appliances even while they are in use.



Pro Tip

Download DXF, STEP and Solidworks files to import into your project planning software at dockingdrawer.com/downloads.



PLANNING

INSTALLATION

PRECONFIGURED
DRAWERS

SAFETY INTERLOCK
OUTLETS

CANISTERS

Docking Drawer® 100


Docking Drawer Canisters How to Choose

We offer two types of canisters: **Stainless Steel Canisters** are our premium and most flexible solution, featuring a seamless design with a bright, shiny, and corrosion-resistant finish and the ability to easily cap or uncup the bottom, while **Chrome Canisters** are an economical solution that feature an open-bottom.

Comparison Chart

	0024-00505	0024-00503	0024-00502	0024-00030S	0024-00020S	0024-00010S
						
Width	5"	3"	2"	1.5"	2"	3"
Finish	Stainless Steel	Stainless Steel	Stainless Steel	Chrome	Chrome	Chrome
Bottom Type	Capped	Capped	Capped	Open	Open	Open
Height to Lip	6.5"	5"	5"	4.89"	4.83"	2.85"
Seamless	Yes	Yes	Yes	No	No	No

Part Numbers for Stainless Steel Docking Drawer Canisters

Download Tear Sheets to share project details with your team 

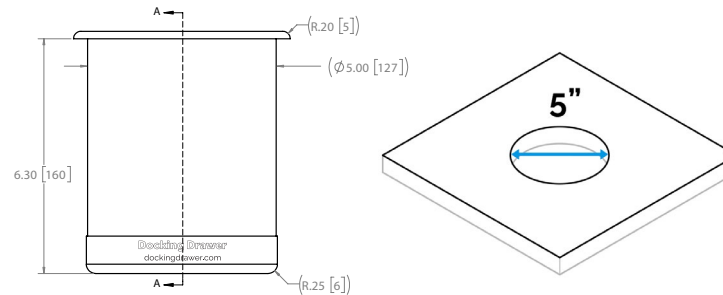


Canister Width 5" (127mm)

Cut Out Size 5" (127mm)

Canister Height (to bottom of lip) 6.3" (156.5mm)

Open or Capped bottom? Capped bottom



*Note: Capped bottom is wider than 5" (5.069")

Pro Tip

Download DXF, STEP and Solidworks files to import into your project planning software at dockingdrawer.com/downloads.

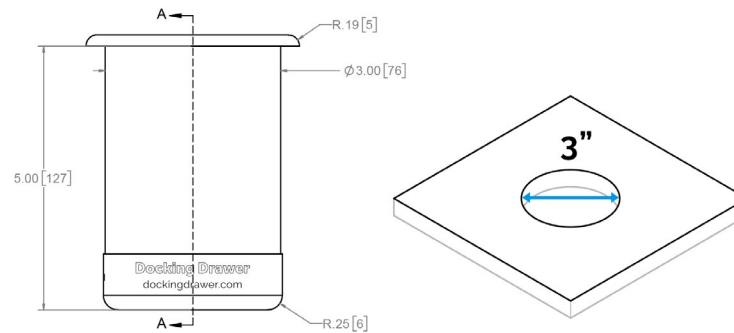


Canister Width 3" (76mm)

Cut Out Size 3" (76mm)

Canister Height (to bottom of lip) 5" (127mm)

Open or Capped bottom? Capped bottom



*Note: Capped bottom is wider than 3" (3.056")

Pro Tip

Download DXF, STEP and Solidworks files to import into your project planning software at dockingdrawer.com/downloads.

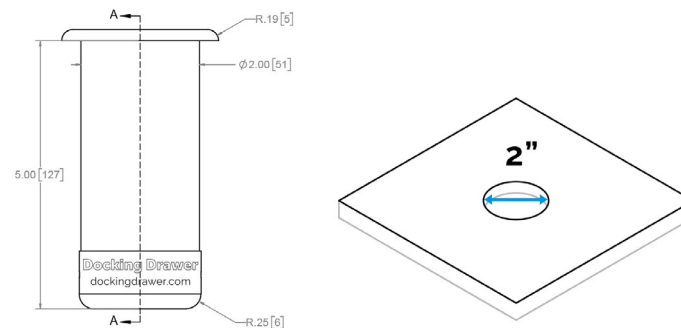


Canister Width 2" (51mm)

Cut Out Size 2" (51mm)

Canister Height (to bottom of lip) 5" (127mm)

Open or Capped bottom? Capped bottom




*Note: Capped bottom is wider than 2" (2.054")

Pro Tip

Download DXF, STEP and Solidworks files to import into your project planning software at dockingdrawer.com/downloads.

Part Numbers for Chrome Docking Drawer Canisters

Download Tear Sheets to share project details with your team 

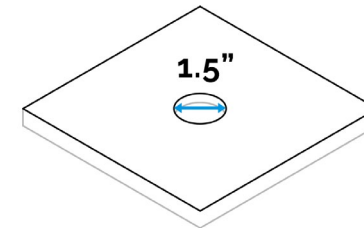
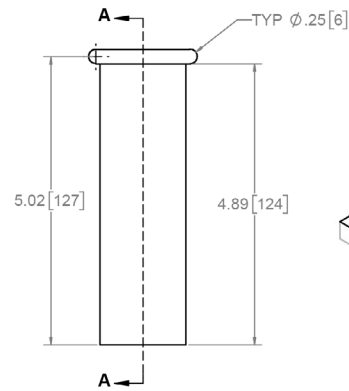


Canister Width 1.5" (38mm)

Cut Out Size 1.5" (38mm)

Canister Height (to bottom of lip) 4.89" (124mm)

Open or Capped bottom? Open bottom



Pro Tip

Download DXF, STEP and Solidworks files to import into your project planning software at dockingdrawer.com/downloads.

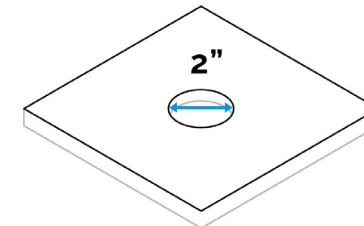
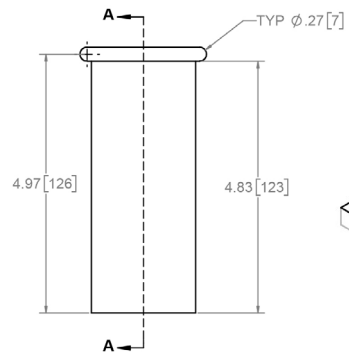


Canister Width 2" (51mm)

Cut Out Size 2" (51mm)

Canister Height (to bottom of lip) 4.83" (123mm)

Open or Capped bottom? Open bottom



Pro Tip

Download DXF, STEP and Solidworks files to import into your project planning software at dockingdrawer.com/downloads.

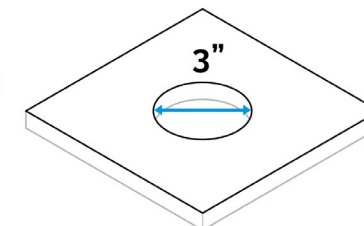
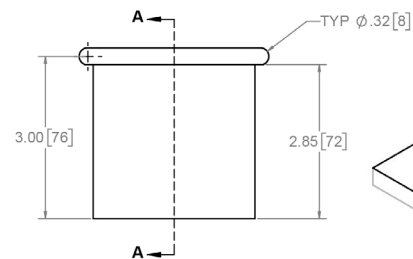


Canister Width 3" (76mm)

Cut Out Size 3" (76mm)

Canister Height (to bottom of lip) 2.85" (72mm)

Open or Capped bottom? Open bottom



Pro Tip

Download DXF, STEP and Solidworks files to import into your project planning software at dockingdrawer.com/downloads.

Ready to Order?

Buy directly from dockingdrawer.com or call your hardware/electrical distributor.

We're Here to Help

sales@dockingdrawer.com

Email us here for help with your sales questions, help with selecting the right outlet or to request any catalogs.

orders@dockingdrawer.com

Email us here with your purchase orders.

support@dockingdrawer.com

Email us here for help with your technical and project planning questions or with any other specification questions.

Docking Drawer®



CREATE
CONTENT FOR
DOCKING DRAWER
AND GET
PAID