

5 Anchor Locations are identified with balloon callouts (see right) for QSWB2000,SS and/or QSWB4000,SS

Anchor-1 and Anchor-3 have two possible locations each.



FL-22529.2

TABLE-3 CONDENSER UNIT (MAXIMUM) SPECIFICATIONS

Item	QSWB2000 QSWB2000SS	QSWB4000 QSWB4000SS
Max. Length (a) in.	42	48
Max. Height (b) in.	48	54
Max. Depth (c) in.	20	20
Max. Frontal Area (a x b) sq. in.	2020	2300
Max. Lateral Area (b x c) sq. in.	960	1100
Max. Weight (lbs.)	350	500

QSWB Part Number Notation

Diversitech QSWB4000 is equivalent to QSWB2000M-1. QSWB2000 and QSWB4000 each come in stainless steel versions. These two part numbers have a suffix "SS" Ex. QSWB2000SS and QSWB4000SS

UNLESS OTHERWISE SPECIFIED:
DIMENSIONS ARE IN INCHES (MILLIMETERS)
TOLERANCES ARE: ANGLES ±1.0°
FRACTIONAL SIZES XY ±1/64
INCHES MILLIMETERS
X = ±0.1 [X = ±2.5]
XX = ±0.01 [X = ±1.3]
.XXX = ±0.005 [.XX = ±0.13]



CONFIDENTIAL - PROPRIETARY - DO NOT COPY
THIS INFORMATION IS THE CONFIDENTIAL PROPERTY OF DIVERSITECH CORPORATION, AND IS NOT TO BE COPIED, REPRODUCED, OR TRANSMITTED IN ANY FORM OR BY ANY MEANS WITHOUT WRITTEN PERMISSION FROM DIVERSITECH CORPORATION.
DO NOT SCALE DRAWING
MATERIAL: AISI 1045 Steel / Sy >= 59ksi
DWG. NO. A/C Condensing Unit Wall Bracket Systems
DESCRIPTION
Models: QSWB2000, QSWB2000SS, QSWB4000 & QSWB4000SS
REV. A
28AUG17
SHEET 1 OF 5

4

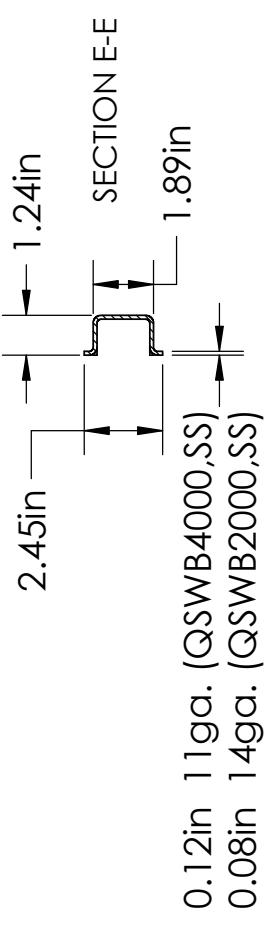
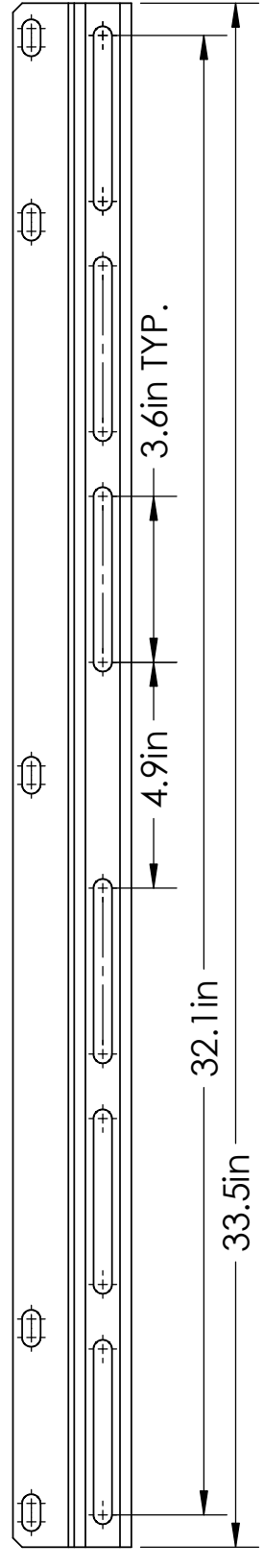
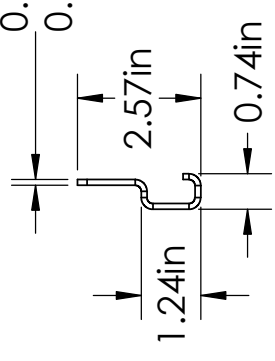
3

2

1

QSWB2000,SS and QSWB4000,SS Horizontal Glide Track

0.12in 11ga. (QSWB4000,SS)
0.08in 14ga. (QSWB2000,SS)

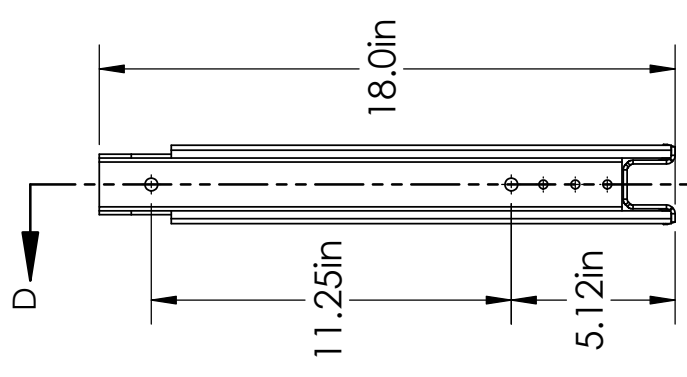


QSWB2000,SS and QSWB4000,SS Wall Bracket Systems are dimensionally identical except for the sheet metal thickness used to form each of the components. QSWB2000 uses 14ga. stock. QSWB4000 uses 11ga. stock.

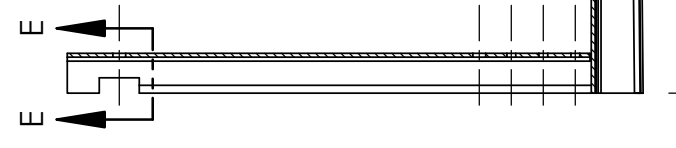


B

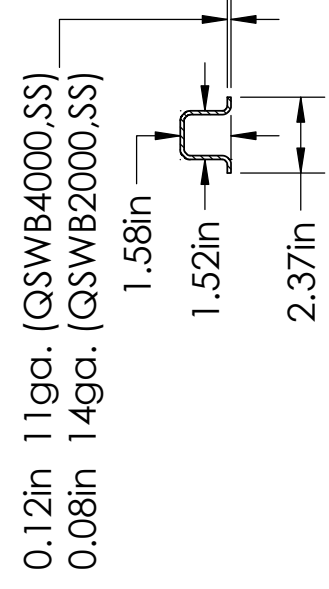
B



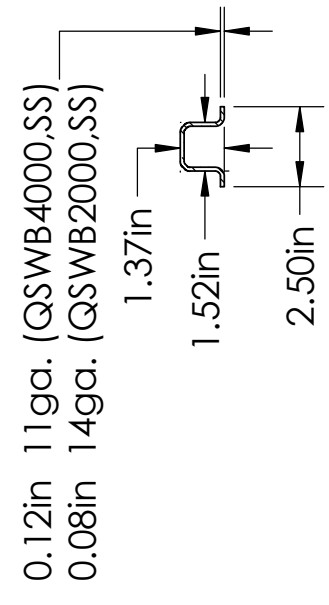
QSWB2000,SS and
QSWB4000,SS
L - Bracket



SECTION D-D

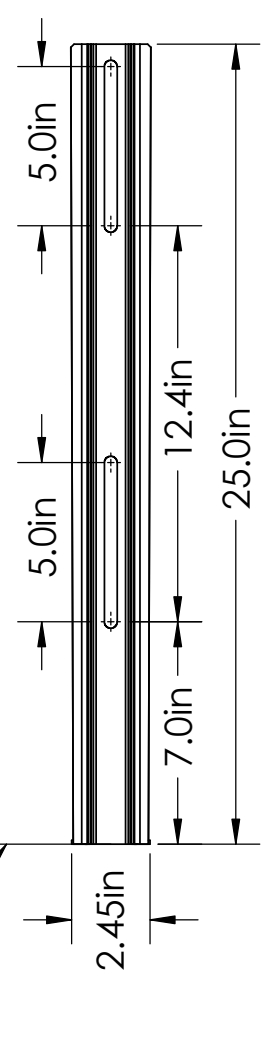


SECTION F-F



SECTION G-G

QSWB2000,SS
QSWB4000,SS
Bracket
Mounting
Face



QSWB2000,SS/QSWB4000,SS
Equipment Mounting Face

A

A

UNLESS OTHERWISE SPECIFIED:
DIMENSIONS ARE IN INCHES (MILLIMETERS)
TOLERANCES ARE: ANGLES ±1.0°
FRACTIONAL SIZES XY ±1/64

INCHES MILLIMETERS
X = ±0.1 [X = ±2.5]
XX = ±0.01 [X = ±1.3]
.XXX = ±0.005 [.XX = ±0.13]

THIRD ANGLE PROJECTION



CONFIDENTIAL - PROPRIETARY - DO NOT COPY
THE INFORMATION CONTAINED HEREIN IS THE
PROPERTY OF DIVERSITECH CORPORATION,
AND IS NOT TO BE COPIED, REPRODUCED,
OR TRANSMITTED IN ANY FORM OR BY ANY
MEANS WITHOUT THE WRITTEN PERMISSION
FROM DIVERSITECH CORPORATION.

DO NOT SCALE DRAWING

MATERIAL: AISI 1045 Steel / Sy >= 59ksi
DWG. NO. A/C Condensing Unit
Wall Bracket Systems

DESCRIPTION
Models: QSWB2000, QSWB2000SS, QSWB4000 & QSWB4000SS

REV. **A**
28AUG17
SHEET
2 OF 5

4

3

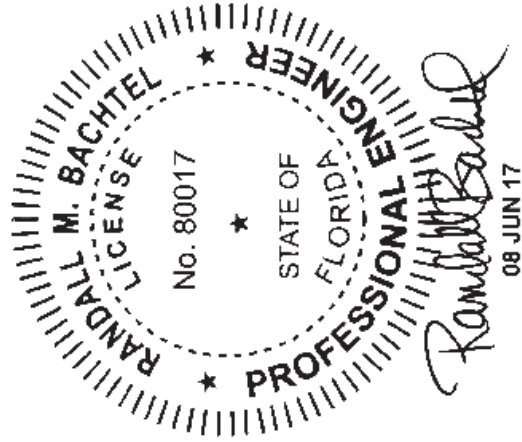
2

1

QSWB Wall Mounting Brackets

Installation Instructions – Professional Installation Required

1. Ensure that the supporting wall structure that the bracket will be mounted on is capable of supporting the weight of the air conditioner unit and bracket and can support the anchor loads as indicated on the QSWB specification sheet, Pgs. 1 & 3.
2. Use the correct size wall mounting bracket (QSWB2000 or QSWB4000) to match up with the condenser unit weight. See Pg-1.
3. Remove the three wall mounting bracket parts and bag of hardware from the box.
4. Mount the horizontal glide track to the wall using 3 of the 5 anchors. Lag screws for wood and expansion anchors for concrete. Alternate anchors can be used by following the anchor schedule found in the QSWB specification sheet, Pg-4.
5. Mount the L-brackets to the guide track by using the hardware provided. (NOTE: Insert the 1 \square x 3/8" bolts and washers thru the L-bracket into the spring nuts).
6. Insert 1/4–20 carriage bolts with nuts through the bottom side of the L-bracket for equipment mounting. Place rubber washer (vibration and noise reducers) and nut to the top of the L-bracket equipment mounting bar.



UNLESS OTHERWISE SPECIFIED:
DIMENSIONS ARE IN INCHES (MILLIMETERS)
TOLERANCES ARE: ANGLES $\pm 1.0^\circ$
FRACTIONAL SIZES XY $\pm 1/64$

INCHES	MILLIMETERS
X = ± 0.1	[X = ± 2.5]
XX = ± 0.01	[X = ± 1.3]
.XXX = ± 0.005	[.XX = ± 0.13]



CONFIDENTIAL - PROPRIETARY - DO NOT COPY
THE INFORMATION CONTAINED HEREIN IS THE CONFIDENTIAL PROPERTY OF DIVERSITECH CORPORATION, AND IS NOT TO BE COPIED, REPRODUCED, OR TRANSMITTED IN ANY FORM OR BY ANY MEANS WITHOUT THE WRITTEN PERMISSION FROM DIVERSITECH CORPORATION.

DO NOT SCALE DRAWING

MATERIAL: AISI 1045 Steel / $S_y \geq 59\text{ksi}$

DWG. NO. A/C Condensing Unit Wall Bracket Systems

DESCRIPTION
Models: QSWB2000, QSWB2000SS, QSWB4000 & QSWB4000SS

REV. **A**
28AUG17
SHEET **5** OF **5**