

Owner's Manual

Model

DFI2309

DFI2310








IMPORTANT SAFETY INFORMATION: Always read this manual first before attempting to install or use this fireplace. For your safety, always comply with all warnings and safety instructions contained in this manual to prevent personal injury or property damage.

To view the full line of Dimplex products, please visit www.dimplex.com

7205650300R04



Table of Contents

	Welcome & Congratulations	3
	IMPORTANT INSTRUCTIONS	4
	Fireplace Installation	7
	Operation	9
	Maintenance	11
	Warranty	13
	Technical Support.	16

Always use a qualified technician or service agency to repair this fireplace.

! NOTE: Procedures and techniques that are considered important enough to emphasize.

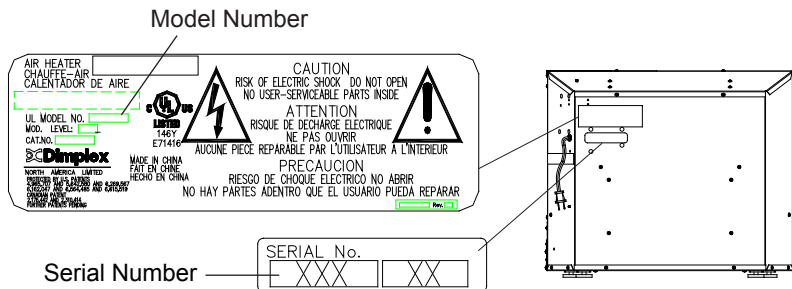
⚠ CAUTION: Procedures and techniques which, if not carefully followed, will result in damage to the equipment.

⚡ WARNING: Procedures and techniques which, if not carefully followed, will expose the user to the risk of fire, serious injury, or death.

Welcome & Congratulations

Thank you and congratulations for purchasing an electric fireplace from Dimplex. Please use our convenient online registration page to record your model and serial numbers for future reference at

www.dimplex.com/register




Please carefully read and save these instructions.

⚠ CAUTION: Read all instructions and warnings carefully before starting installation. Failure to follow these instructions may result in a possible electric shock, fire hazard and will void the warranty.



NO NEED TO RETURN TO THE STORE

Questions with operation or assembly? Require Parts Information?
Product Under Manufacturer's Warranty?

Contact us at:  www.dimplex.com/customer_support
For Troubleshooting and Technical Support

OR  **Toll-Free 1-888-DIMPLEX (1-888-346-7539)**

Monday to Friday 8:00 a.m. to 4:30 p.m. EST

In order to better serve you, please have your model and serial number ready or register your product online before calling (See above)



IMPORTANT INSTRUCTIONS

When using electrical appliances, basic precautions should always be followed to reduce the risk of fire, electric shock, and injury to persons, including the following:

- ① Read all instructions before using this heater.
- ② This heater is hot when in use. To avoid burns, do not let bare skin touch hot surfaces. The trim around the heater outlet becomes hot during heater operation. Keep combustible materials, such as furniture, pillows, bedding, papers, clothes, and curtains at least 3 feet (0.9 m) from the front of the heater and keep them away from the sides and rear.
- ③ Extreme caution is necessary when any heater is used by or near children or invalids and whenever the unit is left operating and unattended.
- ④ Always unplug the heater when not in use.
- ⑤ Do not operate any heater after it malfunctions. Disconnect power at the service panel and have the heater inspected by a reputable electrician before reusing.
- ⑥ Do not operate any unit with a damaged cord or plug, or if the heater has malfunctioned, or if the electric fireplace has been dropped or damaged in any manner, contact Dimplex Technical Service at 1-888-346-7539.
- ⑦ Do not use outdoors.
- ⑧ This heater is not intended for use in bathrooms, laundry areas and similar indoor locations. Never locate this heater where it may fall into a bathtub or other water container.
- ⑨ Do not run cord under carpeting. Do not cover cord with throw rugs, runners, or the like. Arrange cord away from traffic area and where it will not be tripped over.
- ⑩ To disconnect heater, turn controls to off, then remove plug from outlet.
- ⑪ Do not insert or allow foreign objects to enter any ventilation or exhaust opening as this may cause an electric shock or fire, or damage the heater.
- ⑫ To prevent a possible fire, do not block air intakes or exhaust in any manner.
- ⑬ All electrical heaters have hot and arcing or sparking parts



IMPORTANT INSTRUCTIONS

inside. Do not use in areas where gasoline, paint, or flammable liquids are used or stored.

⑭ Do not modify the heater. Use it only as described in this manual. Any other use not recommended by the manufacturer may cause fire, electric shock, or injury to persons.

⑮ This unit may have a polarized plug (one blade is wider than the other). The plug will fit in a polarized outlet only one way. If the plug does not fit fully in the outlet, reverse the plug. If it still does not fit, contact a qualified electrician to install the proper outlet.

⑯ Always plug heaters directly into a wall outlet/receptacle. Never use with an extension cord or relocatable power tap (outlet/power strip).

⑰ Do not burn wood or other materials in the Fireplace.

⑱ Do not strike the front glass.

⑲ Always use a certified electrician should new circuits or outlets be required.

⑳ Always use properly grounded, fused and polarized outlets.

㉑ Do not install the fireplace directly on carpet or a similar surface, which may restrict air circulation beneath the unit.

㉒ Disconnect all power supply before performing any cleaning, maintenance or relocation of the heater.

㉓ When transporting or storing the heater and cord, keep in a dry place, free from excessive vibration and store so as to avoid damage.



CAUTION
RISK OF ELECTRIC SHOCK
DO NOT OPEN
NO USER-SERVICEABLE PARTS INSIDE



SAVE THESE INSTRUCTIONS





IMPORTANT INSTRUCTIONS

This equipment has been tested and found to comply with the limits for Class B digital device, pursuant to part 15 of the FCC Rules. These limits are designed to provide reasonable protection against harmful interference in a residential installation. This equipment generates, uses and can radiate radio frequency energy and, if not installed and used in accordance with the instructions, may cause harmful interference to radio or television reception, which can be determined by turning the equipment off and on, the user is encouraged to try to correct the interference by one or more of the following measures:

- Reorient or relocate the receiving antenna.
- Increase the separation between the equipment and the receiver.
- Connect the equipment into an outlet on a circuit different from that to which the receiver is connected.
- Consult the dealer or an experienced radio/TV technician for help.

Operation is subject to the following two conditions: (1) this device may not cause interference and; (2) this device must accept any interference, including interference that may cause undesired operation of the device.

 **WARNING:** Remote control contains small batteries keep away from children. If swallowed seek medical attention immediately.

 **WARNING:** Do not install battery backwards, charge, put in fire or mix with used or other battery types - may explode or lead causing injury.

! **NOTE:** Changes or modifications not expressly approved by the party responsible for compliance could void user's authority to operate the equipment.



Fireplace Installation

⚠ WARNING: Ensure the power cord is not installed so that it is pinched or against a sharp edge and ensure that the power cord is stored or secured to avoid tripping or snagging to reduce the risk of fire, electric shock or injury to persons.

⚠ WARNING: Construction and electrical outlet wiring must comply with local building codes and other applicable regulations to reduce the risk of fire, electric shock and injury to persons.

⚠ WARNING: Do not attempt to wire your own new outlets or circuits. To reduce the risk of fire, electric shock or injury to persons, always use a licensed electrician.

⚠ WARNING: To reduce the risk of fire, do not store or use gasoline or other flammable vapors or liquids in the vicinity of the heater.

⚠ CAUTION: High temperature, risk of fire, keep electrical cords, drapery, furnishings, and other combustibles at least 3 ft (0.9 m) from the front of the heater.

! NOTE: A 15amp, 120-volt circuit is required. A dedicated circuit is preferred but not essential in all cases. A dedicated circuit will be required if, after installa-

tion, the circuit breaker trips or the fuse blows on a regular basis when the heater is operating. Additional appliances on the same circuit may exceed the current rating of the circuit breaker.

⚠ CAUTION: Clearance for air circulation beneath the fireplace insert is provided by two rubber feet. **Do not install the fireplace insert directly on carpet or similar surfaces which may restrict air circulation.**

⚠ CAUTION: If installing the fireplace in a carpeted area, place a one-piece, solid, flat surface under the fireplace. Ensure that both of the feet rest securely on this surface.

! NOTE: The electric insert must be installed in an opening with the **minimum** dimensions 24 in. (61 cm) wide, 21.5 in. (54.6 cm) high and 12 in. (30.5 cm) deep. The fireplace does not require any additional venting (Figure 1).

Existing Fireplace

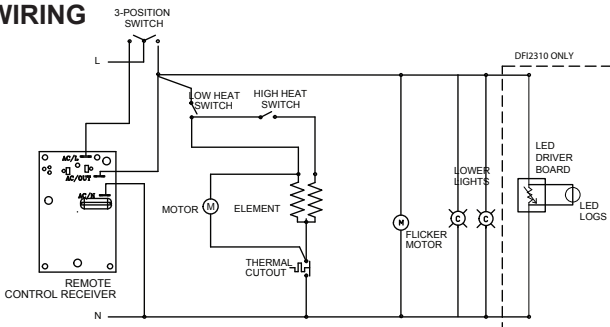
1. Seal all drafts and vents with a non-fibrous insulation material to prevent any chimney debris from falling onto the fireplace. Do not install into an existing

Fireplace Installation

- fireplace that is prone to dampness.
2. Cap the top of the chimney flue to prevent rain from entering.
 3. Plan your electric power supply.
 4. Install an outlet into the existing fireplace. If an outlet is not installed into the existing fireplace the power cord can also run along the front of the hearth to an outlet near the fireplace.
 5. Ensure the insert power is off (see Operation). Plug the insert into the outlet and slide the unit into the existing fireplace.
 6. Push the insert into the firebox and center within the opening. Adjust the four feet on the bottom of the insert by turning counter clockwise to raise and clockwise to lower so that is level with the existing fireplace hearth.
 7. Install the trim kit onto the fireplace insert (if applicable) and push the trim and or insert back until the trim is flat against the finished wall.

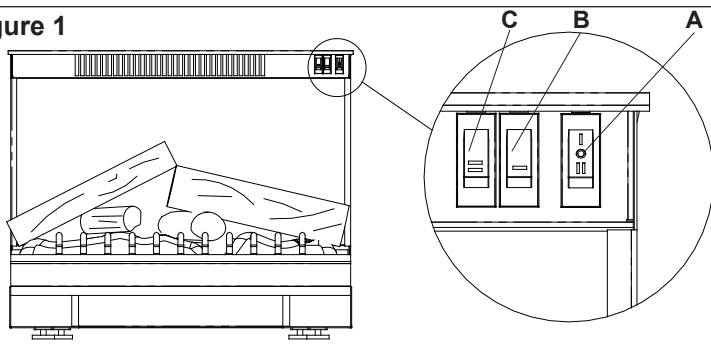
⚠ WARNING: The fireplace insert can be used with existing fireplace and screens. Due to the heat produced from the heater, existing fireplace screens must provide adequate air flow in front of the unit. **Do not use existing fireplace doors that close, sealing off the fireplace insert from the room. If installed behind bi-fold doors, doors must be open to allow heat to be exhausted.**

WIRING



Operation

Figure 1



⚠ WARNING: This electric firebox must be properly installed before it is used.

Manual Controls

A - 3-Position Switch

The switch has two On positions marked with “ I ” and “ II ”. The “ I ” position is for manual operation. In this position the built-in remote control is bypassed.

The “ II ” position is for operating the unit with the provided remote control. When in “ II ” position the unit is operated with the ON and OFF buttons of the remote control.

When the switch is in the center (“ O ”) position the unit is off.

B - Low Heat On/Off Switch

The Low Heat On/Off Switch supplies power to the heater fan

and the heater element. When the switch is in the ON position the heater operates on LOW.

C - High Heat Switch

The High Heat On/Off Switch supplies power to the heater fan and the heater element, when the switch is in the ON position the heater operates on HIGH. The Low Heat Switch must also be in the ON position for the high heat setting to operate.

! NOTE: The heater on your fireplace may emit a slight, harmless odor when first used. This odor is a normal condition caused by the initial heating of internal heater parts and will not occur again.

Resetting the Temperature Cut-off Switch

The heater is protected with a

Operation

safety device to prevent overheating. Should the heater overheat, an automatic cut out will turn the heater off and it will not come back on without being reset. It can be reset by switching the 3-Position Switch (Figure 1A) to Off (“O” position) and waiting five minutes before switching the unit back on.

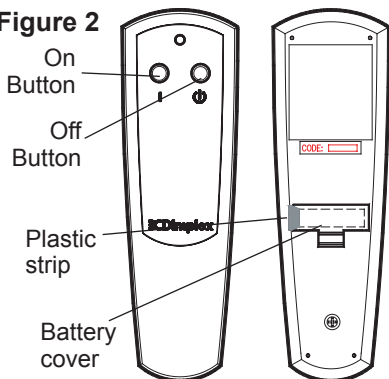
CAUTION: If you need to continuously reset the heater, unplug the unit and call your local dealer.

Remote Control (Figure 2)

The fireplace is supplied with an integrated On/Off remote control.

NOTE: Ensure that the fireplace’s 3-Position Switch is set to the remote control setting (“II” position).

Figure 2



To operate, push the ON button to turn fireplace on, push the OFF button to turn the fireplace off.

NOTE: Before attempting any operation with the remote, pull the plastic insulator strip out from between the remote casing and battery cover

Remote Control Initialization/Reprogramming

In the event that your remote control ceases to operate your fireplace, follow these steps to re-initialize the remote control and the remote control receiver in the fireplace:

1. Place the 3-Position Switch (Figure 1A) in the Off (“O”) position.
2. Wait a minimum of five seconds and then place the 3-Position Switch in the Remote Control (“II”) position.
3. Within 10 seconds of changing the switch position, press the ON button located on the remote control (Figure 2).

This will synchronize the remote control and the fireplace receiver.

NOTE: You will have only 10 seconds to perform this last step. Failure to do so will result

Operation

in these steps needing to be followed again.

Battery Replacement

To replace the battery:

1. Slide battery cover open on the hand held transmitter
2. Correctly install one 12 Volt (A23) battery in the battery

holder.

3. Close the battery cover.



Battery must be recycled or disposed of properly. Check with your Local Authority or Retailer for recycling advice in your area.



Maintenance

⚠ WARNING: Disconnect power before attempting any maintenance or cleaning to reduce the risk of fire, electric shock or damage to persons.

! NOTE: The fireplace should not be operated with an accumulation of dust or dirt on or in the unit, as this can cause a build up of heat and eventual damage. For this reason the heater must be inspected regularly, depending upon conditions and at least at yearly intervals.

Light Bulb Replacement

Light bulbs need to be replaced when you notice a dark section of the flame. There are two bulbs under the log set which generate the flames and embers.

Light Bulb Requirements

Quantity 2 clear chandelier or candelabra bulbs with an E-12 (small) socket base, 60 Watt rating. Example: GE 60BC or Philips 60CTC. **Do not exceed 60 Watts per bulb.**

Replacement:

⚠ CAUTION: Allow at least 10 minutes for the light bulbs and heater to cool before attempting any maintenance or cleaning.

1. With a Phillips screwdriver remove the screws from the Log Grate (Figure 3).
2. Remove the Log Set by lifting straight up.

! NOTE: Log Set fits tightly



Maintenance

into firebox, some force may be necessary to remove.

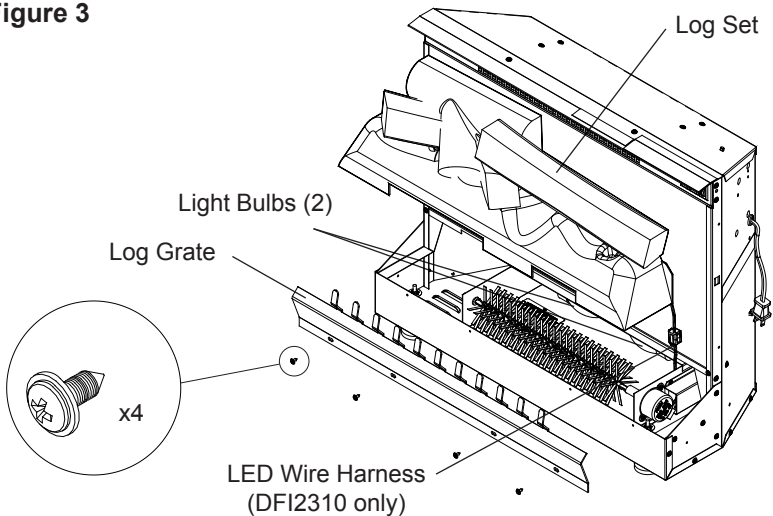
3. Disconnect the Log Set LED Wire Harness from the unit (DFI2310 only).
4. Unscrew the bulbs counter clockwise.
5. Insert and install new bulbs.
6. Reconnect the Log Set LED Wire Harness to unit (DFI2310 only).
7. Replace the Log Set into the insert.
8. Replace Log Grate and install screws from step 2.

Glass Cleaning

The glass is cleaned in the factory during the assembly operation. During shipment, installation, handling, etc., the glass surface may collect dust particles, these can be removed by buffing lightly with a clean dry cloth.

To remove fingerprints or other marks, the glass can be cleaned with a damp cloth using a good quality household glass cleaner. The glass should be completely dried with a lint free cloth or paper towel. Do not use abrasive cleaners on glass surface or spray

Figure 3





Maintenance

liquids directly onto any surface.

Fireplace Surface Cleaning

Use warm water only to clean painted surfaces of the Compact Fireplace. Do not use abrasive cleaners.

Servicing

Except for light bulb replacement and cleaning described above, an authorized service representative should perform any other servicing.



Warranty

One Year Limited Warranty

Products to which this limited warranty applies

This limited warranty applies to the following models of your newly purchased Dimplex electric fireplace **6901470100**, **DFI2309**, **6901470200**, **DFI2310** and to newly purchased Dimplex fireplace surrounds (mantels) and trims. This limited warranty applies only to purchases made in any province of Canada *except* for Yukon Territory, Nunavut, or Northwest Territories or in any of the 50 States of the USA (and the District of Columbia) *except* for Hawaii and Alaska. This limited warranty applies to the original purchaser of the product only and is not transferable.

Products excluded from this limited warranty

Light bulbs are not covered by this limited warranty and are the sole responsibility of the owner/purchaser. Products purchased in Yukon Territory, Nunavut,

Northwest Territories, Hawaii, or Alaska are not covered by this limited warranty. Products purchased in these States, provinces, or territories are sold AS IS without warranty or condition of any kind (including, without limitation, any implied warranties or conditions of merchantability or fitness for a particular purpose) and the entire risk of as to the quality and performance of the products is with the purchaser, and in the event of a defect the purchaser assumes the entire cost of all necessary servicing or repair.

What this limited warranty covers and for how long

Products covered by this limited warranty have been tested and inspected prior to shipment and, subject to the provisions of this warranty, Dimplex warrants such products to be free from defects in material and workmanship for a period of 12 months from the date of the first purchase of such product.



Warranty

The limited 12 month warranty period also applies to any implied warranties that may exist under applicable law. Some jurisdictions do not allow limitations on how long an implied warranty lasts, so the above limitation may not apply to the purchaser.

What this limited warranty does not cover

This limited warranty does not apply to products that have been repaired (except by Dimplex or its authorized service representatives) or otherwise altered. This limited warranty does further not apply to defects resulting from misuse, abuse, accident, neglect, incorrect installation, improper maintenance or handling, or operation with an incorrect power source.

What you must do to get service under this limited warranty

Defects must be brought to the attention of Dimplex Technical Service by contacting Dimplex at 1-888-DIMPLEX (1-888-346-7539), or 1367 Industrial Road, Cambridge Ontario, Canada N3H 4W3. Please have proof of purchase, catalogue/model and serial numbers available when calling. Limited warranty service requires a proof of purchase of the product.

What Dimplex will do in the event of a defect

In the event a product or part covered by this limited warranty is proven to be defective in material or workmanship during the 12 month limited warranty period you have the following rights:

- Dimplex will in its sole discretion either repair or replace such defective product or part without charge. If Dimplex is unable to repair or replace such product or part, or if repair or replacement is not commercially practicable or cannot be timely made, Dimplex may, in lieu of repair or replacement, choose to refund the purchase price for such product or part.

- Limited warranty service will be performed solely by dealers or service agents of Dimplex authorized to provide limited warranty services.
- The purchaser is responsible for removal and transportation of such product or part (and any repaired or replacement product or part) to and from the authorized dealer's or service agent's place of business.
- This limited warranty does not entitle the purchaser to on-site or in-home services. On-site or in-home services may be performed at the purchaser's specific request and expense at Dimplex's then-current rates for such services.
- Dimplex will not be responsible for, and the limited warranty services shall not include, any expense incurred for installation or removal of the product or part (or any replacement product or part) or any labour or transportation costs. Such costs shall be the purchaser's responsibility.

What Dimplex and its dealers and service agents are also not responsible for:

IN NO EVENT WILL DIMPLEX, OR ITS DIRECTORS, OFFICERS, OR AGENTS, BE LIABLE TO THE PURCHASER OR ANY THIRD PARTY, WHETHER IN CONTRACT, IN TORT, OR ON ANY OTHER BASIS, FOR ANY INDIRECT, SPECIAL, PUNITIVE, EXEMPLARY, CONSEQUENTIAL, OR INCIDENTAL LOSS, COST, OR DAMAGE ARISING OUT OF OR IN CONNECTION WITH THE SALE, MAINTENANCE, USE, OR INABILITY TO USE THE PRODUCT, EVEN IF DIMPLEX OR ITS DIRECTORS, OFFICERS, OR AGENTS HAVE BEEN ADVISED OF THE POSSIBILITY OF SUCH LOSSES, COSTS OR DAMAGES, OR IF SUCH LOSSES, COSTS, OR DAMAGES ARE



Warranty

FORESEEABLE. IN NO EVENT WILL DIMPLEX, OR ITS OFFICERS, DIRECTORS, OR AGENTS BE LIABLE FOR ANY DIRECT LOSSES, COSTS, OR DAMAGES THAT EXCEED THE PURCHASE PRICE OF THE PRODUCT.

SOME JURISDICTIONS DO NOT ALLOW THE EXCLUSION OR LIMITATION OF INCIDENTAL OR CONSEQUENTIAL DAMAGES, SO THE ABOVE LIMITATION OR EXCLUSION MAY NOT APPLY TO THE PURCHASER.

How State and Provincial law apply

This limited warranty gives you specific legal rights, and you may also have other rights which vary from jurisdiction to jurisdiction. The provisions of the United Nations Convention on Contracts for the Sale of Goods shall not apply to this limited warranty or the sale of products covered by this limited warranty.



Technical Support

Technical and troubleshooting support, as well as a list of replacement parts can be found on

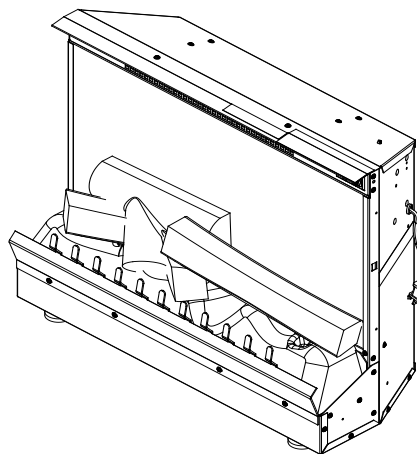
www.dimplex.com/customer_support.



Dimplex North America Limited

1367 Industrial Road
Cambridge ON
Canada N3H 4W3

© 2013 Dimplex North America Limited



Manuel du propriétaire

Modèle

DFI2309

DFI2310








CONSIGNES DE SÉCURITÉ IMPORTANTES : Toujours lire le présent manuel avant d'essayer d'installer ou d'utiliser ce foyer. Pour votre sécurité, toujours respecter tous les avertissements et suivre les consignes de sécurité compris dans le présent manuel afin de prévenir les blessures ou les dommages matériels.

Pour découvrir la gamme complète de produits Dimplex, visiter www.dimplex.com

7205650300R04



Table des matières

 Bienvenue et félicitations.	3
 INSTRUCTIONS IMPORTANTES	4
 Installation du foyer électrique	7
 Utilisation	9
 Entretien	11
 Garantie	13
 Service d'assistance technique	16

Toujours recourir aux services d'un technicien qualifié ou d'une entreprise de services de maintenance pour faire réparer ce foyer.

! NOTA : Marches à suivre et techniques considérées suffisamment importantes pour qu'on les souligne.

⚠ MISE EN GARDE : Marches à suivre et techniques dont le non-respect pourrait causer des dommages matériels.

⚠ AVERTISSEMENT : Marches à suivre et techniques qui, si elles ne sont pas bien respectées, exposeront l'utilisateur à des risques d'incendie, de blessure grave ou de décès.

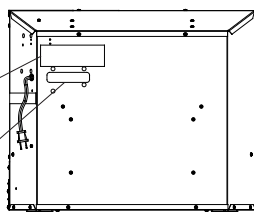


Bienvenue et félicitations

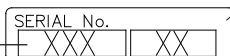
Merci et félicitations d'avoir acheté un foyer électrique fabriqué par Dimplex. Veuillez utiliser notre page d'inscription en ligne pour inscrire votre modèle et vos numéros de série à des fins de référence ultérieure à l'adresse

www.dimplex.com/enregister

Numéro de modèle



Numéro de série



Lire ces consignes attentivement et les conserver.


⚠ MISE EN GARDE: Lire attentivement toutes les consignes et tous les avertissements avant de procéder à l'installation. Le non-respect de ces consignes pourrait entraîner un risque de choc électrique ou d'incendie et annulera la garantie.



ARRÊT IL N'EST PAS NÉCESSAIRE D'ALLER AU MAGASIN

Des questions à propos de l'utilisation ou du montage? Besoin d'information sur les pièces?
Besoin d'information à propos d'un produit sous une garantie du fabricant?

Communiquer avec nous à :  www.dimplex.com/customer_support
Pour le dépannage et le Service d'assistance technique

OU  **Sans frais au 1-888-DIMPLEX (1-888-346-7539)**

Du lundi au vendredi, de 8 h à 16 h 30 HE

Afin que nous puissions mieux vous servir, veuillez avoir votre modèle et votre numéro de série à portée de main ou veuillez inscrire votre produit en ligne avant de téléphoner (voir ci-dessus).

INSTRUCTIONS IMPORTANTES

Lorsqu'un appareil électrique est utilisé, il est important de toujours prendre des précautions de base pour réduire les risques d'incendie, de chocs électriques et de blessures, notamment:

- ① Lire toutes les instructions avant de se servir du foyer compact.
- ② L'appareil devient chaud lorsqu'il est en marche. Pour éviter les brûlures, ne pas toucher les surfaces chaudes. La bordure autour de la bouche de chaleur devient chaude lorsque les éléments chauffent. Garder à au moins 0,9 m (3 pi) de l'appareil tout matériel combustible : meubles, oreillers, literie, papier, vêtements et rideaux et garder également ce matériel combustible éloigné des côtés et de l'arrière de l'appareil.
- ③ Faire preuve d'une grande prudence lorsque l'appareil est utilisé par des enfants ou des personnes handicapées, s'il est en marche à proximité d'eux, ou s'il est en marche et laissé sans surveillance.
- ④ Toujours débrancher le foyer compact lorsqu'il ne sert pas.
- ⑤ Ne pas utiliser un appareil de chauffage après une défaillance. Interrompre le courant au tableau de commande et faire inspecter l'appareil par un électricien qualifié avant de réutiliser l'appareil.
- ⑥ Ne pas se servir de l'appareil si la fiche ou le cordon sont endommagés, si les éléments chauffants fonctionnent mal ou si le foyer électrique est tombé ou est endommagé de quelque manière que ce soit. Communiquer avec le service technique de Dimplex au 1-888-346-7539.
- ⑦ Ne pas utiliser à l'extérieur.
- ⑧ Le foyer compact n'est pas conçu pour être utilisé dans la salle de bain, la salle de lavage et autres endroits semblables à l'intérieur. Ne pas utiliser l'appareil à proximité d'une baignoire ou de tout autre réservoir d'eau dans lequel il pourrait tomber.
- ⑨ Éviter de passer le cordon sous un tapis. Ne pas couvrir le cordon de carpettes, de tapis de couloir ou autres. Éloigner le cordon des endroits passants et de tout endroit où une personne pourrait tomber en s'accrochant dans le fil.
- ⑩ Pour débrancher le foyer, éteindre l'appareil avant de retirer la fiche de la prise de courant.
- ⑪ Ne pas introduire d'objets dans la prise d'air de ventilation ou la bouche de sortie d'air, car cela pourrait causer des chocs électriques, provoquer un incendie ou endommager les éléments chauffants.
- ⑫ Pour éviter les incendies, ne pas obstruer l'entrée ou la sortie d'air d'aucune façon.

INSTRUCTIONS IMPORTANTES

⑬ Tous les appareils chauffants électriques contiennent des pièces qui peuvent produire des décharges et des étincelles. Ne pas faire fonctionner dans des endroits où de l'essence, de la peinture et autres produits inflammables sont utilisés ou rangés.

⑭ Ne pas apporter de modifications à ce foyer. Se servir du foyer uniquement de la façon décrite dans le présent guide. Toute autre utilisation non recommandée par le fabricant peut provoquer un incendie, occasionner des chocs électriques ou blesser quelqu'un.

⑮ Afin de réduire les risques de chocs électriques, cet appareil dispose d'une fiche polarisée (l'une des broches est plus large que l'autre). La fiche se branche dans une prise polarisée dans un sens seulement. Si la fiche n'entre pas complètement dans la prise, tourner la fiche. Si la fiche n'entre toujours pas, communiquer avec un électricien qualifié pour installer une prise adéquate. Ne pas tenter de changer la fiche.

⑯ Toujours brancher les appareils di-

rectement dans une prise de courant murale. Ne jamais utiliser de rallonge ou de barre d'alimentation portative.

⑰ Ne pas brûler de bois ni d'autres matériaux dans ce foyer compact.

⑱ Ne pas heurter la vitre frontale du foyer.

⑲ Toujours faire appel à un électricien certifié pour l'installation de nouveaux circuits ou de nouvelles prises de courant.

⑳ Toujours se servir de prises correctement mises à la terre, polarisées et protégées.

㉑ Ne pas installer le foyer directement sur un tapis ou sur une surface similaire pouvant empêcher l'air de circuler sous l'appareil.

㉒ Fermer toute source d'alimentation électrique de l'appareil avant de le nettoyer, de le réparer ou de le déplacer.

㉓ Lors du transport ou de l'entreposage de l'appareil, le conserver dans un endroit sec et à l'abri de vibrations excessives, et le ranger pour éviter qu'il ne s'endommage.

MISE EN GARDE

RISQUE DE CHOC ÉLECTRIQUE - NE PAS OUVRIR
AUCUNE PIÈCE DONT L'ENTRETIEN PEUT ÊTRE EFFECTUÉ
PAR L'UTILISATEUR NE SE TROUVE À L'INTÉRIEUR




CONSERVER CES INSTRUCTIONS


INSTRUCTIONS IMPORTANTES

Cet appareil a été testé et jugé conforme aux limites autorisées pour un dispositif numérique de classe B, en vertu de la partie 15 des règlements de la FCC. Ces limites visent à offrir une protection raisonnable contre les interférences nuisibles dans une installation résidentielle. Ce produit génère, utilise et peut émettre de l'énergie radioélectrique. S'il n'est pas installé et utilisé selon les instructions, il peut causer des interférences nuisibles à la réception des signaux de radio ou de télévision, ce qui peut être vérifié en mettant le commutateur de l'appareil en position de marche puis d'arrêt. Nous recommandons à l'utilisateur de tenter d'éliminer les interférences à l'aide d'une ou de plusieurs des mesures suivantes:

- Changer l'orientation ou l'emplacement de l'antenne réceptrice.
- Augmenter la distance entre l'appareil et le récepteur.
- Brancher l'appareil dans une prise ou sur un circuit autre que celui où le récepteur est branché.
- Consulter le détaillant ou un technicien radio/télévision expérimenté pour obtenir de l'aide.

L'utilisation de l'appareil est assujettie aux deux conditions suivantes: (1) L'appareil ne doit pas causer d'interférences et (2) L'appareil doit accepter toute interférence captée, y compris les interférences susceptibles de causer un fonctionnement indésirable de l'appareil.

 **AVERTISSEMENT:** La télécommande contient de petites piles. Tenez-les hors de la portée des enfants. En cas d'ingestion, consultez un médecin immédiatement.

 **AVERTISSEMENT:** N'installez pas les piles à l'envers, ne les rechargez pas ne les jetez pas au feu et ne les combinez pas à des piles usagées ou d'un autre type; elles risqueraient d'exploser ou de fuir et de causer des blessures.

! NOTA : Les modifications non autorisées expressément par la partie responsable de la conformité peuvent annuler le droit de l'utilisateur de se servir de cet appareil.



Installation du foyer électrique

⚠ AVERTISSEMENT : Veiller à ce que le cordon d'alimentation ne soit ni coincé ni placé contre un bord tranchant, mais rangé ou placé de façon à éviter tout risque d'accrochage susceptible de causer un incendie, des chocs électriques ou des blessures.

⚠ AVERTISSEMENT : Afin de réduire les risques d'incendie, de chocs électriques et de blessures, tous les travaux de construction et de câblage doivent être conformes au Code du bâtiment et aux autres règlements qui s'appliquent.

⚠ AVERTISSEMENT : Ne pas faire l'installation des nouvelles prises ni des nouveaux circuits électriques soi-même. Pour minimiser les risques d'incendie, de chocs électriques et de blessures, toujours faire appel à un électricien diplômé.

⚠ AVERTISSEMENT : Pour réduire les risques d'incendie, ne pas stocker, n'utiliser d'essence ou d'autres vapeurs ou liquides inflammables à proximité du chauffe-eau.

⚠ MISE EN GARDE : Température élevée - risque d'incendie; garder les cordons électriques, les rideaux, les accessoires d'aménagement et autres matières combustibles à moins de 0,9 mètre (3 pieds) du

devant de l'appareil.

! NOTA : Un circuit de 15 ampères et de 120 volts est nécessaire. Un circuit spécialisé est préférable, mais pas essentiel dans tous les cas. Un circuit spécialisé sera nécessaire si, après l'installation, le disjoncteur se déclenche ou si le fusible saute régulièrement lorsque les éléments chauffants sont en fonction. L'ajout d'appareils sur un même circuit peut entraîner un dépassement du courant nominal du disjoncteur.

⚠ MISE EN GARDE : Les deux patentes en caoutchouc procurent le dégagement nécessaire à la circulation de l'air sous le foyer. **Ne pas installer le foyer directement sur un tapis ou toute autre surface susceptible de réduire la circulation d'air sous l'appareil.**

! NOTA : L'insert de foyer électrique doit être installé dans une structure en maçonnerie ayant une ouverture MINIMALE de 24 po (61 cm) de largeur, de 21,5 po (54,6 cm) de hauteur et de 12 po (30,5 cm) de profondeur. Cette foyer n'exige aucune mise à l'air libre additionnelle

Foyer existant

1. À l'aide de matériaux isolants non fibreux, sceller toutes les ouvertures et les conduites pour éviter que des débris de cheminée ne se déposent sur le foyer.


Installation du foyer électrique

Ne pas installer le foyer dans un endroit exposé à l'humidité.

2. Capuchonner le haut du conduit de la cheminée pour empêcher la pluie de pénétrer.
3. Planifier l'alimentation électrique.
4. Poser une prise de courant dans l'espace du foyer existant. Sinon, il est possible de laisser le cordon d'alimentation courir le long de l'âtre avant à une prise de courant se trouvant à proximité du foyer
5. S'assurer que le foyer est hors tension (voir fonctionnement à la page 8). Brancher le foyer dans la prise de courant et faire glisser l'appareil dans l'espace du foyer existant.
6. Enfoncer le foyer à l'intérieur et le placer de façon à ce qu'il soit centré dans l'ouverture. Pour régler la hauteur des 4 pattes sous l'appareil, les tourner dans le sens des aiguilles d'une

montre pour les monter et en sens inverse des aiguilles d'une montre pour les abaisser. Le foyer sera ainsi de niveau avec le foyer existant.

7. Installer la bordure autour du foyer (si l'inclus avec de foyer électrique) et appuyer sur la bordure et(ou) enfoncer le foyer jusqu'à ce que la bordure soit bien appuyée contre le mur fini.

 **AVERTISSEMENT** : Il est possible d'utiliser le pare-étincelles du foyer existant avec l'insert de foyer électrique. Comme les éléments chauffants génèrent de la chaleur, il faut toutefois s'assurer que ces accessoires permettent une circulation d'air adéquate à l'avant de l'appareil.

Ne pas se servir des portes du foyer existant si elles ferment de façon étanche. Si vous utilisez une double porte pliante, les portes doivent être ouvertes pour permettre à la chaleur de s'échapper.

Câblage

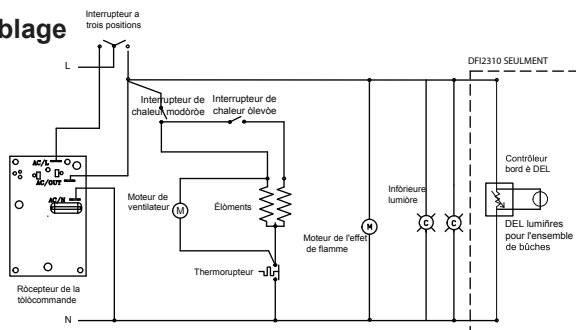
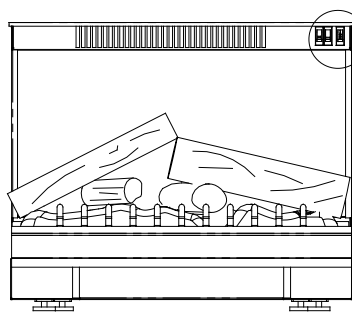


Figure 1



⚠ AVERTISSEMENT : Ce foyer électrique doit être installé correctement avant son utilisation.

Commandes manuelles

A - Interrupteur a trois position

L'interrupteur a deux positions indiquées avec « I » et « II ». La position « I » est pour operation manuelle. A cette position la telecommande integree ne fonctionne pas.

La position « II » est pour operer le foyer electique avec la telecommande. A cette position « II » vous pouvez operer le foyer electique avec les boutons Marche et Arret sur la telecommande.

Lorsque l'interrupteur est place au milieu « O » le foyer ne fonctionnera pas.

B - Interrupteur de chaleur modérée

L'interrupteur de chaleur modérée alimente le ventilateur et l'élément chauffant du foyer. Lorsque l'inter-

rupteur est à la position MARCHÉ, l'élément chauffant est réglé à faible température.

C - Interrupteur de chaleur élevée

L'interrupteur de chaleur élevée alimente le ventilateur et l'élément chauffant du foyer. Lorsque l'interrupteur est à la position MARCHÉ, l'élément chauffant est réglé à température élevée. L'interrupteur de chaleur modérée doit aussi être à la position MARCHÉ pour que la fonction de chaleur élevée fonctionne.

! NOTA : Au cours de la première utilisation, les éléments chauffants peuvent dégager une légère odeur inoffensive, car ils chauffent pour la première fois. Cette situation est normale et ne devrait plus se produire par la suite.

Réarmement du disjoncteur du circuit de la température

Cet appareil est doté d'un thermostat

Utilisation

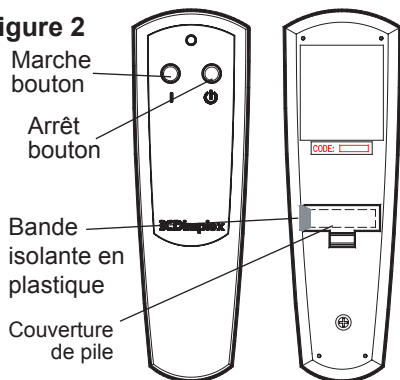
qui permet de commander la température de la pièce en activant ou en désactivant l'élément chauffant. L'appareil est protégé grâce à un dispositif de sécurité qui empêche la surchauffe. En cas de surchauffe, un coupe-circuit automatique désactivera l'appareil qui ne fonctionnera pas tant que le disjoncteur n'aura pas été réarmé. Le réarmement de l'appareil s'effectue en mettant l'interrupteur Marche/Arrêt en position Arrêt et en attendant cinq minutes avant de le remettre en position Marche.

⚠ MISE EN GARDE : Si vous devez remettre à zéro le réchauffeur continuellement, débranchez l'unité et appelez votre détaillant local.

Télécommande (Figure 3)

Le foyer électrique est muni d'une télécommande Marche / Arrêt intégrée.

Figure 2



! NOTA : S'assurer que interrupteur à trois positions du foyer est en mode « Télécommande » (« II »).

Pour activer le foyer, appuyer sur le bouton MARCHÉ; pour le désactiver, appuyer sur le bouton ARRÊT.

! NOTA : Avant d'effectuer toute opération avec la télécommande, retirez la bande isolante en plastique à partir entre le boîtier de la télécommande et le couvercle de la batterie.

Initialisation / Reprogrammer télécommande

Si la télécommande ne permet plus de faire fonctionner votre foyer, veuillez suivre les étapes suivantes pour réinitialiser la télécommande et le récepteur de la télécommande à l'intérieur du foyer :

1. Placer l'interrupteur principal à trois positions (Figure 1A) à la position « Arrêt » (« O »).
2. Attendre au moins cinq secondes, puis placer l'interrupteur principal à trois positions à la position « Télécommande » (« II »).
3. Moins de 10 secondes après avoir effectué ce changement, appuyer sur la touche marche située sur la télécommande (Figure 3).

La télécommande et le récepteur du foyer seront ainsi synchronisés.

! NOTA : Cette dernière étape doit être effectuée en moins de 10

Utilisation

secondes. Dans le cas contraire, toutes ces étapes devront être effectuées de nouveau.

Remplacement de la pile

Pour remplacer la pile :

1. Ouvrir le compartiment à pile situé sur la télécommande (Figure 2).
2. Installer correctement une pile de 12 volts (A23) dans le comparti-

ment à pile.

3. Refermer le couvercle du compartiment.



La batterie doit être recyclés ou éliminés de façon appropriée. Vérifiez auprès de votre municipalité ou votre revendeur pour obtenir des conseils dans votre région.



Entretien

⚠ AVERTISSEMENT : Débrancher l'appareil avant tout entretien ou nettoyage afin de réduire le risque d'incendie, de chocs électriques ou de blessures.

! NOTA : L'appareil ne doit pas fonctionner si de la poussière ou de la saleté se sont accumulées sur l'appareil. Cela pourrait entraîner une accumulation de chaleur qui pourrait à son tour causer des dommages. Pour cette raison, l'appareil doit être inspecté régulièrement, selon ses conditions d'utilisation, et au moins une fois par année.

Remplacement des ampoules électriques

Les ampoules électriques doivent être remplacées lorsqu'une section sombre survient dans les flammes. Il y a deux ampoules se trouvant sous

les bûches qui produisent les flammes et les braises.

Ampoules requises

Deux (2) ampoules transparentes de style chandelier ou candélabre à culot E-12 (petit) de 60 watts. Exemple: GE 60BC ou Philips 60CTC. **Ne pas dépasser 60 watts par ampoule.**

Remplacement:

⚠ MISE EN GARDE : Attendre au moins 10 minutes que les ampoules et que les éléments chauffants refroidissent avant d'effectuer toutes réparations ou tout nettoyage.

1. À l'aide d'un tournevis à tête plate, enlever les vis extérieures de la grille (Figure 3).
2. Retirer l'ensemble de bûches en soulevant.

! NOTA : L'ensemble de bûches et de braises est solidement accroché



Entretien

au foyer, il faudra peut-être user de force pour le retirer.

3. Débranchez de l'appareil le faisceau de câbles à DEL de l'ensemble de bûches (DFI2310 seulement).
4. Dévisser les ampoules dans le sens contraire des aiguilles d'une montre.
5. Insérez et installez les nouvelles ampoules.
6. Rebranchez à l'appareil le faisceau de câbles à DEL de l'ensemble de bûches (DFI2310 seulement).
7. Remettre en place l'ensemble de bûches dans le foyer.
8. Pousser sur l'ensemble d'éclairage pour le remettre en place

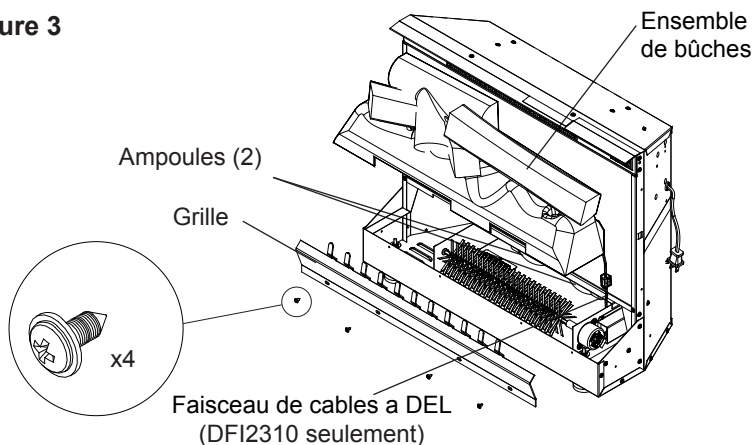
dans le foyer et poser les vis extérieures de la grille.

Nettoyage de la vitre

Le verre est nettoyé dans l'usine pendant l'opération d'assemblage. Pendant l'expédition, l'installation, la manipulation, etc., la surface de verre peut rassembler des particules de poussière, ceux-ci peut être enlevée en polissant légèrement avec un tissu sec propre. Pour enlever des empreintes digitales ou d'autres marques, le verre peut être nettoyé avec un tissu humide en utilisant un décapant en verre de ménage de bonne qualité.

Le verre devrait complètement être séché avec un tissu non pelucheux ou une serviette de papier. N'em-

Figure 3





Entretien

ployez pas les décapants abrasifs sur les liquides de verre de surface ou de jet directement sur aucune surface.

Nettoyage de la surface du foyer compact

Nettoyer les surfaces peintes du foyer compact avec de l'eau tiède seulement. Ne pas utiliser de nettoyants abrasifs.

Service

Outre le remplacement des ampoules et le nettoyage décrits ci-dessus, tout entretien du foyer compact doit être effectué par un représentant en service autorisé.



Garantie

Garantie limitée de un an

Produits visés par cette garantie limitée

Cette garantie limitée s'applique aux modèles suivants des foyers électriques Dimplex que vous venez d'acheter : **6901470100, DF12309, 6901470200, DF12310** ainsi qu'aux manteaux et garnitures Dimplex que vous venez d'acheter. Cette garantie limitée ne s'applique qu'aux achats effectués dans l'une des provinces du Canada, à l'exception du Yukon, du Nunavut ou des Territoires du Nord-Ouest, ou effectués dans l'un ou l'autre des 50 états des États-Unis (et du District de Columbia) à l'exception de Hawaii et de l'Alaska. Cette garantie limitée s'applique uniquement à l'acheteur original du produit et ne peut être transférée.

Produits non couverts par cette garantie limitée

Les ampoules ne sont pas couvertes par cette garantie limitée et sont la responsabilité exclusive du propriétaire/acheteur. Les produits achetés au Yukon, au Nunavut, dans les Territoires du Nord-Ouest, à Hawaii ou en Alaska ne sont

pas couverts par cette garantie limitée. Les produits achetés dans ces provinces, états ou territoires sont vendus TEL QUEL sans quelque garantie ou condition que ce soit (y compris, notamment, les garanties ou conditions implicites de qualité marchande ou de convenance à un usage particulier), et l'acheteur assume tous les risques quant à la qualité et au rendement des produits. De plus, en cas de défectuosité, l'acheteur devra assumer la totalité des frais de tout entretien ou de toute réparation nécessaire.

Couverture et durée de cette garantie limitée

Les produits couverts par cette garantie limitée ont été testés et inspectés avant leur expédition. Sous réserve des dispositions de la présente garantie, Dimplex garantit lesdits produits contre les vices de matériau et de fabrication pendant une période de 12 mois après la date de l'achat initial desdits produits.

La période de garantie limitée de 12 mois s'applique également à toute garantie implicite pouvant exister en vertu des lois applicables. Mais comme certaines juri-

dictions ne permettent pas que des limites soient appliquées à la durée d'une garantie implicite, il se peut que les limitations ci-dessus ne s'appliquent pas à l'acheteur.

Ce que cette garantie limitée ne couvre pas

Cette garantie limitée ne s'applique pas aux produits qui ont été réparés (sauf par Dimplex ou ses représentants de service autorisés) ou autrement modifiés. Elle ne couvre pas non plus les défauts résultant d'un mauvais usage, d'un usage abusif, d'un accident, de négligence, d'une mauvaise installation, d'une manipulation ou d'un entretien inadéquat, ou de l'utilisation avec une source de courant inadéquate.

Ce que vous devez faire pour vous prévaloir du service dans le cadre de cette garantie limitée

Les défauts doivent être signalés au Service technique de Dimplex en communiquant avec Dimplex au 1-888-DIMPLEX (1-888-346-7539), ou au 1367 Industrial Road, Cambridge, ON, Canada N3H 4W3. Au moment d'appeler Dimplex, ayez à portée de la main une preuve d'achat, ainsi que les numéros de catalogue, de modèle et de série du produit défectueux. Vous devez avoir une preuve d'achat du produit pour vous prévaloir du service dans le cadre de la garantie limitée.

Ce que Dimplex fera en cas de défaut

S'il s'avère qu'un produit ou qu'une pièce couvert par cette garantie limitée présente effectivement un vice de matériau ou de fabrication pendant la période de garantie limitée de 12 mois, vous aurez alors les droits suivants :

- Dimplex pourra, à sa seule discrétion, réparer ou remplacer sans frais la

pièce ou le produit défectueux. Si Dimplex est incapable de réparer ou de remplacer ladite pièce ou ledit produit, ou si la réparation ou le remplacement n'est pas commercialement possible, ou ne peut être fait rapidement, Dimplex pourra, au lieu d'effectuer la réparation ou le remplacement, décider de rembourser le prix d'achat de ladite pièce ou dudit produit.

- Le service sous garantie limitée sera dispensé uniquement par des dépositaires ou agents de service Dimplex autorisés à dispenser des services sous garantie limitée.
- L'acheteur est responsable du retrait et du transport aller-retour du produit ou de la pièce (et de tout produit ou pièce réparé ou remplacé) à la place d'affaires du dépositaire ou de l'agent de service autorisé.
- Cette garantie limitée ne donne pas droit à l'acheteur à des services sur place ou à domicile. Les services sur place ou à domicile peuvent être fournis à la demande expresse et aux frais de l'acheteur. Les tarifs courants de Dimplex seront facturés pour de tels services.
- Dimplex ne sera pas tenue responsable des dépenses engagées pour l'installation ou le retrait du produit ou de la pièce défectueux (ou de tout produit ou pièce de rechange) ni des frais de main-d'œuvre ou de transport. Par ailleurs, les services sous garantie limitée ne comprennent pas non plus lesdits frais et dépenses. De tels coûts seront assumés par l'acheteur.

Autres exclusions à la responsabilité de Dimplex et de ses dépositaires et agents de service :

DIMPLEX, SES GESTIONNAIRES, SES



Garantie

ADMINISTRATEURS OU SES AGENTS NE POURRONT EN AUCUN CAS ÊTRE TENUS RESPONSABLES ENVERS L'ACHETEUR OU TOUTE AUTRE TIERCE PARTIE, EN VERTU D'UN CONTRAT, D'UN ACTE DÉLICTEUX OU SUR TOUTE AUTRE BASE, DE COÛTS, DE PERTES OU DE DOMMAGES INDIRECTS, SPÉCIAUX, PUNITIFS, EXEMPLAIRES OU ACCESSOIRES DÉCOULANT DIRECTEMENT OU INDIRECTEMENT DE LA VENTE, DE L'ENTRETIEN, DE L'UTILISATION OU DE L'INCAPACITÉ D'UTILISATION DU PRODUIT, MÊME SI DIMPLEX, SES GESTIONNAIRES, SES ADMINISTRATEURS OU SES AGENTS ONT ÉTÉ INFORMÉS DE LA POSSIBILITÉ DE TELS COÛTS, PERTES OU DOMMAGES, OU SI LESDITS COÛTS, PERTES OU DOMMAGES SONT PRÉVISIBLES. DIMPLEX, SES GESTIONNAIRES, SES ADMINISTRATEURS OU SES AGENTS NE POURRONT EN AUCUN CAS ÊTRE TENUS RESPONSABLES DE COÛTS, DE PERTES OU DE DOMMAGES DIRECTS QUDÉPASSENT LE PRIX D'ACHAT DU PRODUIT.

CERTAINES JURIDICTIONS NE PERMETTENT PAS QUE DES EXCLUSIONS OU LIMITATIONS AUX DOMMAGES INDIRECTS OU ACCESSOIRES SOIENT APPLIQUÉES. IL SE POURRAIT DONC QUE LES EXCLUSIONS ET LIMITATIONS CI-DESSOUS NE S'APPLIQUENT PAS À L'ACHETEUR.

Comment les lois provinciales et d'état s'appliquent

Cette garantie limitée vous confère des droits juridiques précis, et il se peut que vous ayez d'autres droits qui varient d'une juridiction à l'autre. Les dispositions de la Convention des Nations unies sur les contrats de vente de biens ne s'applique pas à cette garantie limitée ou

à la vente de produits couverts par cette garantie limitée.



Service d'assistance technique

Vous trouverez du soutien technique et des instructions de dépannage, ainsi qu'une liste de pièces de rechange à

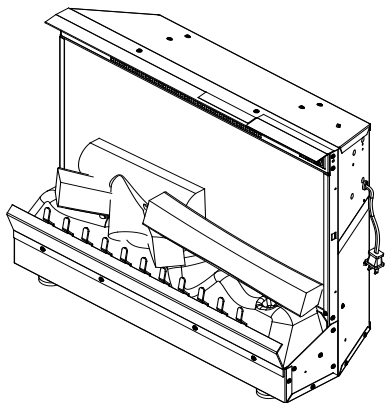
www.dimplex.com/customer_support.

 **Dimplex**[®]



Dimplex North America Limited
1367 Industrial Road
Cambridge ON
Canada N3H 4W3

© 2013 Dimplex North America Limited



Manual del propietario

Modelo

DFI2309

DFI23010








INFORMACIÓN DE SEGURIDAD IMPORTANTE: Lea este manual antes de intentar instalar o usar este calentador de aire. Para su seguridad, tome en cuenta todas las advertencias e instrucciones de seguridad de este manual para evitar lesiones corporales o daños materiales.

Para ver toda la línea de productos Dimplex, visite www.dimplex.com

7205650300R04



Índice

	Bienvenido y felicitaciones	3
	INSTRUCCIONES IMPORTANTES	4
	Instalación de la chimenea	7
	Operación	9
	Mantenimiento	11
	Garantía	13
	Servicio Técnico	16

Siempre llame a un técnico calificado o use los servicios de una agencia de servicio para reparar este calentador de aire.

! NOTA: Procedimientos y técnicas que se considera importante destacar.

! PRECAUCIÓN: En caso de no seguir los procedimientos y técnicas cuidadosamente, se dañará el equipo.

! ADVERTENCIA: Procedimientos y técnicas que, en caso de no seguirse cuidadosamente, expondrán al usuario a riesgo de incendio, lesión grave o muerte.

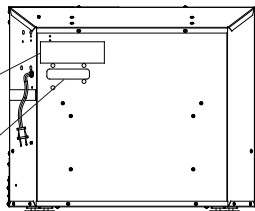


Bienvenido y felicitaciones

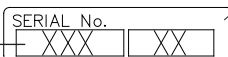
Gracias y felicitaciones por haber adquirido una chimenea eléctrica Dimplex. Por favor, utilice nuestra página en línea para registrar el número de modelo y de serie para referencia futura en:

www.dimplex.com/register

Número de modelo



Número de serie



Lea atentamente y guarde estas instrucciones.


⚠ PRECAUCIÓN: Antes de comenzar la instalación, asegúrese de leer las instrucciones y advertencias cuidadosamente. No seguir estas instrucciones podría provocar una descarga eléctrica, un incendio y la anulación de la garantía.



NO ES NECESARIO REGRESAR A LA TIENDA

¿Tiene preguntas sobre la operación o el montaje? ¿Necesita información sobre las piezas? ¿El producto está bajo la garantía del fabricante?

Comuníquese con nosotros:  www.dimplex.com/customer_support
Para solucionar problemas y recibir asistencia técnica

O  **sin cargo al 1-888-DIMPLEX (1-888-346-7539)**

De lunes a viernes, de 8:00 a.m. a 4:30 p.m. Hora estándar del este
A fin de proporcionarle un mejor servicio tenga a la mano el número de modelo y de serie del producto cuando llame, o regístrelos en línea. (Ver más arriba.)



INSTRUCCIONES IMPORTANTES

Cuando se usen aparatos eléctricos, deben respetarse una serie de precauciones básicas a fin de aminorar el riesgo de incendio, descarga eléctrica y lesiones personales.

- ① Lea todas las instrucciones antes de usar la chimenea.
- ② La chimenea se pone caliente al usarla. Para evitar quemaduras, no toque las superficies calientes con la piel al aire. El material situado alrededor de la salida de aire de la chimenea se calienta durante su funcionamiento. Mantenga los materiales combustibles, como el mobiliario, almohadas, ropa de cama, papeles, ropa y cortinas alejados al menos 3 pies (0,9 m) de la parte delantera del aparato y alejados de los laterales y de la parte trasera.
- ③ Hay que extremar la precaución cuando se use cualquier calentador de aire cerca de los niños o inválidos o bien sean ellos quienes lo manejen y siempre que se deje el aparato en funcionamiento y sin vigilancia.
- ④ Desconecte siempre la chimenea si no la va a usar durante mucho tiempo.
- ⑤ No opere ningún calentador de aire si no funciona correctamente. Desconecte la electricidad a partir del panel central y haga verificar la unidad por un electricista acreditado antes de volver a utilizarla.
- ⑥ No haga funcionar la chimenea eléctrica si el cable de alimentación o el enchufe están dañados o si el calentador no funciona bien o si se ha caído o dañado de cualquier manera. Comuníquese con el Servicio de atención al cliente de Dimplex al 1-888-346-7539 de inmediato.
- ⑦ No lo use a la intemperie.
- ⑧ El calentador de aire no se ha diseñado para uso en baños, zonas de lavado y recintos similares. No coloque el calentador de aire en aquellos sitios donde pueda caer en una bañera o en cualquier otro recipiente de agua.
- ⑨ No coloque el cable por debajo de las alfombras. No cubra el cable con estereras, alfombrillas o artículos similares. Sitúe el cable alejado de las zonas de paso y en donde no se tropiece.
- ⑩ Para desconectar el calentador de aire, apague los controles y, luego, desenchufe el aparato.
- ⑪ No introduzca ni deje que entren cuerpos extraños en los orificios de ventilación o escape ya que ello puede provocar una descarga eléctrica o un incendio, o bien deteriorar el calentador de aire.
- ⑫ Para evitar cualquier posible incendio, no bloquee las entradas ni la salida de aire bajo ningún concepto.



INSTRUCCIONES IMPORTANTES

- ⑬ Todos los calentadores eléctricos de aire tienen dentro piezas calientes o que provocan chispas o arcos eléctricos. No use su calentador en zonas en las que se empleen o almacenen gasolina.
- ⑭ No modifique el calentador de aire. Úselo tal como se describe en el presente manual. Cualquier otro uso que no haya sido recomendado por el fabricante puede causar un incendio, una descarga eléctrica o lesiones a las personas.
- ⑮ Este aparato puede disponer de un enchufe polarizado (una patilla es más ancha que la otra). El enchufe encaja sólo en una posición en una toma de corriente polarizada. Si el enchufe no encaja bien en la toma, invierta su posición. Si aun así no encaja, acuda a un electricista cualificado para que instale la toma de corriente adecuada. No cambie el enchufe bajo ningún concepto.
- ⑯ Siempre enchufe los calentadores de aire directamente a una toma corriente de pared/enchufe. No utilice nunca un cable de extensión ni una conexión eléctrica relocizable (toma de corriente/barra de alimentación).
- ⑰ No queme madera ni otros materiales en el calentador de aire.
- ⑱ No golpee el frente del cristal.
- ⑲ Acuda siempre a un electricista homologado en el caso de que le hagan falta nuevos circuitos o tomas.
- ⑳ Use siempre enchufes polarizados, bien puestos a tierra y dotados de fusibles.
- ㉑ No instale la chimenea directamente en una alfombra o una superficie similar ya que podría restringir la circulación de aire necesaria para la unidad.
- ㉒ Desconecte todas las fuentes de energía antes de realizar cualquier limpieza, mantenimiento o cambio de sitio del calentador de aire.
- ㉓ Cuando se transporten o almacenen el aparato y el cable, manténgalos en un sitio seco, libre de vibraciones excesivas, y almacenado de modo que se evite cualquier perjuicio.



PRECAUCIÓN
RIESGO DE DESCARGA ELÉCTRICA - NO ABRIR
NO CONTIENE PARTES QUE EL USUARIO
PUEDA REPARAR



GUARDE ESTAS INSTRUCCIONES



INSTRUCCIONES IMPORTANTES

Este aparato ha sido ensayado y encontrado conforme con las exigencias de los aparatos digitales de Clase B, ajustándose al apartado 15 de las Normas FCC. Estas exigencias se han establecido para proporcionar una protección razonable contra las interferencias dañinas en una instalación residencial. Este aparato emite y emplea energía de radiofrecuencia y si no se instala y usa de acuerdo con estas instrucciones, puede provocar interferencias nocivas a la recepción de la radio y de la televisión, que se pueden saber si se enciende o apaga el aparato; se insta al usuario a corregir dichas interferencias adoptando una o más de las medidas siguientes:

- Reorientar o resituar la antena receptora.
- Aumentar la separación entre el aparato y el receptor.
- Conectar el aparato a una toma de corriente o circuito diferente de aquel al que está conectado el receptor.
- Si necesita ayuda, consulte al distribuidor o a un técnico de radio o televisión.

El funcionamiento está sujeto a las dos condiciones siguientes: (1) el aparato puede que no cause interferencias y (2) el aparato puede aceptar cualquier interferencia, incluyendo la que pudiera cuasar el funcionamiento del aparato.

⚠ ADVERTENCIA: El control remoto contiene baterías pequeñas mantenga lejos del alcance de los niños. Si se ingiere, busque atención médica de inmediato.

⚠ ADVERTENCIA: No instale la batería al revés, no la cargue, no la incinere ni la mezcle con baterías usadas ni con otros tipos de baterías: esto puede causar que explote o que haya filtraciones, provocando lesiones.

! NOTA: Los cambios o modificaciones que no estén expresamente aprobados por la parte responsable del cumplimiento podrían anular la autorización del usuario para utilizar el equipo.



Instalación de la chimenea

⚠ ADVERTENCIA: Asegúrese de que al montar el cable de alimentación no queda atrapado ni apoyado contra aristas vivas y cerciórese de que el cable está bien guardado o sujeto para evitar tropiezos o enganchones y reducir así el riesgo de incendio, descarga eléctrica o lesiones a las personas.

⚠ ADVERTENCIA: El cableado eléctrico de la toma debe cumplir con las ordenanzas de construcción municipales y con la demás reglamentación aplicable a fin de reducir el riesgo de incendio, descarga eléctrica y lesiones.

⚠ ADVERTENCIA: No intente cablear usted mismo los nuevos circuitos o tomas. Para reducir el riesgo de incendio, descarga eléctrica o lesiones, acuda siempre a un electricista homologado.

⚠ ADVERTENCIA: Para reducir el riesgo de incendio, no almacene ni use gasolina u otros vapores o líquidos inflamables en las proximidades del calentador.

⚠ PRECAUCIÓN: Alta temperatura: riesgo de incendio; mantenga cordones eléctricos, cortinas, mobiliario y demás materiales combustibles a por al menos 0.9 m (3 pies) del frente del calentador y lejos de las porciones laterales y de la parte trasera.

! NOTA: Hace falta un circuito de

120V y 15A. Es preferible disponer de un circuito exclusivo, pero no resulta esencial en todos los casos. Hará falta un circuito exclusivo si, después de la instalación, el disyuntor salta o se funden los fusibles con cierta frecuencia al poner en marcha el calentador. El enchufar otros aparatos en el mismo circuito puede superar la corriente nominal del disyuntor.

⚠ PRECAUCIÓN: El hueco para que circule el aire por debajo del alojamiento de la chimenea se obtiene con las dos patas de goma.

No instale el alojamiento del calentador de aire directamente en alfombras o superficies análogas que puedan restringir la circulación de aire.

! NOTA: Inserción para chimenea eléctrica debe ser instalada en una abertura con una dimensión MÍNIMA de 24 pul. (61 cm.) de ancho, 21.5 pul. (54.6 cm.) de alto y 12 pul. (30.5 cm.) de profundidad. El calentador de aire no requiere ninguna ventilación adicional.

Calentador de aire ya existente

1. Selle todas las corrientes de aire y huecos con un material aislante no fibroso para evitar que caiga cualquier resto del tubo que hace de chimenea en el calentador de aire. No lo instale en un lugar que sea propenso a la humedad.
2. Cubra la parte superior del tubo



Instalación de la chimenea

de chimenea para evitar que penetre la lluvia.

3. Prevea la toma de corriente eléctrica.
4. Instale una conexión en el interior de la chimenea ya existente. Si no se instala una conexión en el interior de la chimenea, el cable eléctrico puede también pasar enfrente de la entrada de la chimenea estándar hasta una conexión que se encuentre cerca.
5. Asegúrese de que la corriente esté apagada (vea funcionamiento en la página 8). Conecte la chimenea adaptable con la conexión y deslice la unidad en el interior de la chimenea estándar ya existente.
6. Empuje la chimenea adaptable en la caja de fuego y céntrala en el interior del orificio. Ajuste los cuatro pies en la parte inferior de la chimenea adaptable dándole

vuelta en el sentido de las agujas del reloj para levantar y en el sentido contrario para bajar para que el nivel coincida con la chimenea estándar ya existente.

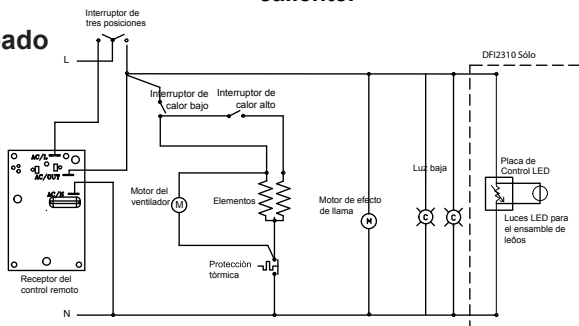
7. Instale el conjunto para adornar (si incluyó) en la chimenea adaptable y empuje el adorno y/o inserte de nuevo hasta que el adorno esté a ras de la pared acabada.



ADVERTENCIA: Inserción para chimenea eléctrica puede usarse con rejillas ya existentes.

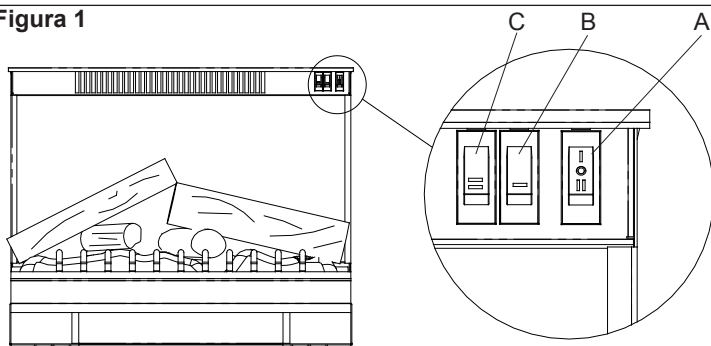
Debido al calor producido por el calefactor, las rejillas existentes deben proveer suficiente salida de aire al frente de la unidad. **No utilice puertas de chimeneas estándares que cierren o sellen la salida de aire de la inserción para chimenea eléctrica. Si la inserción para chimenea eléctrica es instalada atrás de la puerta, la puerta debe estar abierta para permitir salida de aire caliente.**

Cableado



Operación

Figura 1



⚠ ADVERTENCIA: Debe instalar la cámara de combustión eléctrica de manera adecuada antes de utilizarla.

Control manual

A - Interruptor de tres posiciones

Hay dos posiciones indicando "ON", marcadas con "I" y "II". El position "I" indica la operación es manual. En este position, el control remoto que ce encuentra a dentro el equipo, esta puentado.

El position "II" indica que uno puede utilizar el control remoto. Cuando esta en este position: "II", uno pulse la tecla de encendido (ON) para encender la chimenea; y (OFF) para apagarla chimenea.

B - Interruptor de calor bajo

El interruptor de calor bajo (Encendido/Apagado) provee electricidad al ventilador que da calor y al elemento del calentador. Cuando el interruptor está en la posición ENCENDIDO, el

calentador funciona en BAJO.

C - Interruptor de calor alto

El interruptor de calor alto (Encendido/Apagado) provee electricidad al ventilador que da calor y al elemento del calentador. El interruptor de calor BAJO también debe estar en la posición ENCENDIDO para poder seleccionar y hacer funcionar el calor ALTO.

! NOTA: El elemento calefactor del calentador de aire puede emitir un ligero olor, no nocivo, cuando se use por primera vez. Este olor es normal y está causado por el calentamiento inicial de las piezas del calefactor interno y no se volverá a reproducir.

Reajuste del mando de corte de la temperatura

Un dispositivo de seguridad protege el calentador para evitar su recalentamiento. Si el calentador se recalienta, un interruptor automático apaga el

👉 Operación

calentador. Para volver a encender el calentador se coloca el interruptor (Encendido/Apagado) en la posición APAGADO (“O”) y se espera cinco (5) minutos. Después de cinco minutos se enciende la unidad otra vez.

⚠️ PRECAUCIÓN: Si necesita volver a encender el calentador repetidas veces, desenchufe la unidad y llame a su distribuidor local.

Control remoto (Figura 2)

La chimenea viene con su propio “ON/OFF” control remoto.

! NOTA: Asegúrese el control remoto estar puesto en el position 3 (“II” position).

Para ser funcionar la chimenea, pulse la tecla de encendido (ON) para encender la chimenea; para apagarla chimenea, presione la tecla (OFF).

! NOTA: Antes de intentar la operación con el control remoto, extraiga la banda aislante plástica de entre la caja y la cubierta para las baterías del control remoto.

Inicializar / Reprogramar Control Remoto

Si el control remoto ya no hace funcionar el calentador de aire, siga los pasos siguientes para volver a inicializar el control remoto y el receptor localizado en el calentador:

1. Coloque el interruptor de tres posiciones (Figura 1A) en la posición de “Apagado” (“O”).

2. Espere al menos cinco segundos, y coloque el interruptor de tres posiciones en la posición de “Control Remoto” (“II”).
3. Menos de 10 segundos tras haber hecho este último cambio, pulse el botón ON del control remoto (Figura 3).

Esto sincronizará el control remoto con el receptor del calentador de aire.

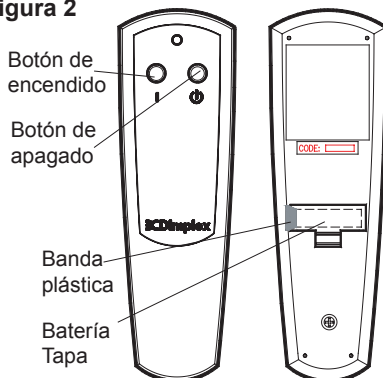
! NOTA: Sólo dispone de 10 segundos para realizar esta última etapa. De lo contrario, deberá volver a efectuar todos los pasos de nuevo.

Cambio de la pila

Para cambiar la pila:

1. Abra la tapa deslizante del mando a distancia manual.
2. Ponga una (1) pila de 12 V (A23) en el compartimento de la pila.
3. Vuelva a colocar la tapa de la

Figura 2



Operación

batería.



Es necesario reciclar la batería o desecharla correctamente. Consulte con las autoridades locales o con un minorista para obtener información sobre el reciclaje en su área.



Mantenimiento

⚠ ADVERTENCIA: Para reducir el riesgo de incendio, descarga eléctrica o lesiones a personas, desconecte el suministro eléctrico antes de intentar cualquier tipo de mantenimiento o limpieza.

! NOTA: El calentador de aire no debe ser operado si hubiera acumulación de polvo o de suciedad sobre la unidad o dentro de la misma, ya que ello puede originar una acumulación de temperatura y dañar la unidad. Por ello, el calentador de aire debe ser verificado regularmente, teniendo en cuenta las condiciones y por lo menos, una vez por año.

Cambio de las bombillas

Se necesita reponer los focos cuando se vea una sección oscura en la flama. Hay dos focos debajo del conjunto de troncos que generan las flamas y el ambar.

Características de las bombillas

Se requieren dos focos claros tipo

candelero con una rosca E-12 (pequeña) de 60 vatios. Ejemplo GE 60BC o Philips 60CTC. **No supere los 60 W por bombilla.**

Herramientas requeridas: Desarmador de cabeza plana.

Reemplazo:

⚠ PRECAUCIÓN: Deje por lo menos 10 minutos los focos y el calefactor para enfriarse antes de efectuar cualquier mantenimiento o limpieza.

1. Con un desarmador de cabeza plana quite los tornillos externos del conjunto de troncos (Figura 3).
2. Quite el conjunto de los troncos levantándolo derecho hacia arriba.

! NOTA: El juego de leños está muy encajado en la chimenea; por ello, puede que haya que hacer algo de fuerza para quitarlo.

3. Desconecte el mazo de cables



Mantenimiento

con fotodiodos del juego de troncos (DFI2310 solamente).

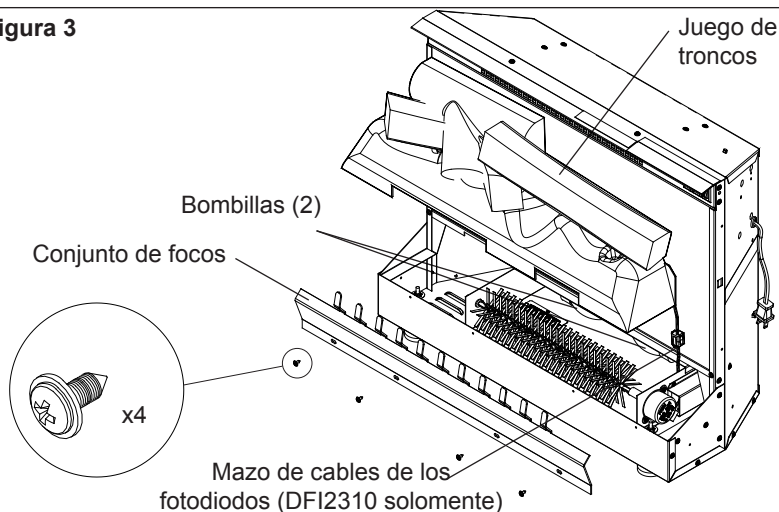
- Desenrosque las bombillas en sentido contrario al de las agujas del reloj.
- Inserte los nuevos bombillas.
- Vuelva a conectar el mazo de cables con fotodiodos del juego de troncos al aparato (DFI2310 solamente).
- Vuelva a poner los troncos en su lugar.
- Deslice en su lugar la base de los focos en la inserción y vuelva a poner los dos tornillos externos en los troncos.

Limpeza del cristal

El cristal se limpia en la fábrica durante la operación de asamblea. Durante el envío, la instalación, la dirección, el etc., la superficie de cristal puede recoger las partículas de polvo, éstas puede ser quitada pulimentando ligeramente con un paño seco limpio. Para quitar huellas digitales u otras marcas, el cristal se puede limpiar con un paño húmedo usando un limpiador del cristal de la casa de la buena calidad.

El cristal se debe secar totalmente con un trapo sin pelusa o una toalla de papel. No utilice los limpiadores abrasivos en los líquidos de cristal de la superficie o del aerosol directamente sobre ninguna superficie.

Figura 3





Mantenimiento

Limpeza de la superficie del calentador de aire compacto

Para limpiar las superficies pintadas del calentador de aire compacto, use sólo agua caliente. No use limpiadores abrasivos.

Servicio

Salvo por el cambio de bombillas y la limpieza que se describen arriba, cualquier otro servicio debería ser realizado por un representante de servicio autorizado.



Garantía

Garantía limitada de un año

Productos para los cuales esta garantía limitada aplica

Esta garantía limitada se aplica para los siguientes modelos de sus recientemente adquiridos aparatos eléctricos Dimplex:

6901470100, DF12309, 6901470200, DF12310 y para los recientemente adquiridos contornos (mantos) y adornos para chimeneas Dimplex. Esta garantía limitada aplica solamente para las compras hechas en cualquier provincia de Canadá *excepto para* el Territorio de Yukon, Nunavut, o los Territorios del Noroeste o en cualquier de los 50 Estados de los EE.UU. (y el Distrito de Columbia) *excepto para* Hawai y Alaska. Esta garantía limitada se aplica solamente al comprador original del producto y no es transferible.

Productos excluidos de esta garantía limitada

Las bombillas no son cubiertas por esta garantía limitada y son la sola responsabilidad del propietario/ comprador. Los productos comprados en el Territorio de Yukon, Nunavut, Territorios del Noroeste, Hawai, o Alaska no son cubiertos por esta garantía limitada. Los productos comprados en estos Estados, provincias, o territorios son vendidos TAL CUAL sin garantía o condición ninguna (incluyendo,

sin ninguna limitación, cualquier garantía implicada o condiciones de mercadeo o disposición para un propósito particular) y el riesgo completo referente a la calidad y rendimiento de los productos es asumido por el comprador, y en el caso de un defecto el comprador asume el costo completo de todos servicios necesarios o reparaciones.

Qué es lo que esta garantía limitada cubre y por cuanto tiempo

Los productos cubiertos por esta garantía limitada han sido probados e inspeccionados antes del envío y, sujetos a los requerimientos de esta garantía, Dimplex garantiza que dichos productos están libres de defectos de material y mano de obra por un periodo de 12 meses a partir de la fecha de la primera compra de tal producto.

El periodo de 12 meses de garantía limitada también se aplica a cualquier garantía implicada que pueda existir bajo la ley aplicable. Algunas jurisdicciones no permiten limitaciones a la duración del tiempo de una garantía implicada, así que la limitación arriba mencionada puede no aplicarse al comprador.

Qué es lo que esta garantía limitada no cubre

Esta garantía limitada no se aplica a pro-



Garantía

ductos que han sido reparados (excepto por Dimplex o por sus representantes de servicio autorizados) o alterados de cualquier forma. Adicionalmente esta garantía tampoco se aplica para defectos que resulten de mal uso, abuso, accidente, negligencia, instalación incorrecta, mantenimiento o manejo inadecuado, o la utilización con una fuente de energía incorrecta.

Qué es lo que usted debe hacer para obtener el servicio bajo esta garantía limitada

Los defectos deben ser dirigidos a la atención del Servicio Técnico de Dimplex contactando a Dimplex al 1-888-DIMPLEX (1-888-346-7539), o 1367 Industrial Road, Cambridge, Ontario, Canada N3H 4W3. Por favor tenga la prueba de la compra y los números de catálogo, de modelo y de producto cuando llame. El servicio de garantía limitada requiere una prueba de la compra del producto.

Qué es lo que Dimplex hará en el caso de un defecto

En el caso en que un producto o parte cubierto por esta garantía limitada sea probado que es defectuoso en el material o la mano de obra durante el periodo de 12 meses de la garantía limitada usted tiene los siguientes derechos:

- Dimplex a su sola discreción ya sea reparar o reemplazará dicho producto o parte sin cargo. Si Dimplex es incapaz de reparar o reemplazar dicho producto o parte, o si la reparación o reemplazo no es comercialmente aplicable o no puede ser hecha a tiempo, Dimplex puede, en lugar de reparar o reemplazar, escoger de rembolsar el precio de compra para dicho producto o parte.
- El servicio de garantía limitada será

llevado a cabo solamente por los distribuidores o agentes de servicio autorizados por Dimplex para proporcionar dicho servicio.

- El comprador es responsable de quitar y transportar tal producto o parte (y cualquier producto o parte reemplazado o reparado) de y hacia el lugar donde se da el servicio de distribuidor o agente autorizado.
- Esta garantía limitada no da derecho al comprador para los servicios en el lugar o a domicilio. Los servicios en el lugar o a domicilio pueden ser realizados bajo solicitud específica del comprador y con cargo a las tarifas fijadas por Dimplex para tales servicios.
- Dimplex no será responsable por, y los servicios de la garantía limitada no incluirán, ningún gasto incurrido en la instalación o remoción del producto o parte (o cualquier reemplazo de parte o producto) o cualquier costo de mano de obra o transporte. Tales costos serán responsabilidad del comprador.

De qué los distribuidores y agentes de servicio Dimplex no son tampoco responsables:

EN NINGÚN CASO DIMPLEX, O SUS DIRECTORES, FUNCIONARIOS, O AGENTES, SERÁ RESPONSABLE CON EL COMPRADOR O CUALQUIERA TERCERA PARTE, YA SEA EN CONTRATO O NO, SIN RAZÓN, O BAJO CUALQUIER OTRA BASE, POR CUALQUIER PERDIDA, EXCEPCIONAL, PUNITIVA, EJEMPLAR, CONSECUENCIAL, O INCIDENTAL, COSTO, O DAÑO SURGIDO DE O EN CONEXIÓN CON LA VENTA, MANTENIMIENTO, USO, O IMPOSIBILIDAD DE USAR EL PRODUCTO, AUNQUE DIMPLEX O SUS DIRECTORES, FUNCIONARIOS, O AGENTES HAYAN



Garantía

SIDO AVISADOS DE LA POSIBILIDAD DE TALES PERDIDAS, COSTOS O DAÑOS, O SI TALES PERDIDAS, COSTOS, O DAÑOS SON PREVISIBLES. EN NINGÚN CASO DIMPLEX, O SUS FUNCIONARIOS, DIRECTORES, O AGENTES SERÁN RESPONSABLES POR NINGUNA PERDIDA DIRECTA, COSTOS, O DAÑOS QUE EXCEDAN EL PRECIO DE COMPRA DEL PRODUCTO.

ALGUNAS JURISDICCIONES NO PERMITEN LA EXCLUSIÓN O LIMITACIÓN DE DAÑOS INCIDENTALES O CONSECUENCIALES, ASÍ QUE LA LIMITACIÓN O EXCLUSIÓN ARRIBA MENCIONADA PUEDE NO APLICARSE AL COMPRADOR.

Cómo se aplica la ley Provincial o Estatal

Esta garantía limitada le da derechos legales específicos, y usted podría tener también otros derechos los cuales pueden variar de jurisdicción a jurisdicción. Las disposiciones de las Naciones Unidas en Contratos para la Venta de Bienes no se aplicarán para esta garantía limitada o la venta de productos cubiertos por esta garantía limitada.



Servicio Técnico

Para solucionar problemas y obtener ayuda técnica así como una lista de piezas de remplazo acuda a

www.dimplex.com/customer_support.

 **Dimplex**[®]



Dimplex North America Limited

1367 Industrial Road
Cambridge ON
Canada N3H 4W3

© 2013 Dimplex North America Limited