

⚠ IMPORTANT INSTRUCTIONS

When using electrical appliances, basic precautions should always be followed to reduce the risk of fire, electric shock and injury to person, including the following:

1. Read all instructions before using this heater.
2. Wiring procedures and connections should be in accordance with the National Electric Code (NEC & CEC) and local codes.
3. Extreme caution is necessary when any heater is used by or near children or invalids and whenever the unit is left operating and unattended.
4. Do not operate any heater after it malfunctions. Disconnect power at service panel and have heater inspected by a certified electrician before reusing.
5. To disconnect heater, turn off power to heater circuit at main disconnect panel.
6. Use this heater only as described in this manual. Any other use not recommended by the manufacturer may cause fire, electric shock, or injury to persons.
7. A heater has hot and arcing or sparking parts inside. Do not use it in areas where gasoline, paint or flammable liquids are used or stored.
8. This heater is hot when in use. To avoid burns, do not let bare skin touch hot surfaces. Keep combustible materials such as: furniture, pillows, bedding, papers, clothes and curtains away from heater.
9. To prevent a possible fire, do not block air intakes or exhaust in any manner. Do not use on soft surfaces like a bed where openings may become blocked.
10. Do not insert or allow foreign objects to enter any ventilation or exhaust opening as this may cause an electric shock or fire, or damage the heater.

! NOTE: This equipment has been tested and found to comply with the limits for a Class B digital device, pursuant to Part 15 of the FCC Rules. These limits are designed to provide reasonable protection against harmful interference in a residential installation. This equipment generates, uses and can radiate radio frequency energy and, if not installed and used in accordance with the instructions, may cause harmful interference to radio communications. However, there is no guarantee that interference will not occur in a particular installation. If this equipment does cause harmful interference to radio or television reception, which can be determined by turning the equipment off and on, the user is encouraged to try to correct the interference by one of the following measures:

- Reorient or relocate the receiving antenna.
- Increase the separation between the equipment and receiver.
- Connect the equipment on a circuit different from that to which the receiver is connected.
- Consult the dealer or an experienced radio/TV technician for help.

This device complies with Part 15 of the FCC Rules. Operation is subject to the following two conditions: (1) This device may not cause harmful interference, and (2) this device must accept any interference received, including interference that may cause undesired operation.

⚠ FCC CAUTION: Any changes or modifications not expressly approved by the party responsible for compliance could void the user's authority to operate this equipment.

This device complies with Industry Canada licence-exempt RSS standard(s). Operation is subject to the following two conditions: (1) this device may not cause interference, and (2) this device must accept any interference, including interference that may cause undesired operation of the device.

SAVE THESE INSTRUCTIONS

✂ Installation Instructions

⚠ CAUTION: Place furniture/objects no closer than 3ft (91cm) in front of the heater. Ensure that the inlet and bottom of the heater is unobstructed to allow for sufficient air flow through the unit.

1. Unpack the heater from the carton.
2. Determine the correct mounting height for the heater. The bottom of the heater should be mounted a minimum of 8" (20.3 cm) from the floor. The recess box is designed so that it can be mounted between two studs within the wall.
3. The recess box requires an opening in the wall 13.5" (34.5 cm) high by 8 3/8" (21.5 cm) wide (see Figure 1). Depth of opening must be 3 3/4" (9.5 cm) minimum, measured from finished wall surface.

! NOTE: The sides of the recess box are marked with guidelines to allow for 1/2" and 5/8" drywall thickness. When installing the recess box before installing drywall, when installing the recess box before installing drywall, use the depth guidelines to mount the box at the appropriate depth for drywall thickness, and proper grille installation.

4. Remove appropriate electrical knockout and secure supply wire using an approved strain relief connector, leaving 6" (15.2 cm) of wire leads in the recess box. (Figure 1)

! NOTE: It is only necessary to remove the knockout that will feed the power supply wiring, keeping in mind the heater mounting location and supply wire location on the wall.

5. The recess box can be secured using the front flanges at the top and bottom or from the inside into surrounding studs. Ensure that the recess box is oriented so that the knockouts are located at the bottom and the flanges are

Figure 1

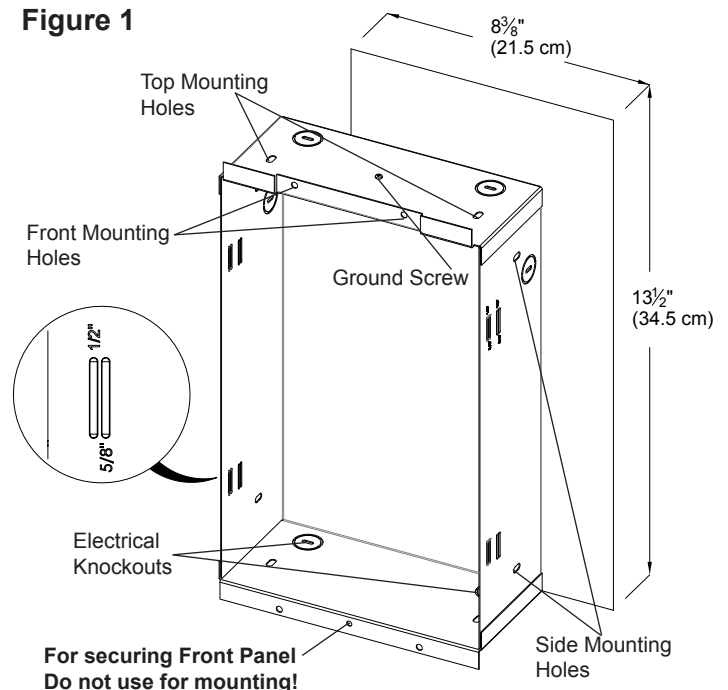
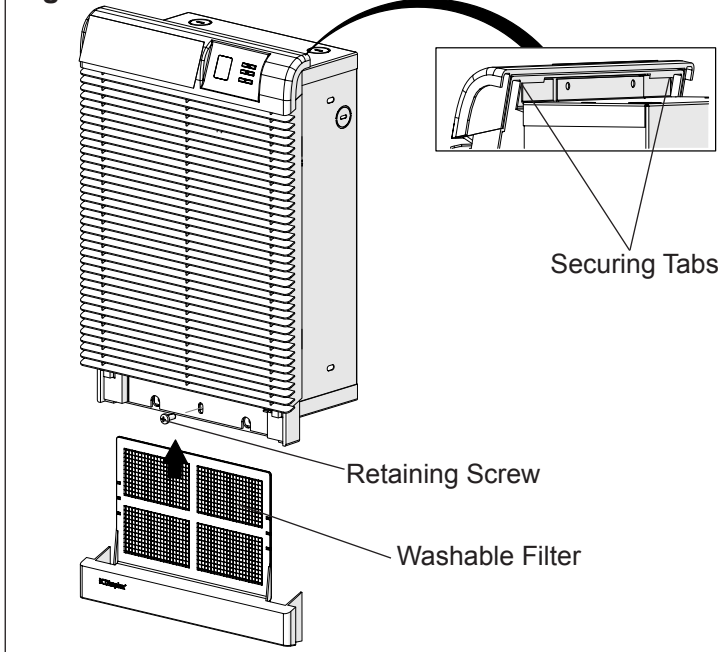


Figure 2



flush with the finished wall.

6. Proceed to the wiring instructions.

Supply Wiring and Heater Installation

⚠ WARNING: Wiring procedures and connections should be in accordance with the National Electric Code (NEC & CEC) and local codes.

1. Insert approximately 6" (15.2 cm) of supply wire into recess box through the desired knockout. Wire should be rated for a minimum of 75°C (167°F)
2. Connect power supply to terminals provided marked L1 and L2. Ground wire should be secured to green wire provided inside of the heater assembly.

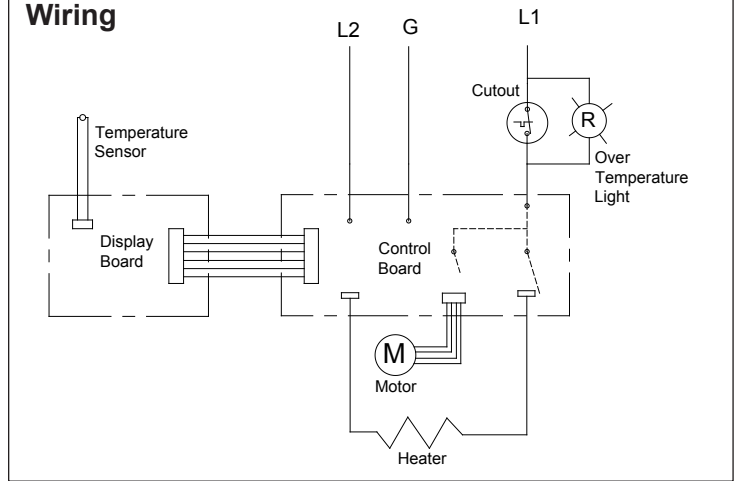
⚠ WARNING: All units are factory prewired for operation with the built-in thermostat. THIS HEATER IS NOT TO BE USED WITH A REGULAR WALL THERMOSTAT.

3. Do a final and complete check of all wiring.
4. Attach heater by hanging heater on upper tabs then securing at the bottom using the supplied screw.
5. Insert the air filter through the bottom slot, until it clicks into place.

⚠ WARNING: TO PREVENT THE RISK OF FIRE OR INJURY, DO NOT OPERATE THE HEATER UNLESS IT IS FULLY ASSEMBLED.

! NOTE: Prior to energizing remove all construction dirt (plaster, sawdust, etc.) from interior and exterior of heater.

Wiring



Operation

⚠ WARNING: This heater is factory prewired for operation with the built-in thermostat. THIS HEATER IS NOT TO BE USED WITH A REGULAR WALL THERMOSTAT.

⚠ CAUTION: This heater must be properly installed before it is used.

The PCH is a Precision Comfort Heater, which maintains a constant room temperature through the continuous addition of heat by the blowing of air into the room based on the setting of the thermostat. The PCH operates such that once the room reaches the set point, the fan and heater **will continuously run** at a low level, to maintain the desired room temperature. If the temperature in the room rises, i.e. sun coming through a window, the fan will slow further and the temperature of the heater will reduce so that the temperature of the room will continue to be the same.

! NOTE: The element retains heat after shutdown, there is a built in cool down period of 2 ½ minutes before the fan shuts off completely.

⚠ WARNING: Should the Over Temp light come on, disconnect power to the heater and call a licensed electrician. DO NOT USE HEATER UNTIL THE CAUSE OF THE PROBLEM IS DETERMINED AND FIXED.

Manual Controls

(See Figure 3 for display reference)

When power is first supplied to the PCH the Setpoint Temperature will flash in the temperature display area. At any time either the **+** or **-** button can be pressed to have the temperature setpoint displayed again.

A. Setting/Temperature Display **88.5**

The PCH is designed to control the temperature of a room anywhere from 32-86°F (0-30°C). By pressing the **+** or **-** will increase or decrease the desired temperature for the room to be heated by 0.5° (in either °C or °F).

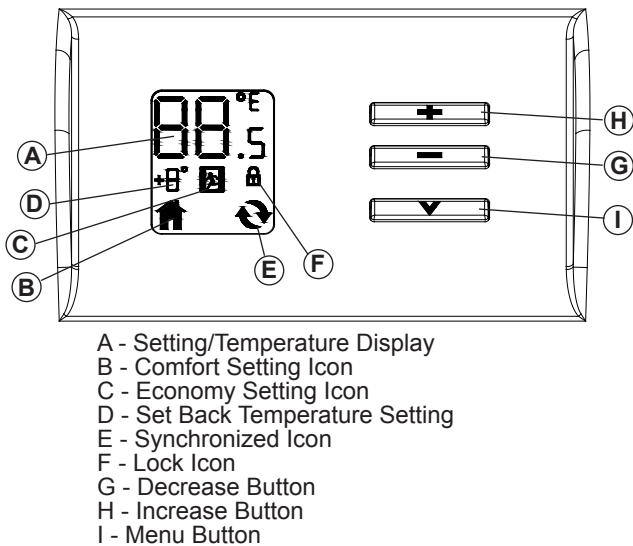
After 5 seconds the Setpoint Temperature will switch to display the ambient temperature of the room.

! NOTE: Pressing the **+** and **-** at the same time will toggle between °C and °F.

B. Comfort Setting

The Comfort Setting icon will be displayed when the heater is in normal operation based on the Setpoint Temperature for the room.

Figure 3



! NOTE: Either the or icon will always be visible, dependent on the setting being used.

C. Economy Setting

The Economy Setting can be used to change the Setpoint Temperature for a user determined period of time. By pressing the **V** the Economy Setting will be enabled - signified by the icon flashing. After the Set Back Temperature has been set, the icon will become solid after three seconds and the Set Back Temperature will be enabled.

To return back to the Comfort Setting press the **V** button. The icon will disappear and the icon will appear.

D. Set Back Temperature Setting

The Set Back Temperature Setting is used during periods when the Economy setting feature is active. This temperature adjustment can be set by pressing the **V** followed by the **+** or **-**.

E. Synchronized Icon

The PCH features CONNEX™, a wireless technology that works with Dimplex single and multi-zone CONNEX™ controllers to provide simple whole home connectivity and comfort. CONNEX™ controllers are available to control one or multiple CONNEX™ controlled heaters within a 50 ft. (15 m) radius. In order for the controller to have this function the PCH and the controller will need to be synchronized. To do this:

1. On the PCH heater press and hold the **V** button for 3 seconds, both the and icons will begin to flash.
2. Press the **-**, **+** and then **V**, on the PCH heater.
3. Within 10 seconds press any button once on the CONNEX™ Controller.

! NOTE: There is a 3 second delay between pressing the last button on the controller and the PCH heater.

! NOTE: To desynchronize a PCH heater from the synchronized CONNEX™ Controller; on either the PCH heater or the controller:

1. Press and hold the **V** for 3 seconds.
2. Press the **V**, **+** and then **-**.

Nothing will need to be done to the other component.

Dimplex single and multi-zone CONNEX™ controllers are sold separately and are available for purchase from your authorized Dimplex dealer.

To find your local Dimplex dealer, visit www.dimplex.com.

F. Lock Icon

The PCH has a Lock feature to prevent settings from accidentally being changed.

1. Press and hold the **V** for 3 seconds. Both the and icons will begin to flash.
2. **To Enable:** Within 5 seconds press **+**, then **-**, then **+**, then **-**. The icon will appear
To Disable: Within 5 seconds press **-**, then **+**, then **-**, then **+**. The icon will disappear.

! NOTE: The PCH can be locked in either the Comfort or Economy Setting. Ensure that the desired icons are present when locking is complete.

Boost Function

The PCH is also equipped with a “Boost Function” which allows the user to run the unit at full heat, for a predetermined amount of time, to quickly heat up a cold room/space. The Boost can be set for a maximum of 20 minutes, in 5 minute increments.

To enable Boost:

1. Press and hold **+** for 5 seconds. The area where the temperature normally displays will begin to toggle between the display of “HI” and “20”.

! NOTE: The “20” indicates the time (in minutes) remaining in Boost function. The timer is updated as the time counts down 19, 18, 17, etc.

2. The length of time that Boost is enabled for can be adjusted by pressing the **+** or **-** buttons. Every time the **+** or **-** button is pressed the timer will be adjusted by 5 minutes and will cycle back to 20 minutes.
3. When the timer times out the heater will return to the programmed settings.

! NOTE: At any time you can hold down the **-** button for 5 seconds and exit the Boost function.

Maintenance

⚠ WARNING: Always disconnect power at the circuit breaker to the unit prior to performing any maintenance or service operation.

⚠ CAUTION: Allow adequate time for the element and body casing to cool before attempting to work on the heater.

It is suggested that the heater be inspected regularly, for cleanliness of the air filter and fan exhaust grille, to ensure optimal performance is maintained. Both the filter and grille can be cleaned by:

- Vacuuming off all dust and dirt or,
- Washing the filter in warm, soapy water and allowing to dry thoroughly before reinstalling.

Once cleaning is complete replace the grille and filter, and restore power.

! NOTE: NEVER operate the heater without the filter and front grille in place.

At least at yearly intervals the wire connection condition should be inspected to ensure full electrical continuity and optimal performance is maintained.

⚠ WARNING: The user can perform cleaning ONLY. All other servicing should be performed by qualified service personnel.

Warranty

The Manufacturer warrants the PCH and components of the enclosed product against any defect in material or workmanship for a period of two years from the date of purchase, with the exception of the elements which are warranted to be free from defect in material and workmanship for five years. In full satisfaction of any claims under this Warranty the Manufacturer will repair or replace without charge, in its factory or in the field as it alone may decide, any parts which in its opinion are defective.

The Manufacturer shall not be responsible for any transportation or shipping costs in relation to such repair or replacement except as specifically assumed by it. Misuse of this product or repairs by persons other than the Manufacturer's authorized personnel without the Manufacturer's written approval, will void this Warranty.

This Warranty is in lieu of all other warranties or conditions whether expressed or implied including but not limited to those of merchantability or fitness for purpose and shall constitute the sole remedy of the Purchaser and the sole liability of the Manufacturer in respect of the sale of the product, whether in the nature of breach or breach of fundamental term, or of negligence or otherwise.

The Manufacturer shall not be liable for any special, indirect or consequential damages or for any damages resulting from removal or replacement of a heater subject to warranty claim without the Manufacturer's authorization.

This Warranty is transferable by the original consumer purchaser of the product. Any claims under this Warranty must be submitted in writing to the Service Manager, Dimplex North America Ltd., 1367 Industrial Rd., Cambridge, Ontario N3H 4W3, Canada.

Replacement Parts

Filter	0441050100RP
Blower Blade	5300270100RP
Blower Motor	2000410100RP
Power Board	3000980100RP
Display Board	3001040100RP
2000W Element	2203550200RP
Front Grille	1024710100RP

Optional Accessories

Surface Mount BoxPCHSBW

CONNEX™ Controllers 

Single Controller DPCRWS

Multi-zone Controller CX-MPC



1367 Industrial Road • Cambridge ON Canada N3H 4W3

1-888-346-7539 • www.dimplex.com

In keeping with our policy of continuous product improvement, we reserve the right to make changes without notice.

© 2016 Dimplex North America Limited

