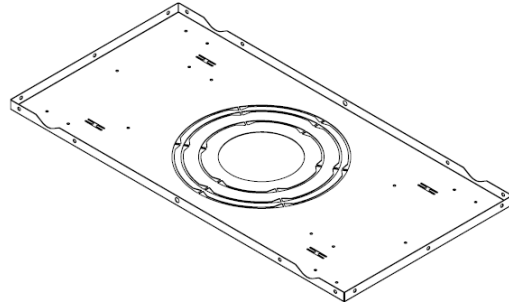
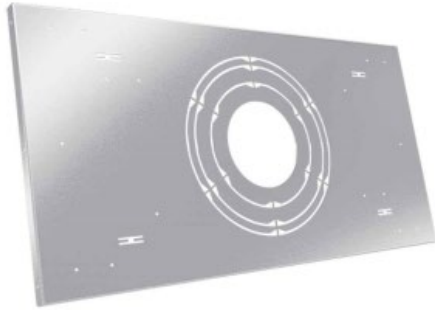




Project:  Date:

Prepared By:

Comments:



**MOUNTING INSTRUCTIONS**

**MOUNTING LARGER LIGHT FIXTURES**

The mounting plate can be adjusted to accommodate larger fixtures, ranging from 4" through 9.5". For 4" fixtures, no rings need to be removed. For 6" fixtures, remove the smaller ring in the center. For 8" fixtures, remove both inner rings. For 9.5" fixtures remove all three inner rings. To mount larger fixtures:

1. Punch out appropriate knockout holes from the center of the mounting plate using pliers (Fig.1).
2. Mount fixture (not included) onto mounting plate and secure accordingly.

NOTE: If the light fixture includes a remote junction box please place into provided slots and secure with a screw.

**GRID INSTALLATION**

NOTE: Before installing mounting plates into the ceiling, locate the desired positions for the light fixtures make note of them and then continue with installation.

1. Remove the ceiling grid panel.
2. Rotate the mounting plate sideways to insert easily into the ceiling. Place the mounting plate in line with the ceiling grid.
3. Ensure the mounting plate sits evenly inside the T-bar ceiling grid.
4. Secure the mounting plate to the T-bar ceiling grid using aluminum tie wires (Fig.2).

**DIMENSIONS & ILLUSTRATION FIGURES**

