

## POST MOUNT FIXTURE INSTALLATION INSTRUCTIONS MODEL

Please read carefully and save these instructions, as you may need them at a later date.

### CAUTION

Turn off the main power at the circuit breaker before installing the fixture, in order to prevent possible shock.

### GENERAL

All electrical connections must be in accordance with local and National Electrical Code (N.E.C.) standards. If you are unfamiliar with proper electrical wiring connections obtain the services of a qualified electrician.

Remove the fixture and the mounting package from the box and make sure that no parts are missing by referencing the illustrations on the installation instructions.

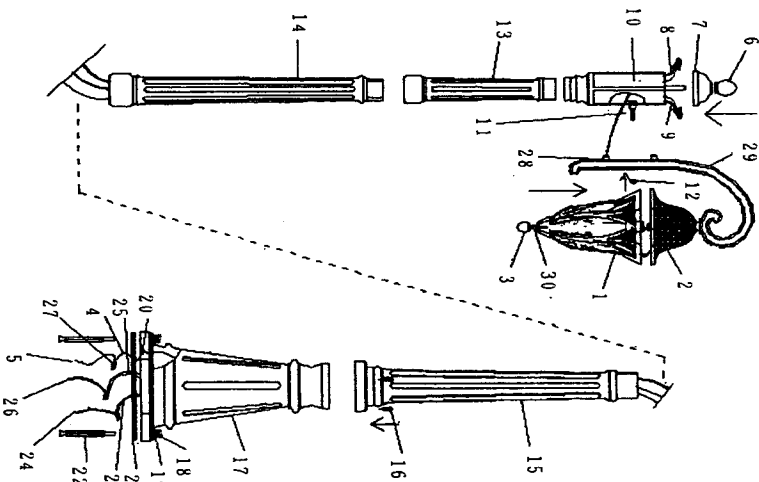
### ASSEMBLY AND INSTALLATION

1. Feed the **THREADED NIPPLE (28)** and wire into the **WIRE HOUSING (10)**, feed the **THREADED STUD (11)** through the **ARM (29)**. Screw the **ACORN NUT (12)** tight using the wrench. Repeat this step for the remaining two cage assemblies. Feed the wiring through the top opening. Connect the **WHITE FIXTURE WIRES (8)** to the provided **WHITE EXTENSION WIRE (25)** and the **BLACK FIXTURE WIRES (9)** to the provided **BLACK EXTENSION WIRE (23)** using **WIRE NUTS (27)**.
2. Feed the **EXTENSION WIRES (23 and 25)** and the **FIXTURE GROUND WIRE (4)** through the center shaft of the **TOP COLUMN (13)**. Attach the **WIRE HOUSING (10)** to the **TOP COLUMN (13)** by screwing them together.
3. Feed the **EXTENSION WIRES (23 and 25)** and the **FIXTURE GROUND WIRE (4)** through the center shaft of the **MIDDLE COLUMN (14)**. Attach the **TOP COLUMN (13)** to the **MIDDLE COLUMN (14)** by screwing them together.
4. Feed the **EXTENSION WIRES (23 and 25)** and the **FIXTURE GROUND WIRE (4)** through the center shaft of the **BOTTOM COLUMN (15)**. Attach the **MIDDLE COLUMN (14)** to the **BOTTOM COLUMN (15)** by screwing them together.
5. Feed the **EXTENSION WIRES (23 and 25)** and the **FIXTURE GROUND WIRE (4)** through the center of the **BASE (17)**. Attach the **MIDDLE COLUMN (15)** to the **BASE (17)** using the **HEX TAP SCREWS (16)**.
6. Place the **TEMPLATE (21)** over the desired installation location. Mark the locations of the **TEMPLATE (21)** holes. Remove the **TEMPLATE (21)**.
7. Drill  $1/2$ " diameter holes at the marked locations approximately  $3-1/2$ " through the concrete surface. (Note: Be careful not to exceed more than  $4$ ".) Make a hole at the marked location for the center hole. Feed the **SUPPLY WIRING (24 and 26)** and the **SUPPLY GROUND WIRE (5)** through the center hole.
8. Connect the **WHITE EXTENSION WIRE (25)** to the **WHITE SUPPLY WIRE (26)** and the **BLACK EXTENSION WIRE (23)** to the **BLACK SUPPLY WIRE (24)** using **WIRE NUTS (27)**. Wrap the **FIXTURE GROUND WIRE (4)** around the **GROUND SCREW (20)** and then mounted it firmly at the bottom of **BASE (17)**. Connect the **FIXTURE GROUND WIRE (4)** to the **SUPPLY GROUND WIRE (20)** using **WIRE NUTS (27)**.
9. Insert the **ANCHOR ASSEMBLIES (22)** into the holes with the threaded ends pointing upward. Place the **BASE (17)** over the **ANCHOR ASSEMBLIES (22)** by feeding them through the provided holes. Make sure that all wires are properly stuffed under the

### ASSEMBLY AND INSTALLATION (Continued)

10. Apply a waterproof caulk/sealant around the **BASE (17)** where it meets the ground. Make sure the wiring is completely sealed from any rain.
11. Carefully push the **WIRE NUTS (27)** into the **WIRE HOUSING (10)**, cover the top opening with the **CAP (7)**. Screw the **FINAL (6)** into the nipple.
12. Screw light bulb into the threaded sockets and make sure they do not exceed the maximum wattage specified on the fixture's wattage rating label.
13. Attach the **CAGE (1)** to the **HOOD (2)** by feeding the **THREADED STEM (30)** of the **HOOD (2)** through the bottom hole the **CAGE (1)**. Secure the **CAGE (1)** by screwing the **FINAL (3)** to **THREADED STEM (30)** of the **HOOD (2)**.

### INSTALLATION IS NOW COMPLETED



- |                        |                                |                          |
|------------------------|--------------------------------|--------------------------|
| 1. CAGE                | 12. ACORN NUT                  | 23. BLACK EXTENSION WIRE |
| 2. HOOD                | 13. TOP COLUMN                 | 24. BLACK SUPPLY WIRE    |
| 3. FINAL               | 14. MIDDLE COLUMN              | 25. WHITE EXTENSION WIRE |
| 4. FIXTURE GROUND WIRE | 15. BOTTOM COLUMN              | 26. WHITE SUPPLY WIRE    |
| 5. SUPPLY GROUND WIRE  | 16. HEX TAP SCREW              | 27. WIRE NUT             |
| 6. FINAL               | 17. BASE                       | 28. THREADED NIPPLE      |
| 7. CAP                 | 18. HEX NUT                    | 29. ARM                  |
| 8. WHITE FIXTURE WIRE  | 19. SPLIT LOCK WASHER & WASHER | 30. THREADED STEM        |
| 9. BLACK FIXTURE WIRE  | 20. GROUND SCREW               |                          |
| 10. WIRE HOUSING       | 21. TEMPLATE                   |                          |
| 11. THREADED STUD      | 22. ANCHOR ASSEMBLY            |                          |