

CAMBRIDGE Passage Knob



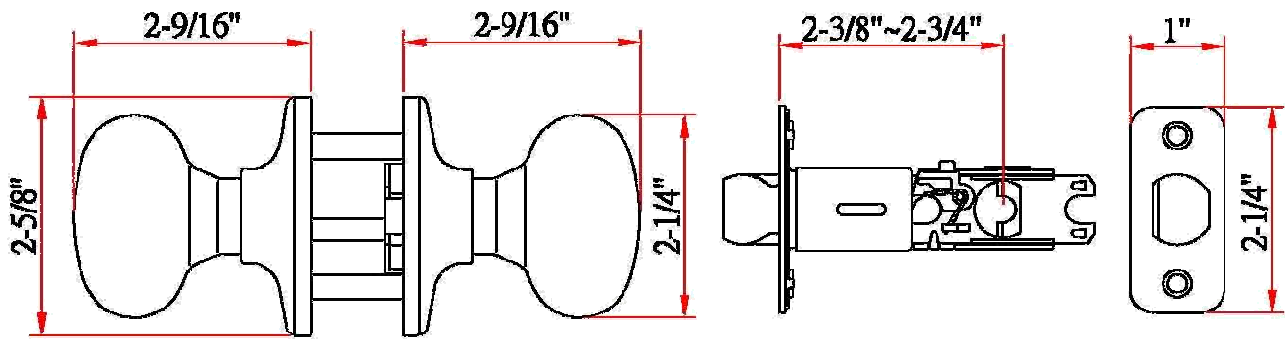
Specifications

Latch Type	2-Way Latch & Universal Latch available
Door Prep	Cross bore 2-1/8" dia (54mm). Edge bore 1" dia (25mm)
Backset	Adjustable to 2-3/8" or 2-3/4"
Door Thickness	1-3/8" - 1-3/4" door standard
Cylinder	—
Faceplate	1" x 2-1/4" radius corner. (Square and drive-in also available on Universal)
Strike	Standard radius corner . Other options available.
Latch Bolt	Full 1/2" throw. Nickel plated.
Door Handing	Non-handed. Reversible for Left or Right hand doors.



Keyway	—
Keyed Alike	—

Dimensions



Warranty & Compliances

Warranty	Limited Lifetime Mechanical / 5 year Finish
ANSI/BHMA	Meets ANSI Grade 3 specification
ADA	N/A
UL	N/A



Order Codes

Box Pack	2W	Universal	
Satin Nickel (US15)	753301	741306	
Polished Brass (US3)	753269	741264	
Oil Rubbed Bronze (US10B)	753442	753020	
Antique Brass (US5)	755165	755199	
Rustic Pewter	701011	701060	
View Pack			
Satin Nickel (US15)	753129	754721	
Polished Brass (US3)	753095	754697	
Oil Rubbed Bronze (US10B)	753210		
Antique Brass (US5)		755249	

Type:

Job:

Order Code:

Approvals:

Design House reserves the right to make changes in materials, specifications & models at any time. Design House also reserves the right to discontinue product without notice or obligation.