

# DEADBOLT Single Cylinder



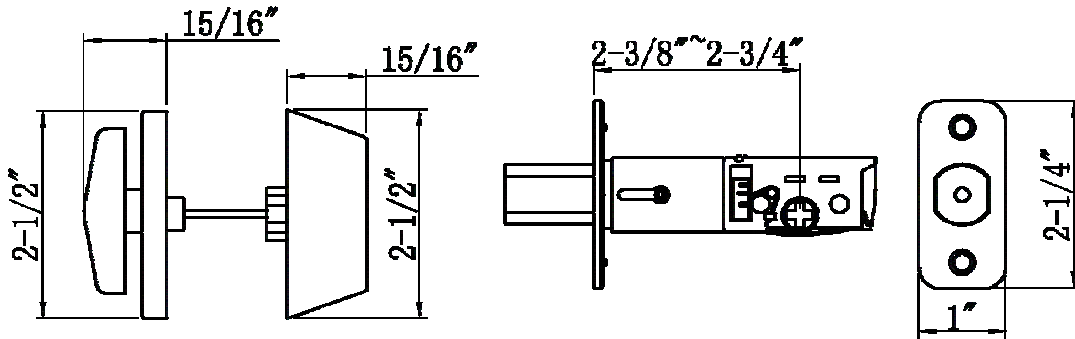
## Specifications

<b>Latch Type</b>	2-Way Latch & Universal Latch available
<b>Door Prep</b>	Cross bore 2-1/8" dia (54mm). Edge bore 1" dia (25mm)
<b>Backset</b>	Adjustable to 2-3/8" or 2-3/4"
<b>Door Thickness</b>	1-3/8" - 1-3/4" door standard
<b>Cylinder</b>	5-pin High Security - removable core
<b>Faceplate</b>	1" x 2-1/4" radius corner. (square corner & 6W or drive-in also available)
<b>Strike</b>	Standard radius corner . Other options available.
<b>Latch Bolt</b>	Full 1" throw. Nickel plated.
<b>Door Handing</b>	Non-handed. Reversible for Left or Right hand doors.



<b>Keyway</b>	KW1
<b>Keyed Alike</b>	KA4 - 4 deadbolts keyed alike

## Dimensions



## Warranty & Compliances

<b>Warranty</b>	Limited Lifetime Mechanical / 5 year Finish
<b>ANSI/BHMA</b>	Meets ANSI Grade 3 specification
<b>ADA</b>	N/A
<b>UL</b>	N/A



## Order Codes

<i>Box Pack</i>	<b>2W</b>	<b>Universal</b>	
Satin Nickel (US15)	783589	740423	
Polished Brass (US3)	782763	741363	
Oil Rubbed Bronze (US10B)	791665	740431	
Antique Brass (US5)	755306	755322	
Rustic Pewter	701144	701185	
Statuary Bronze	701268	701292	
PVD Brass	518506	740415	
<i>View Pack</i>			
Satin Nickel (US15)	784843	754895	
Polished Brass (US3)	780999	754879	
Oil Rubbed Bronze (US10B)	750745	754903	
Antique Brass (US5)	755348	755264	
PVD Brass	518886		

**Type:**

**Job:**

**Order Code:**

**Approvals:**

Design House reserves the right to make changes in materials, specifications & models at any time. Design House also reserves the right to discontinue product without notice or obligation.