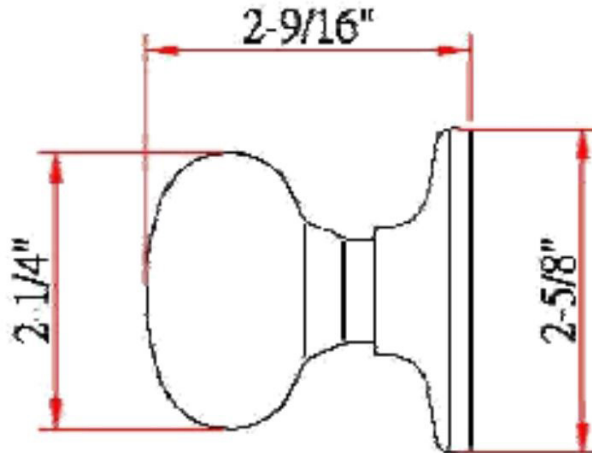


### Cambridge Dummy Door Knob Polished Brass



## SPECIFICATIONS

MATERIAL CONSTRUCTION:	Brass	KEYWAY:	N/A
LOCK FUNCTION:	Dummy	REMOVABLE CORE:	No
DEADBOLT FUNCTION:	N/A	LATCH FACEPLATE I:	N/A
EXTERIOR MAX PROJECTION:	2.56"	LATCH BACKSET:	N/A
INTERIOR MAX PROJECTION:	2.56"	LATCH TYPE:	N/A
KOB VS. LEVER:	Knob	LATCHBOLT THROW DISTANCE:	N/A
KNOB DIMENSIONS:	2.25" H x 2.25" W x 2.25" D	# PINS IN CYLINDER:	N/A
LEVER LENGTH:	N/A	ANTI-BUMP PIN INSTALLED:	N/A
ROSE DIMENSIONS:	2.63" H x 2.63" W x 2.63" D	# KEYS INCLUDED:	N/A
ROSETTE / ESCUTCHEON SHAPE:	Round	SPINDLE TYPE:	Other
CROSS BORE:	2.13"	MOUNTING HARDWARE INCLUDED:	Yes
EDGE BORE:	1"	TOOLS NEEDED FOR INSTALLATION:	Phillips Screwdriver
HANDING:	Reversible	ASSEMBLED WEIGHT:	0.29 lbs.
REKEYABLE?:	No		

WARRANTY:	5-Year limited warranty
ANSI CERTIFICATION:	Grade 3
BHMA GRADE:	N/A
FIRE RATED:	No
ADA COMPLIANT:	No



TYPE:
JOB:
ORDER CODE:
APPROVALS: