

C-Series Dummy Lever

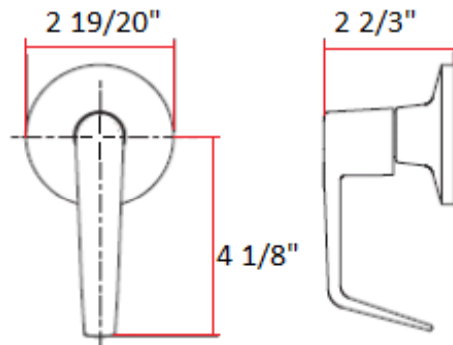


Specifications

Latch Type
Door Prep
Backset
Door Thickness 1-3/8" - 1-3/4" door standard
Cylinder
Faceplate
Strike
Bolt
Door Handing Non-handed. Reversible for Left or Right hand doors.
Keyway
Keyed Alike



Dimensions



Warranty & Compliances

Warranty Limited Lifetime Mechanical / 5 year Finish
ANSI/BHMA ANSI Grade 2 Certified
ADA ADA Compliant (4.13.9)
UL UL Listed for use on fire doors (up to 3 hours)



Order Codes

Box Pack
Brushed Bronze 701961
Satin Chrome 701888



Type:
Job:
Order Code:
Approvals:

Design House reserves the right to make changes in materials, specifications & models at any time. Design House also reserves the right to discontinue product without notice or obligation.