

C-Series Dummy Lever

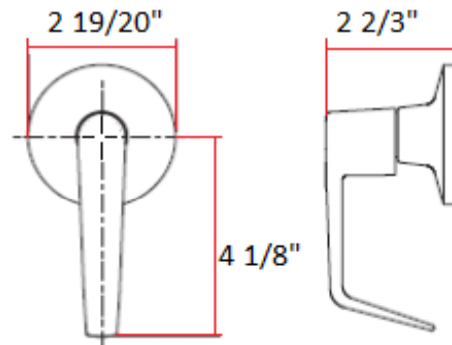


Specifications

Latch Type
Door Prep
Backset
Door Thickness 1-3/8" - 1-3/4" door standard
Cylinder
Faceplate
Strike
Bolt
Door Handing Non-handed. Reversible for Left or Right hand doors.
Keyway
Keyed Alike



Dimensions



Warranty & Compliances

Warranty Limited Lifetime Mechanical / 5 year Finish
ANSI/BHMA Meets ANSI Grade 2 specification
ADA N/A
UL N/A



Order Codes

Satin Chrome **Box Pack** 701888
Brushed Bronze 701961



Type:
Job:
Order Code:
Approvals:

Design House reserves the right to make changes in materials, specifications & models at any time. Design House also reserves the right to discontinue product without notice or obligation.