

ASPEN Tub & Shower Faucet

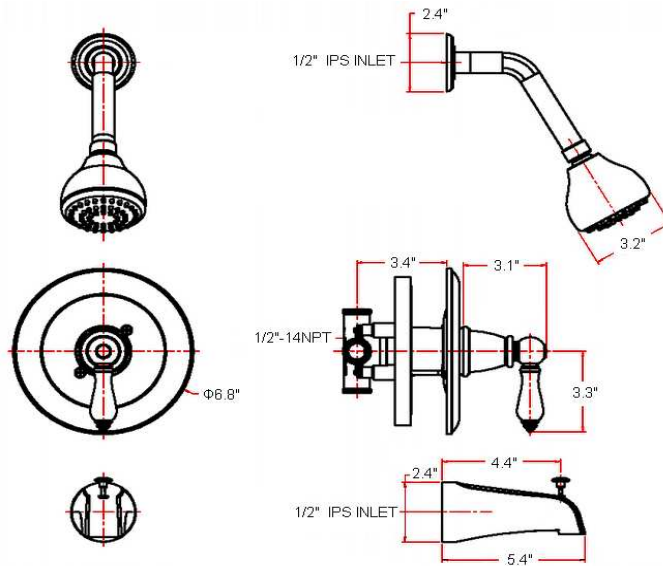


Specifications

| | |
|-------------------------------|---|
| Material Content | Brass body with zinc alloy handle and spout |
| Cartridge | Ceramic Disc Cartridge; Pressure Balanced |
| Lever Handle Operation | (1/4) quarter turn stop |
| Spout | Pull-up diverter spout |
| Shower Head | Single Function |



Dimensions



Warranty & Compliances

| | |
|------------------|---------------------------|
| Warranty | Lifetime Limited Warranty |
| IAPMO/UPC | UPC & cUPC Compliant |
| ASME | ASME A112.18.1 |
| ANSI | Compliant |
| ADA | Compliant |
| CSA | Compliant |



Order Codes & Finishes/Colors

| | | | |
|----------------------------------|--------|---------------------|-----------|
| Satin Nickel (US15) | 526822 | Pressure BALANCED ▲ | TRU MATCH |
| Oil Rubbed Bronze (US10B) | 526814 | Pressure BALANCED ▲ | TRU MATCH |
| Polished Chrome (US16) | 526830 | Pressure BALANCED ▲ | TRU MATCH |

Type:
 Job:
 Order Code:
 Approvals:

Design House reserves the right to make changes in materials, specifications & models at any time. Design House also reserves the right to discontinue product without notice or obligation.