



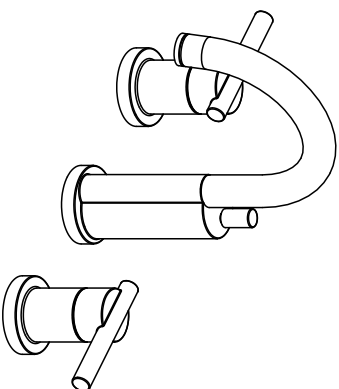
Design House is a registered brand of DHI Corp.

Mequon, WI 53092

1-800-558-8700

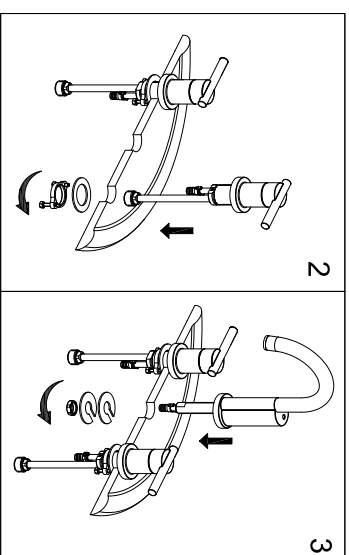
GENEVA TWO HANDLE LAVATORY FAUCET

Models 525741, 525733

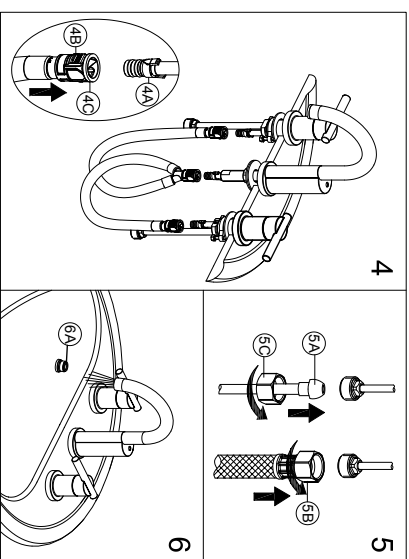


INSTALLATION PROCEDURE

1. Shut off water supply. Remove the old faucet, taking care not to damage existing water lines. Clean the surface in preparation for new faucet.
2. Slide hot and cold end valves through sink mounting holes. Make sure long tubes are installed away from the spout. Handles should point out when in off position. The hot side handle is indicated by a tag with red printing. Secure end valves with metal washers and threaded brackets. Hand tighten brackets onto shank. Lock brackets into position by tightening screws.
3. Place spout through mounting hole in sink. Secure spout with rubber washer, metal washer and nut.



4. Align the tabs (4A & 4B) on the quick connect assembly (4C). Push the quick connect assembly (4C) firmly upward and snap it onto the receiving tube tab. Pull down moderately to ensure the connection has been made. If it is necessary to remove the quick connect assembly (4C), squeeze the tabs on the hose, and then pull down to disconnect.
5. Making the watertight connections: Use 1/2 in. I.P.S. faucet connections (5B, not included), or use the supplied coupling nut (5C) with a 3/8 in. O.D. ball-nose riser (5A, not included). Before tightening the faucet connector to the water supply, apply a second wrench to the supply tube fitting. This will prevent the supply tube from moving or twisting when tightening the faucet connector. Do not overtighten.



6. IMPORTANT! After installation is complete, remove the aerator to flush the water lines. Do not lose the gasket (6A) in the aerator. Turn on the water supply and allow both hot and cold water to run for at least one minute each. This flushes away any debris that could cause damage to internal parts. While the water is running, check for leaks. Turn off the water and replace the aerator.

Your new Design House faucet will give you years of trouble free performance. Thank you for choosing our product for your home. **Please read all of these instructions carefully before installing your new faucet.**

Helpful tools to install this faucet:

- basin wrench
- Teflon tape
- (2) crescent wrenches
- silicon sealer
- flashlight
- faucet supply tubes

IMPORTANT POINTS

- When installing your new faucet, hand tighten the connector nuts, then use one wrench to anchor the fitting and a second wrench to tighten the nut one additional turn. Connections that are too tight will reduce the integrity of the system.
- Wrap threaded connections (except aerator thread in spout or where O-ring or rubber sealant are present) with Teflon tape available from your local hardware or plumbing supply store. Always wrap in a clockwise direction.

SAFETY TIPS

- **ALWAYS** protect your eyes with safety glasses.

MAINTENANCE

Your new Design House faucet is designed to give you years of trouble free performance. Avoid abrasive cleaners, steel wool and harsh chemicals that will dull the finish and void your warranty. Brass finishes are polished, then protected with a PVD or a lacquer coating to help prevent tarnishing. Clean these surfaces only with a damp, soft cloth. Keep it looking like new by cleaning it periodically with a mild solution of soapy water. Rinse thoroughly and then dry with a soft cloth.

CONSUMER PROTECTION WARNING

Under the Safe Drinking Water Act, the U.S. Environmental Protection Agency restricts the amount of lead used in brass and solder. Your new faucet is made in strict compliance with all government standards. The materials used in the manufacture of this faucet are of industry standard quality and are similar to other plumbing products having brass fittings. To reduce the amount of lead in your drinking water, allow the water to run for a moment before filling your glass and remember to always use cold water for drinking purposes.

TROUBLE SHOOTING

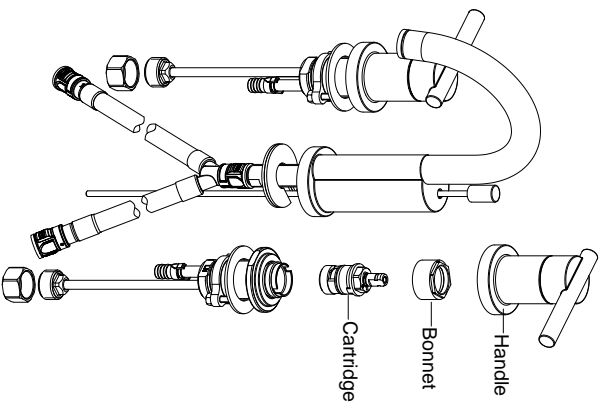
- o 525741 - Polished Chrome
- o 525733,813667 - Satin Nickel

Problem: Faucet leaks from under handle.

Cause: Bonnet is loose or o-ring on cartridge is dirty or twisted.

Action:

1. Move handle to OFF position. Unscrew the set screw on the side of the handle seat. Then remove the entire handle assembly.
2. Tighten the bonnet by turning it clockwise. Move the cartridge stem to the ON position. The leak should stop around the cartridge stem.
3. If the leak does not stop, shut off the water supply. Remove the bonnet by turning it counter clockwise. Lift out the cartridge valve. Inspect the o-rings. Clear debris, untwist, or replace if necessary.
4. Replace the cartridge making sure the wings fit well into the cuts in the faucet body. Tightly screw the bonnet onto the faucet body.
5. Reinstall the handle.



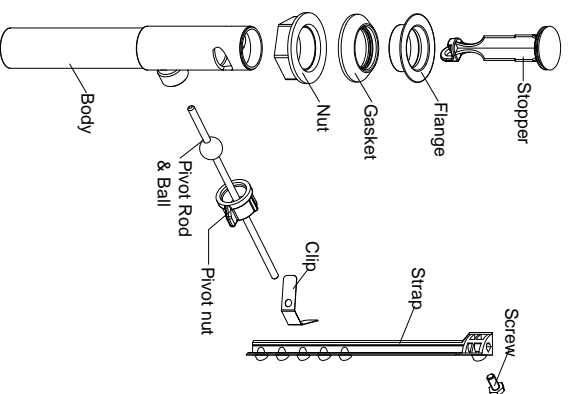
Problem: Faucet leaks around aerator or an improper flow pattern.

Cause: Aerator is incorrectly fitted or is dirty

Action:

1. Unscrew the aerator. Make sure all internal parts are laying flat.
2. If there is debris, gently flush all parts inside.
3. Reinstall aerator.

Many of these parts come preassembled. This exploded diagram is to assist in trouble shooting.

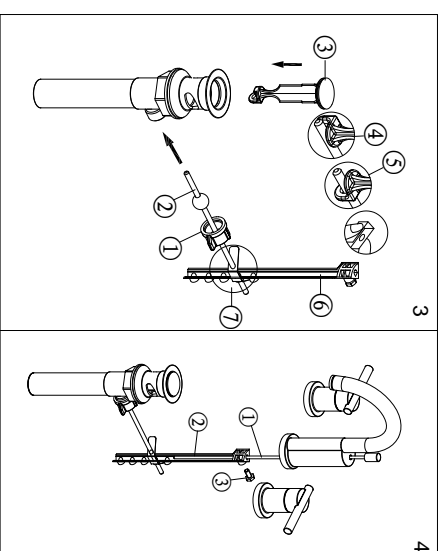
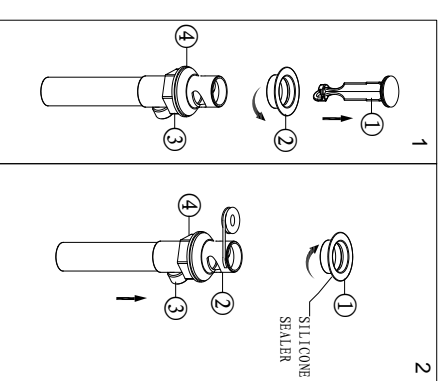


POP-UP INSTALLATION EXPLODED PARTS

POP-UP (OPTIONAL) INSTALLATION PROCEDURE

1. Install Pop-up Assembly. Remove stopper (1) and flange (2). Screw nut(3) all the way down. Push gasket (4) down.

2. Apply plumber's putty to the underside of flange (1). Apply teflon tape to threads at the top of body (2). Insert body (2) into sink. Screw flange onto body. Pivot hole (3) must face the back of the sink. Tighten nut/gasket (4), do not overtighten. Clean excess putty.



3. Remove pivot nut (1). Install horizontal rod (2) and stopper (3) as removable (4) or non-removable(5). Hand tighten pivot nut (1). Attach horizontal rod to strap (6) using clip (7).

4. Insert lift rod (1) into strap (2) and tighten screw (3).