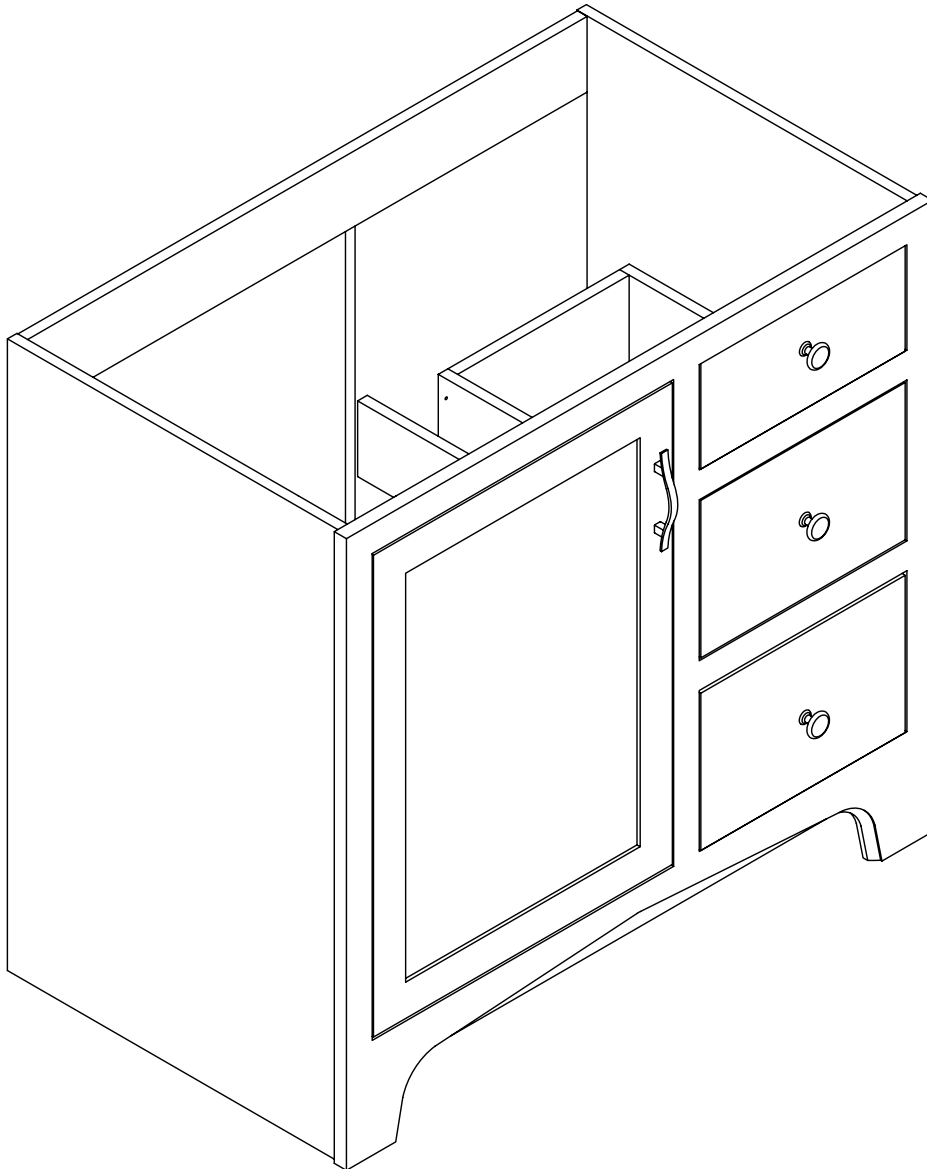




[www.todaysdesignhouse.com](http://www.todaysdesignhouse.com)

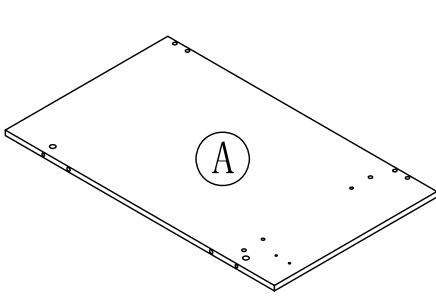


541284 • 541425

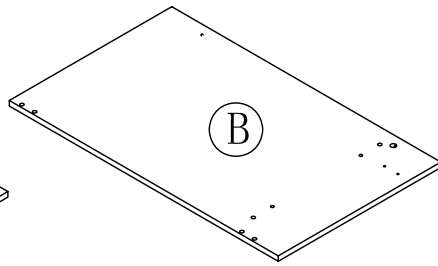
# ASSEMBLY INSTRUCTIONS

DHI Corp. • 5205 W. Donges Bay Rd. • Mequon, WI 53092 • 800.558.8700

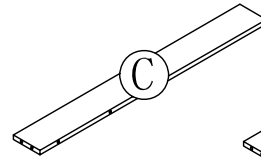
PARTS LIST:



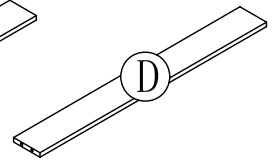
LEFT SIDE  
PANEL 1PC



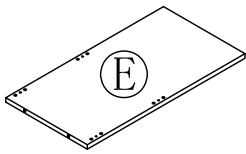
RIGHT SIDE  
PANEL 1PC



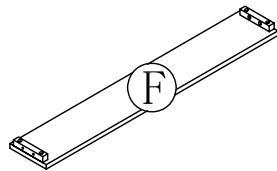
BACK UP CROSS  
BRACE 1PC



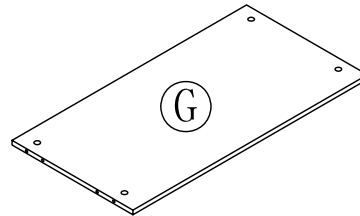
BACK DOWN CROSS  
BRACE 1PC



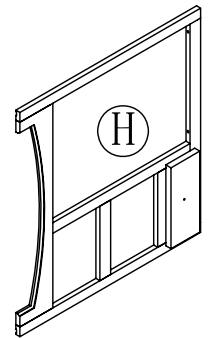
BACK PARTITION  
PANEL 1PC



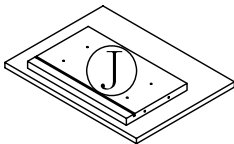
TOE KICK  
PANEL 1PC



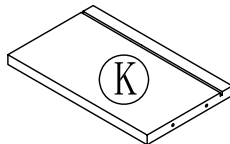
BOTTOM PANEL 1PC



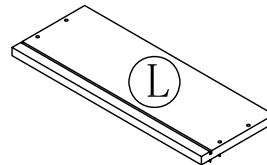
FRONT FRAME 1PC



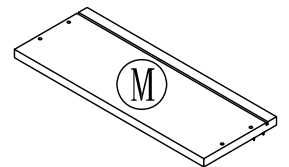
DRAWER FRONT  
PANEL 2PCS



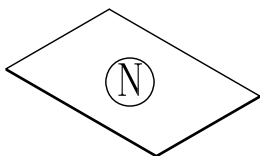
DRAWER BACK  
PANEL 2PCS



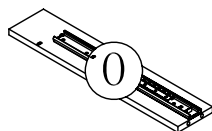
DRAWER LEFT SIDE  
PANEL 2PCS



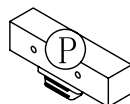
DRAWER RIGHT  
SIDE PANEL 2PCS



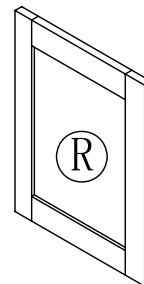
DRAWER BOTTOM  
PANEL 2PCS



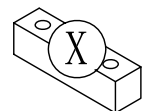
SUPPORT  
PANEL 4PCS



MAGNET 1PC



DOOR 1PC

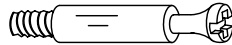


STOPPER 1PC

# HARDWARE LIST:



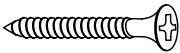
a. WOOD DOWEL 28PCS



b. CAM LOCK SCREW  
16PCS



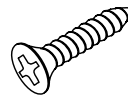
c. CAM LOCK 16PCS



d. 1" L FLAT HEAD  
SCREW 12PCS



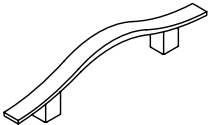
e. 1-1/2" L FLAT HEAD  
SCREW 16PCS



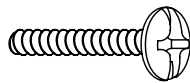
g. 1/2" L FLAT HEAD  
SCREW (FOR HINGE) 4PCS



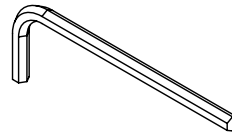
l. KNOB 3PCS



m. HANDLE 1PC



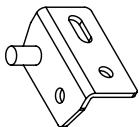
n. HANDLE (KNOB)  
BOLT 5PCS



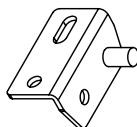
o. WRENCH 1PC



p. GLUE 1PC



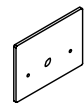
q. HINGE (1) 1PC



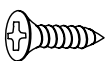
r. HINGE (2) 1PC



s. PLASTIC PLUG  
(FOR HINGE) 2PCS



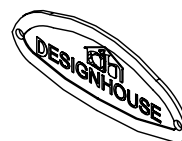
t. METAL  
PLATE 1PC



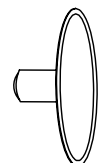
u. 3/8" L FLAT HEAD  
SCREW 1PC



v. SMALL FLAT HEAD  
SCREW (FOR LOGO) 2PCS

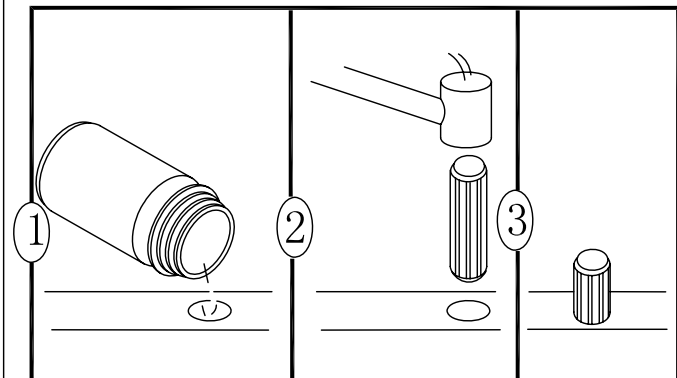
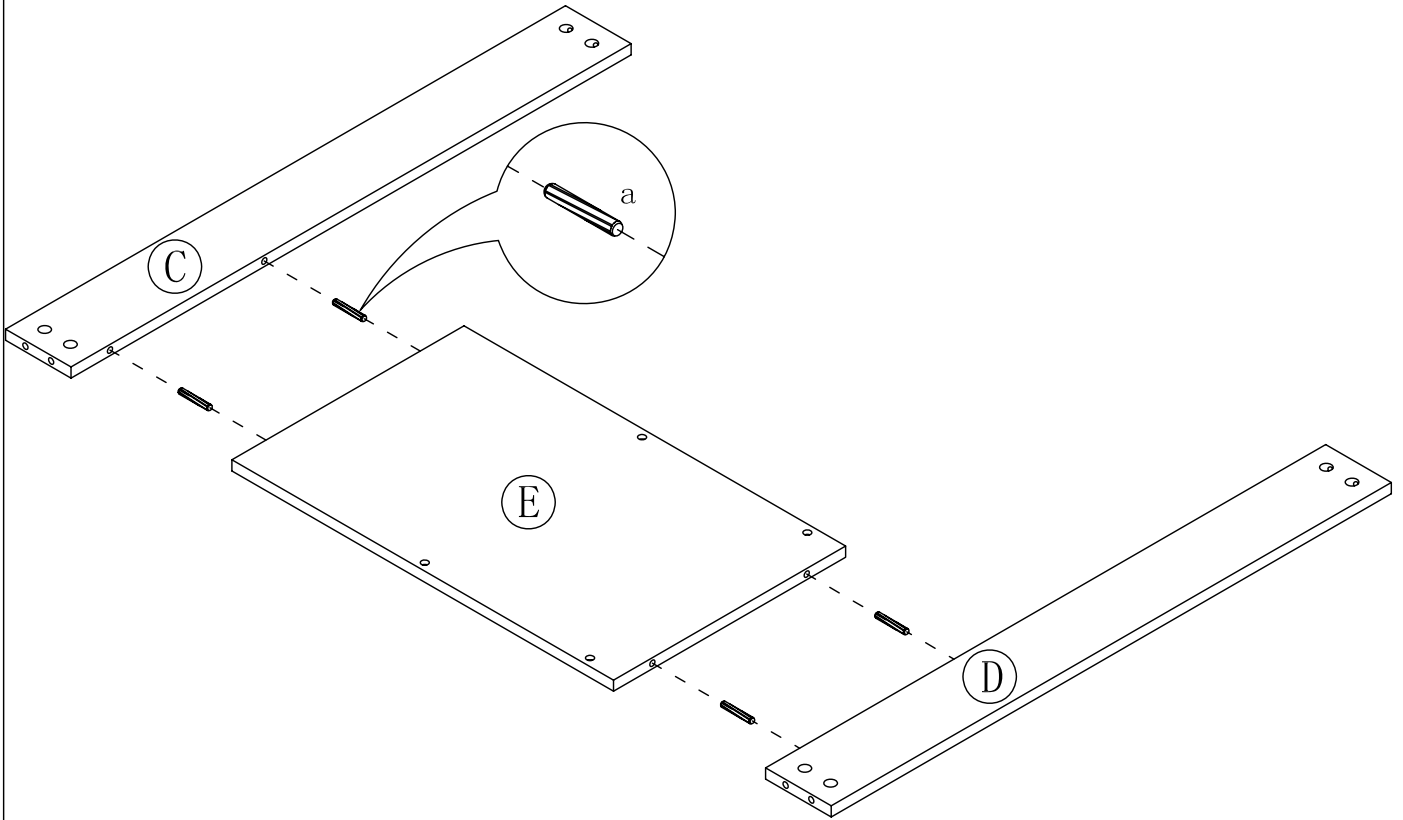


x. LOGO 1PC

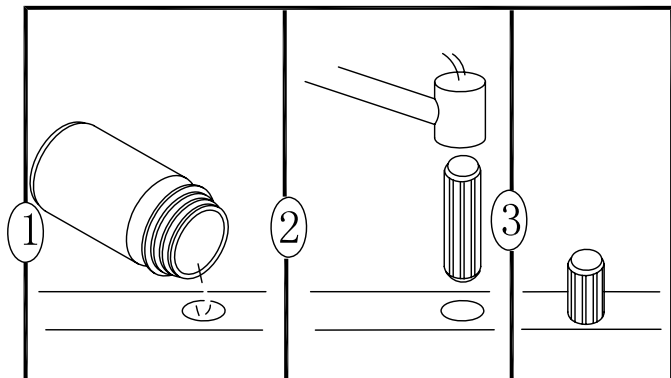
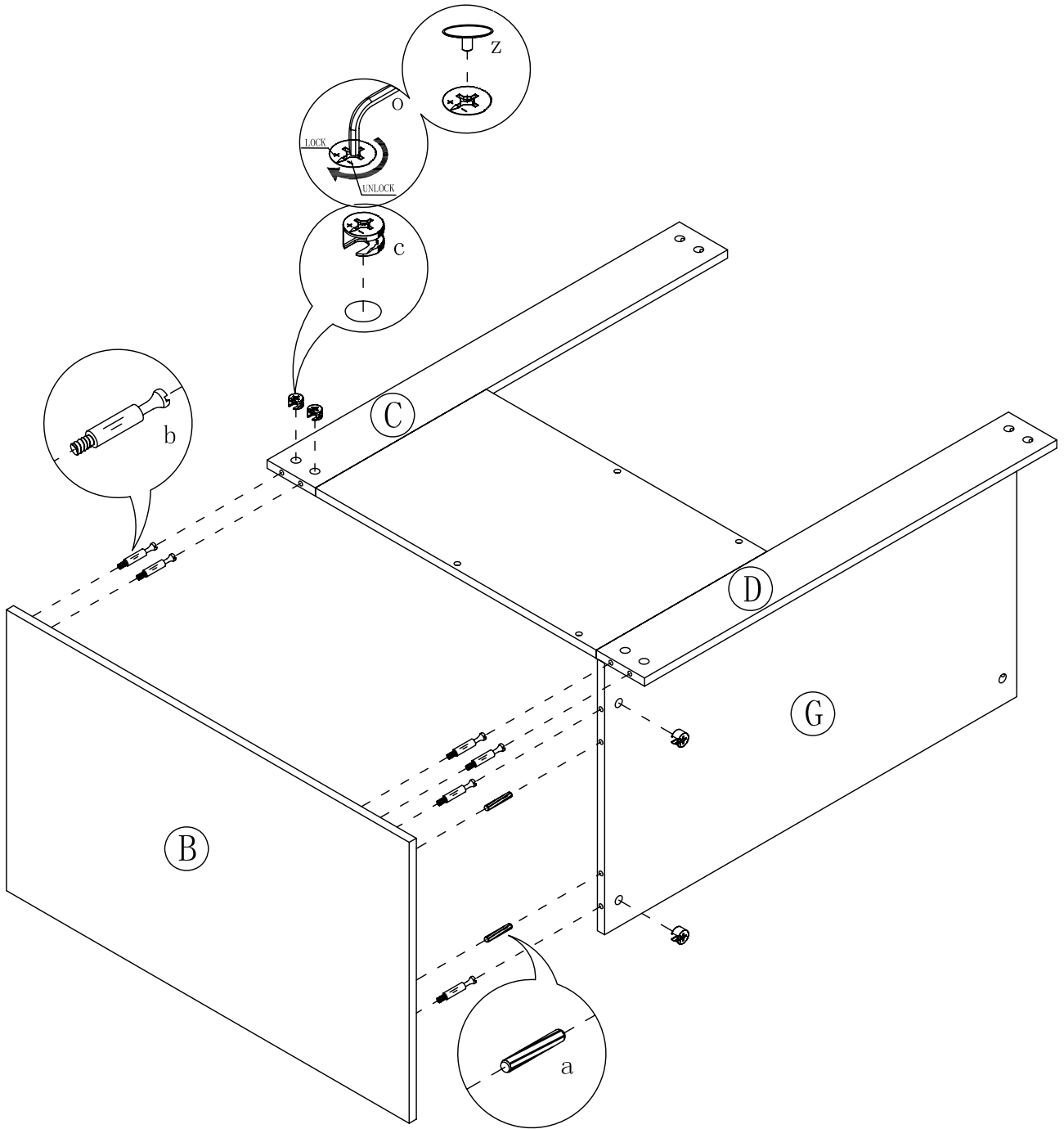


z. PLASTIC COVER  
16PCS

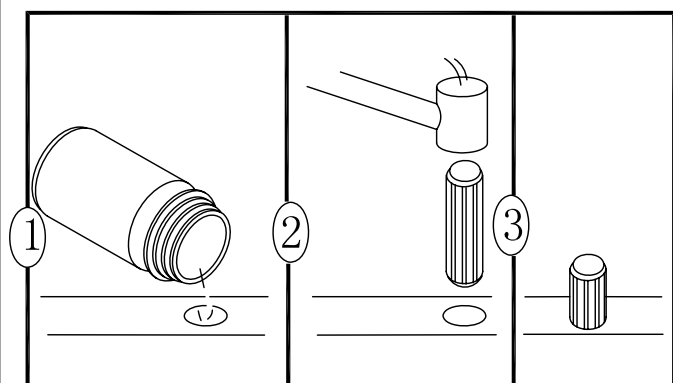
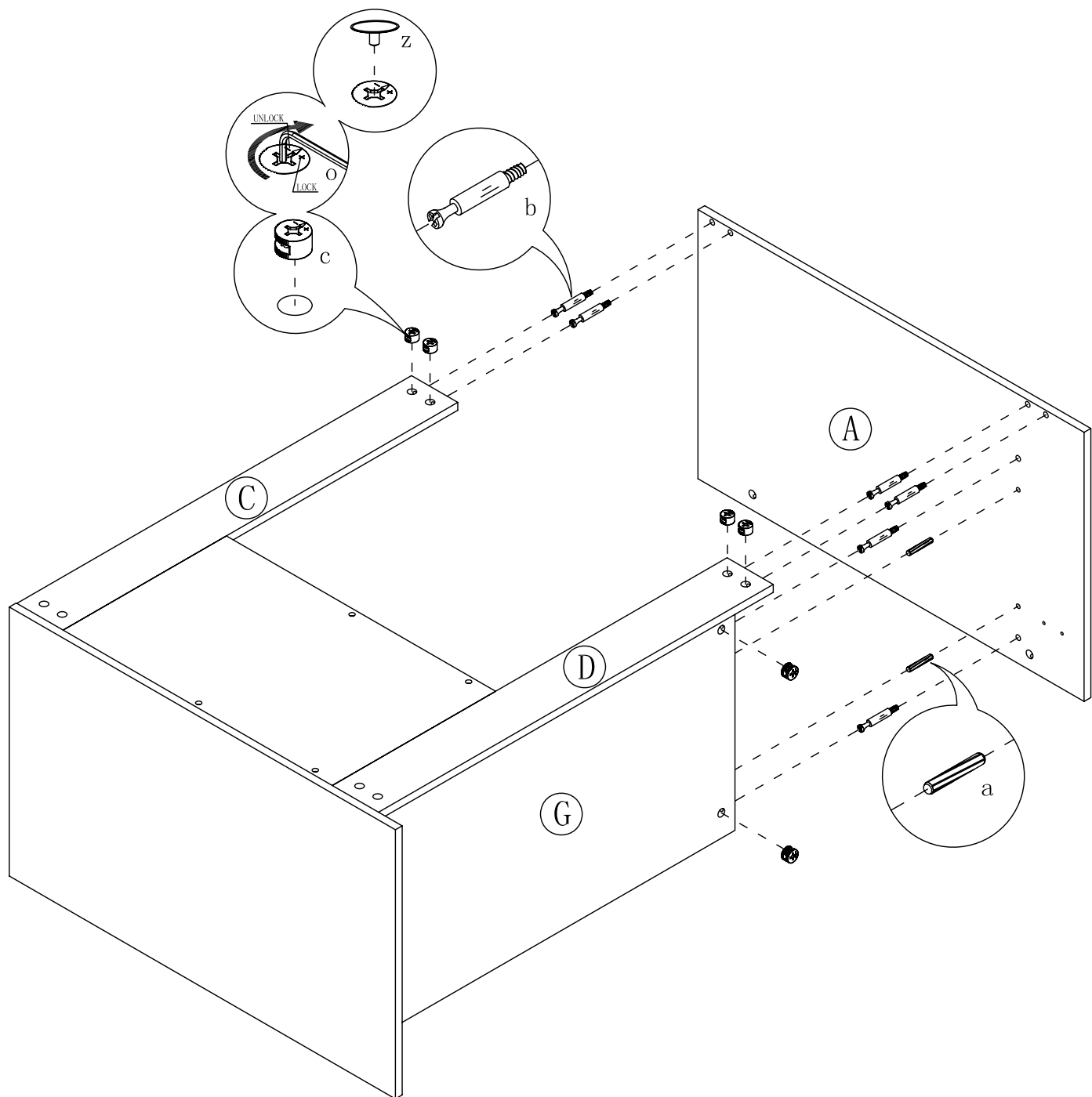
# STEP 1



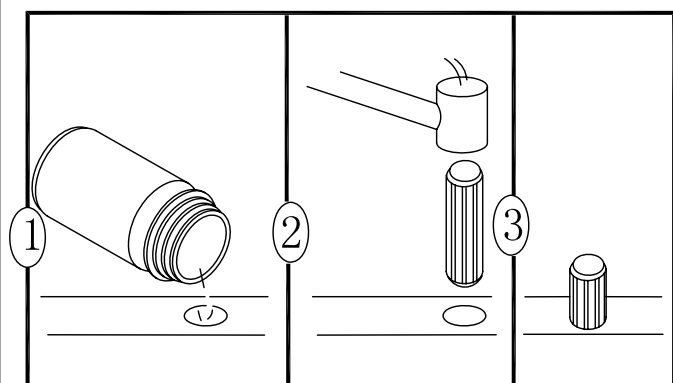
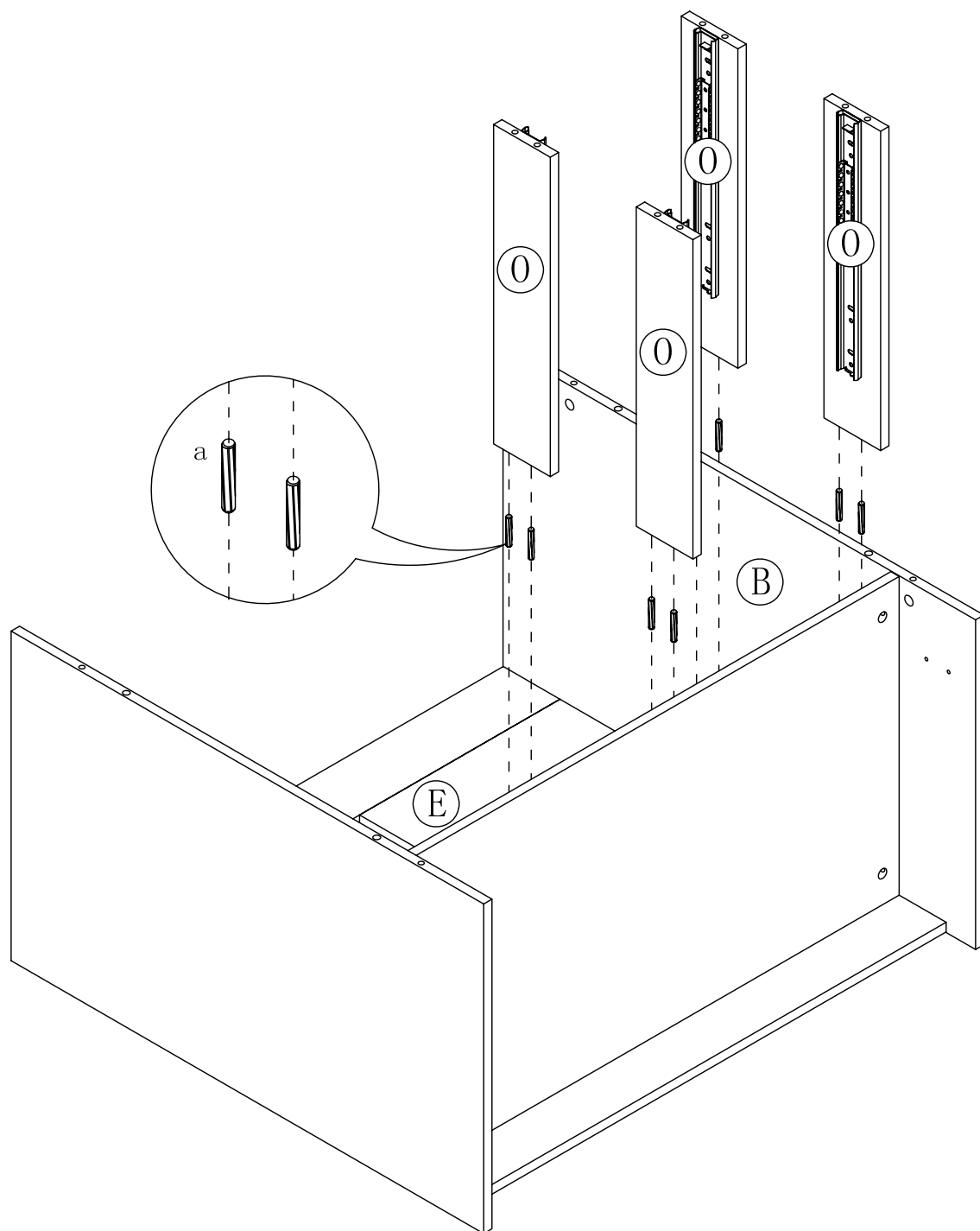
# STEP 2



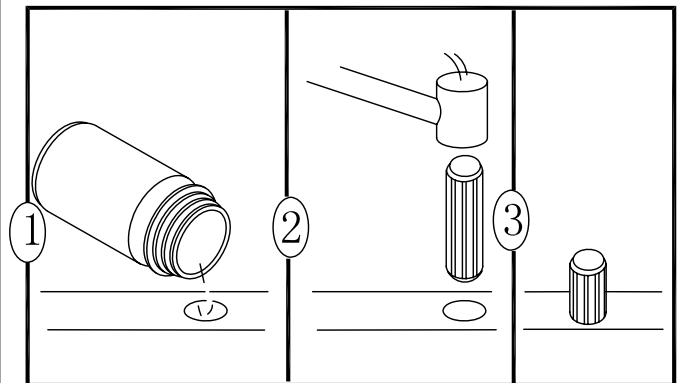
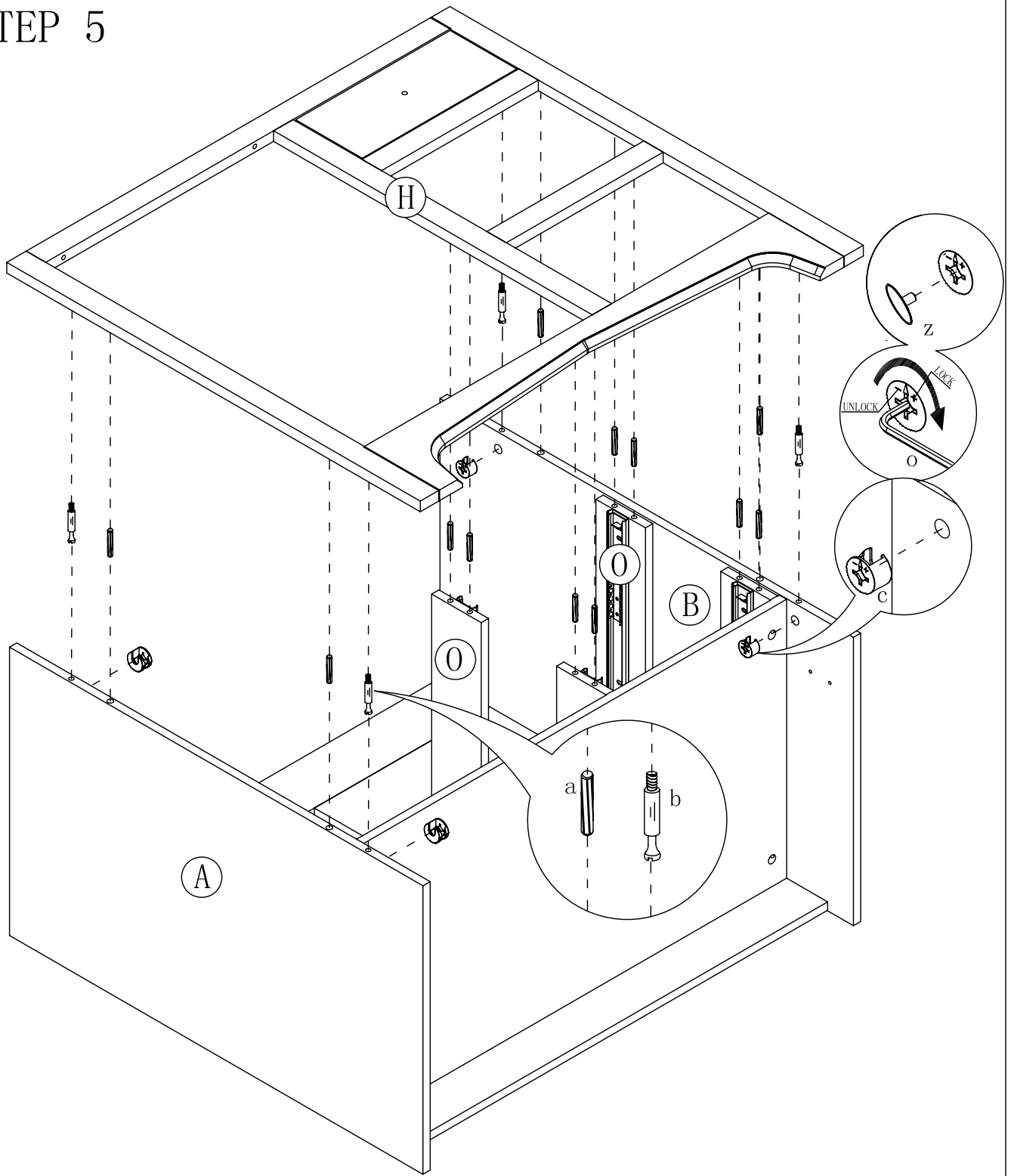
# STEP 3



# STEP 4

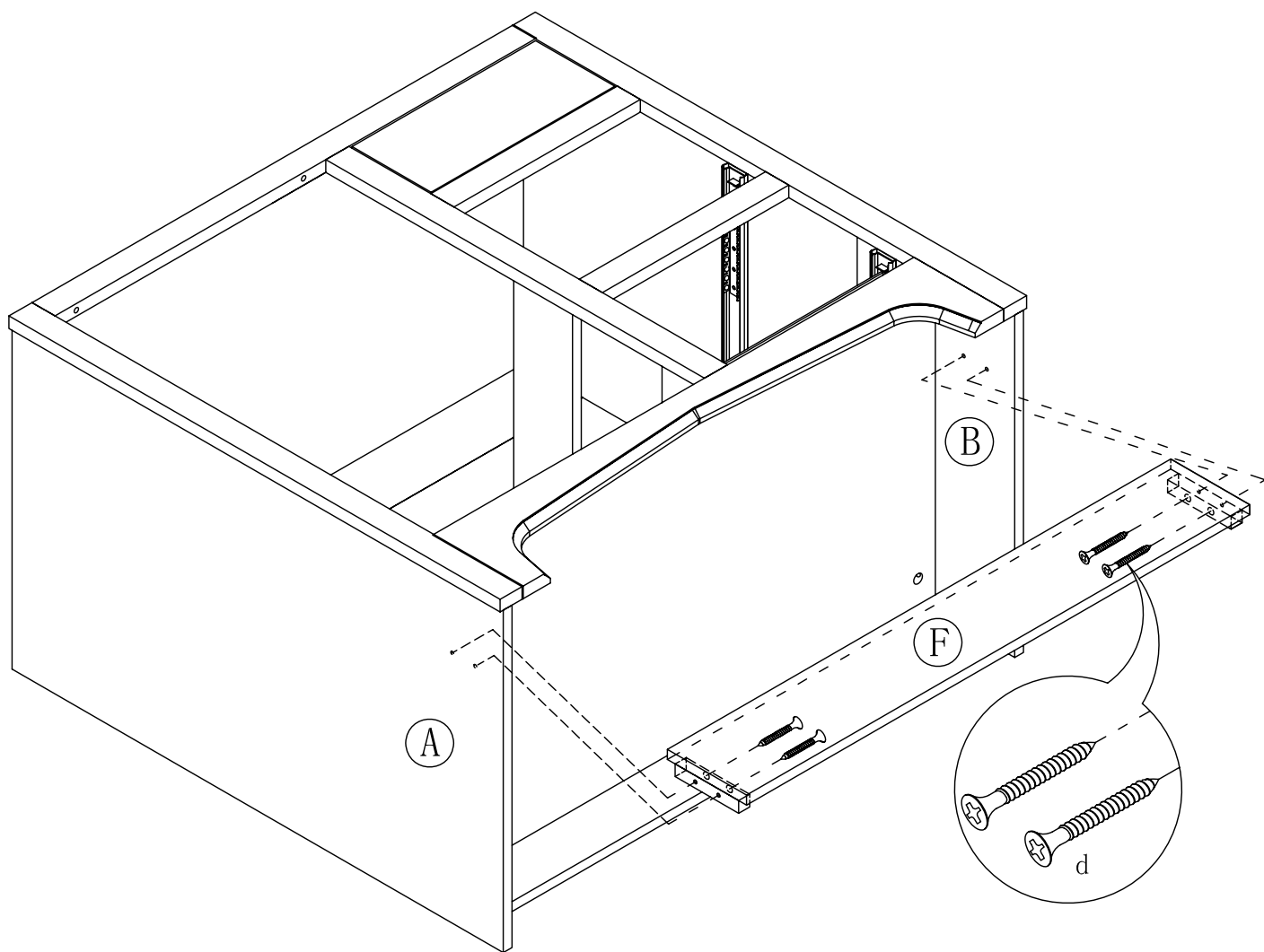


# STEP 5

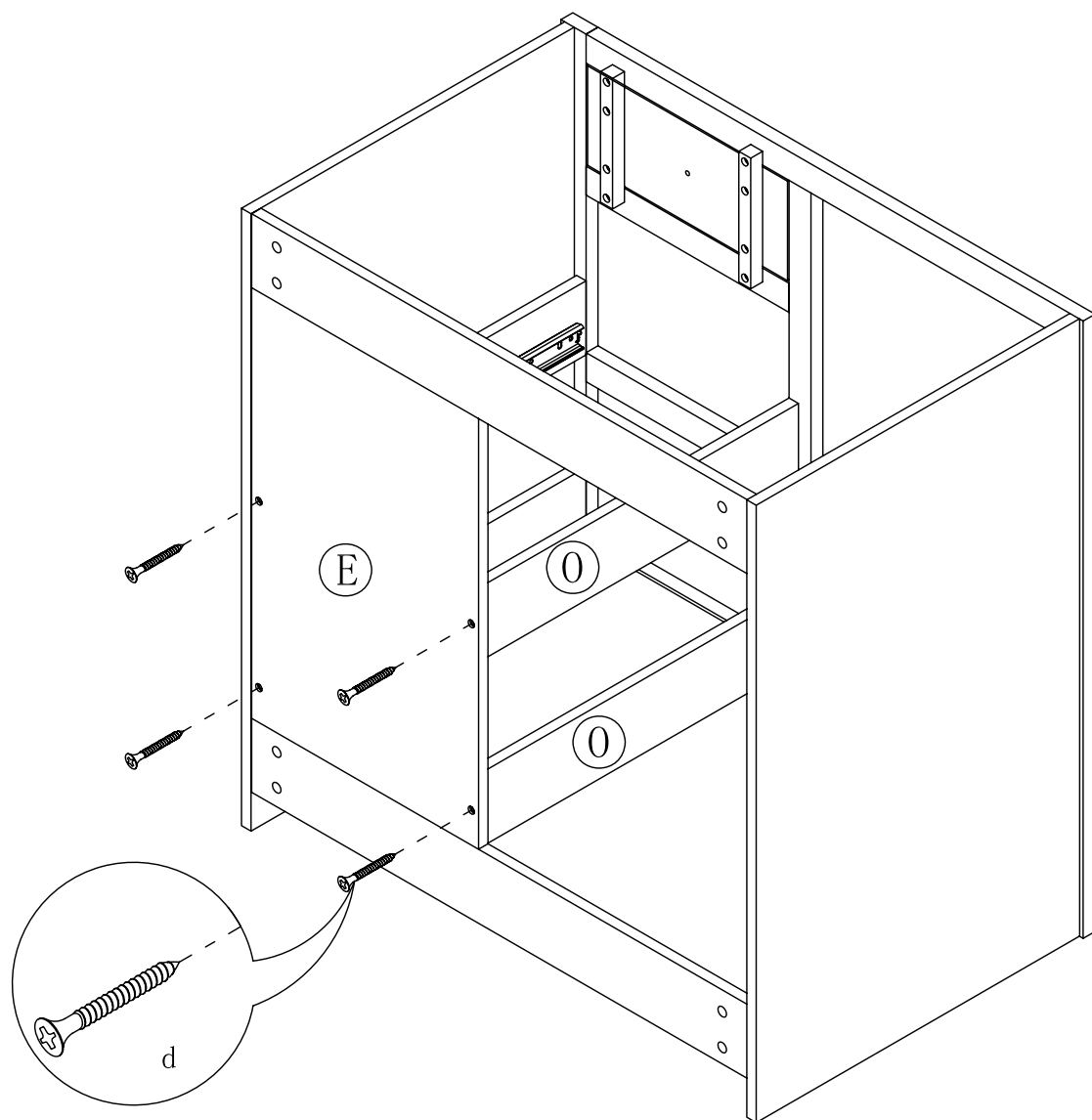




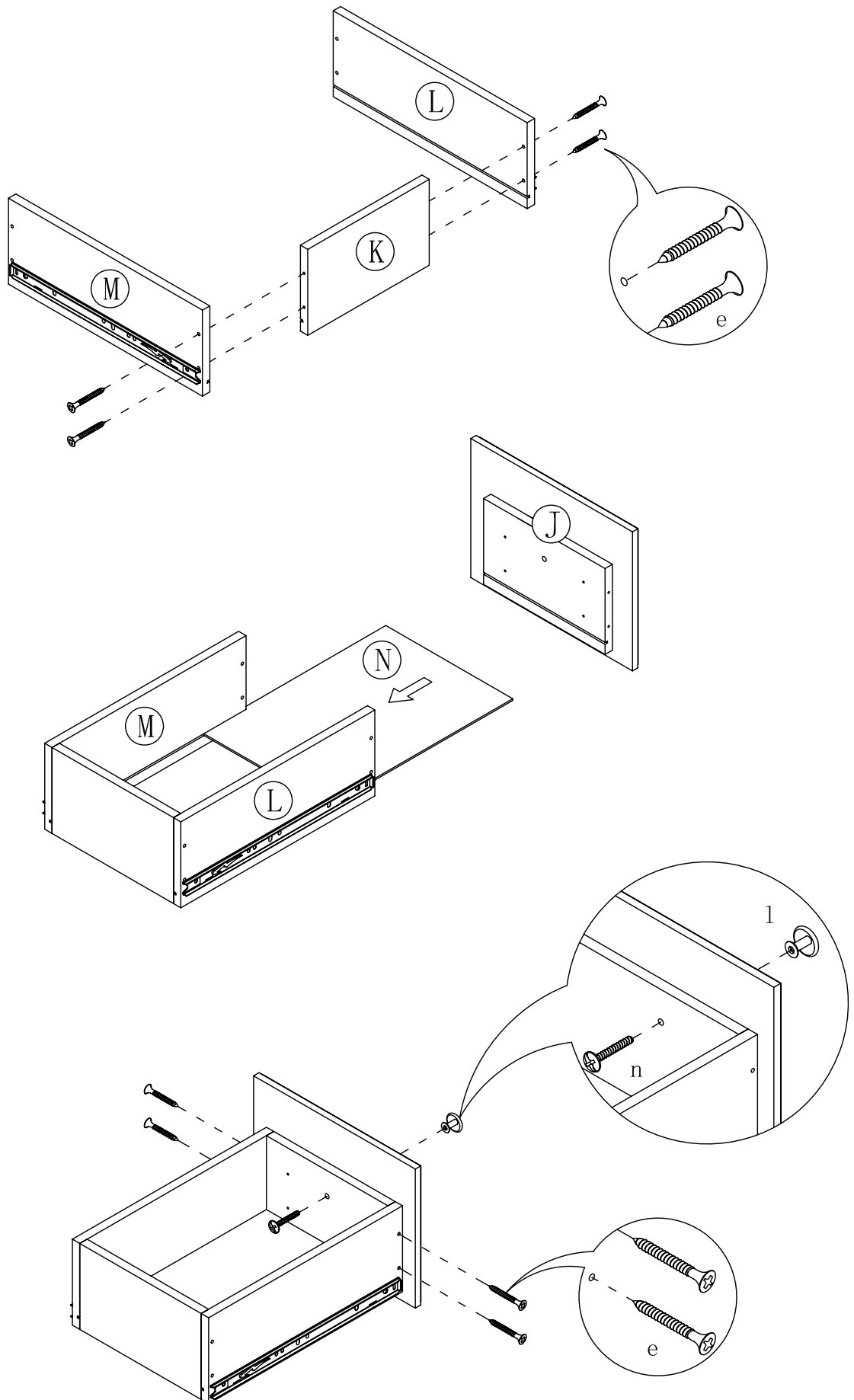
# STEP 6



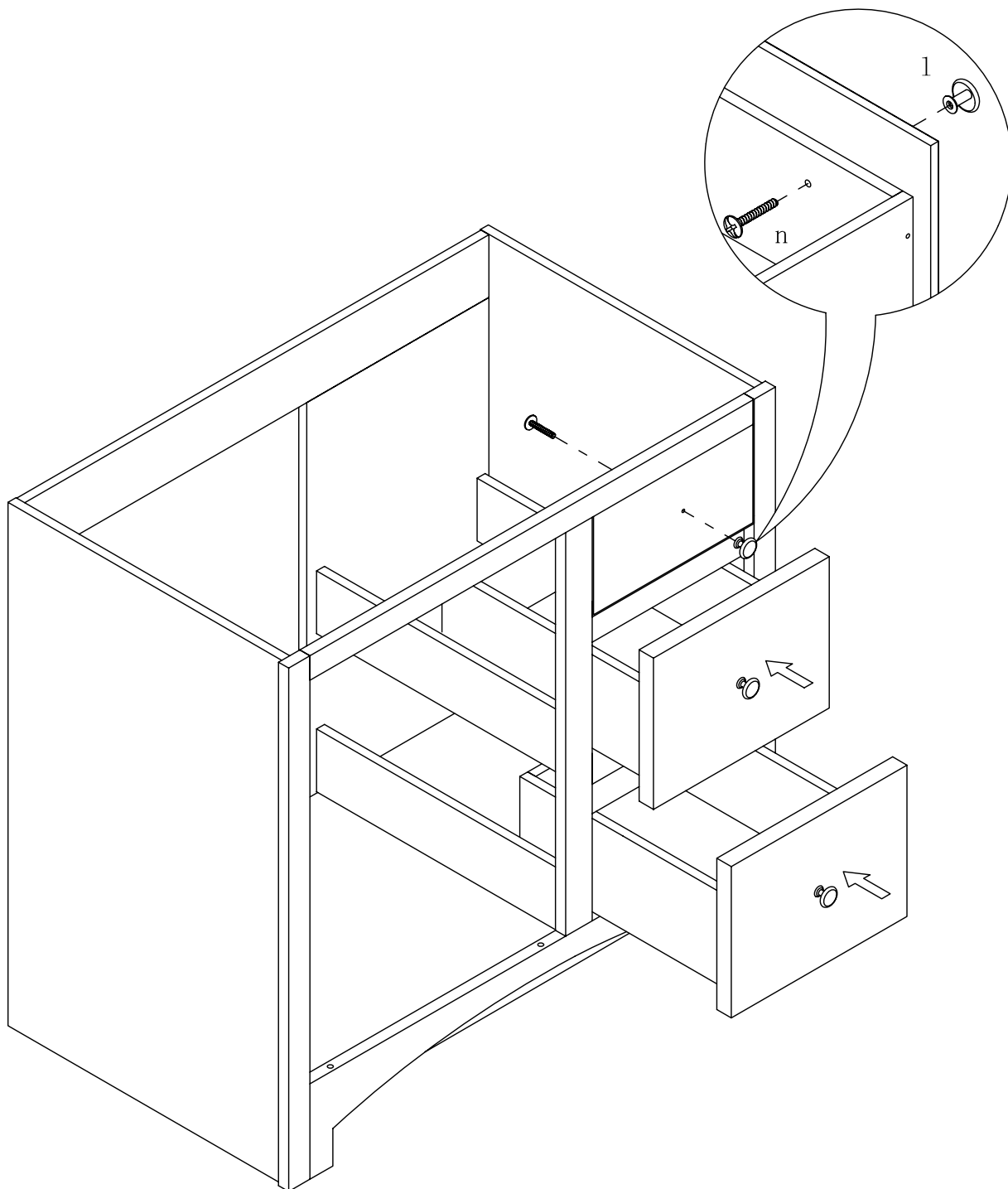
# STEP 7



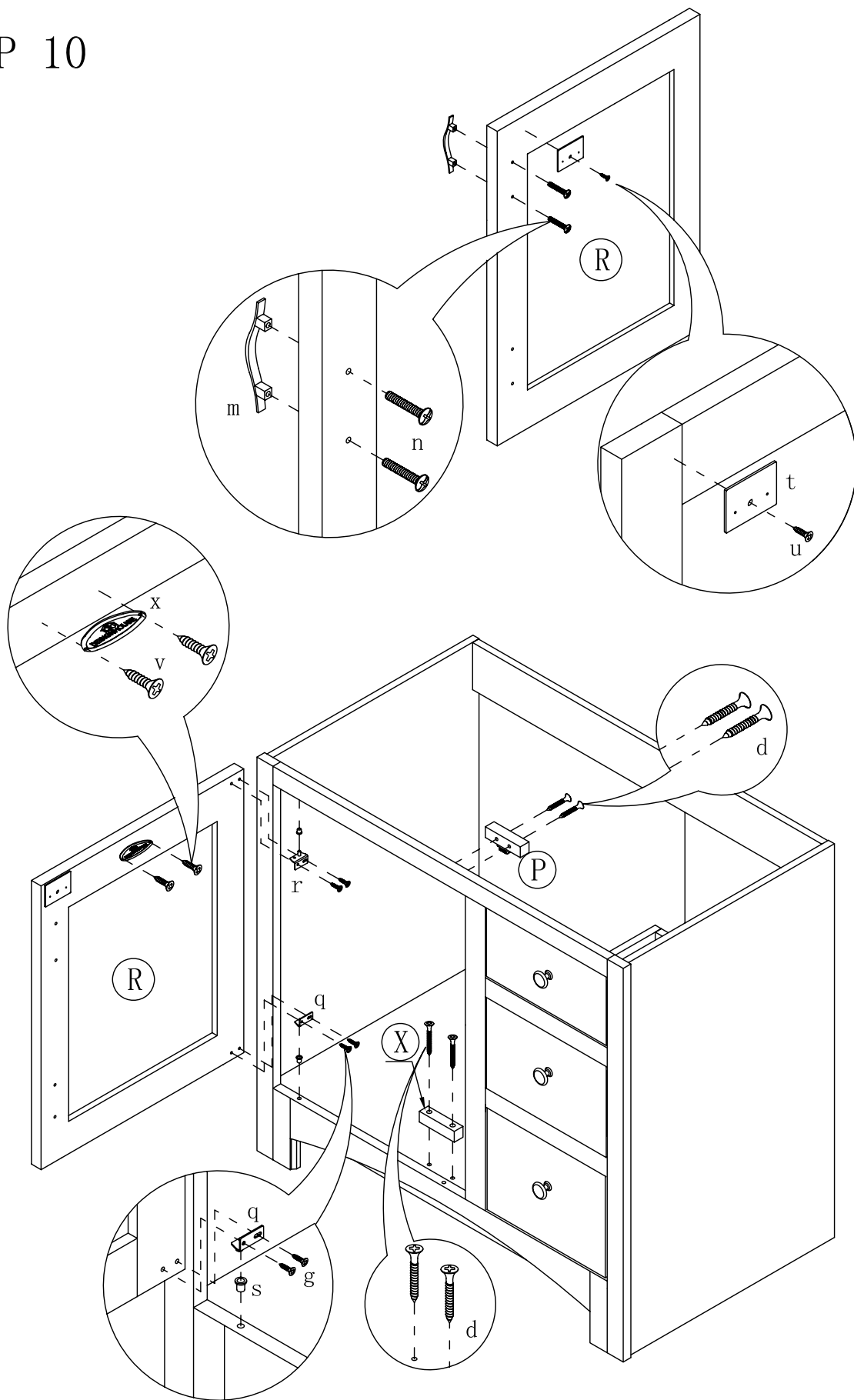
# STEP 8



# STEP 9

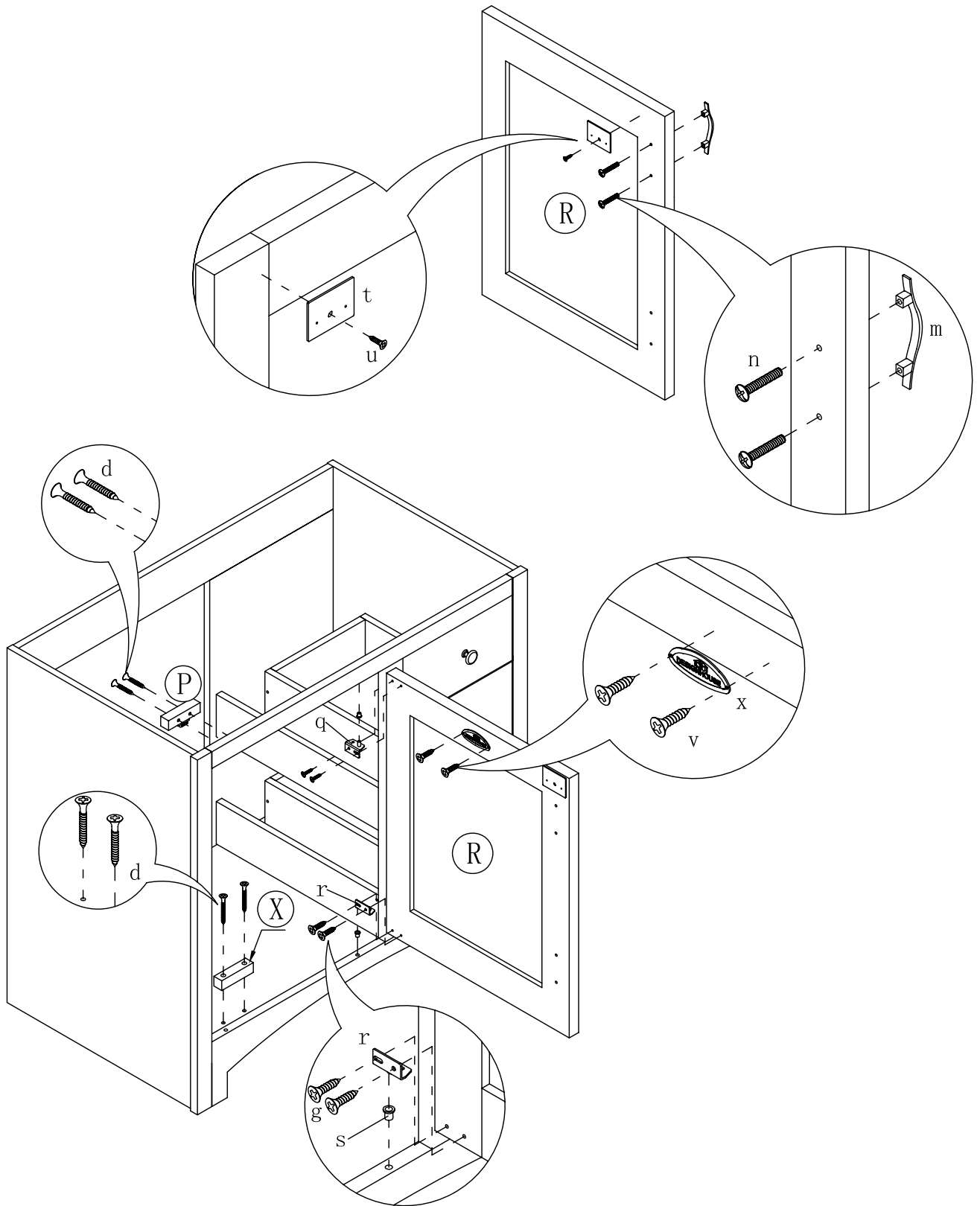


# STEP 10



PLEASE FOLLOW STEP 10 IF YOU WOULD LIKE THE DOOR OPEN FROM THE LEFT

# STEP 11



PLEASE FOLLOW STEP 11 IF YOU WOULD LIKE THE DOOR OPEN FROM THE RIGHT