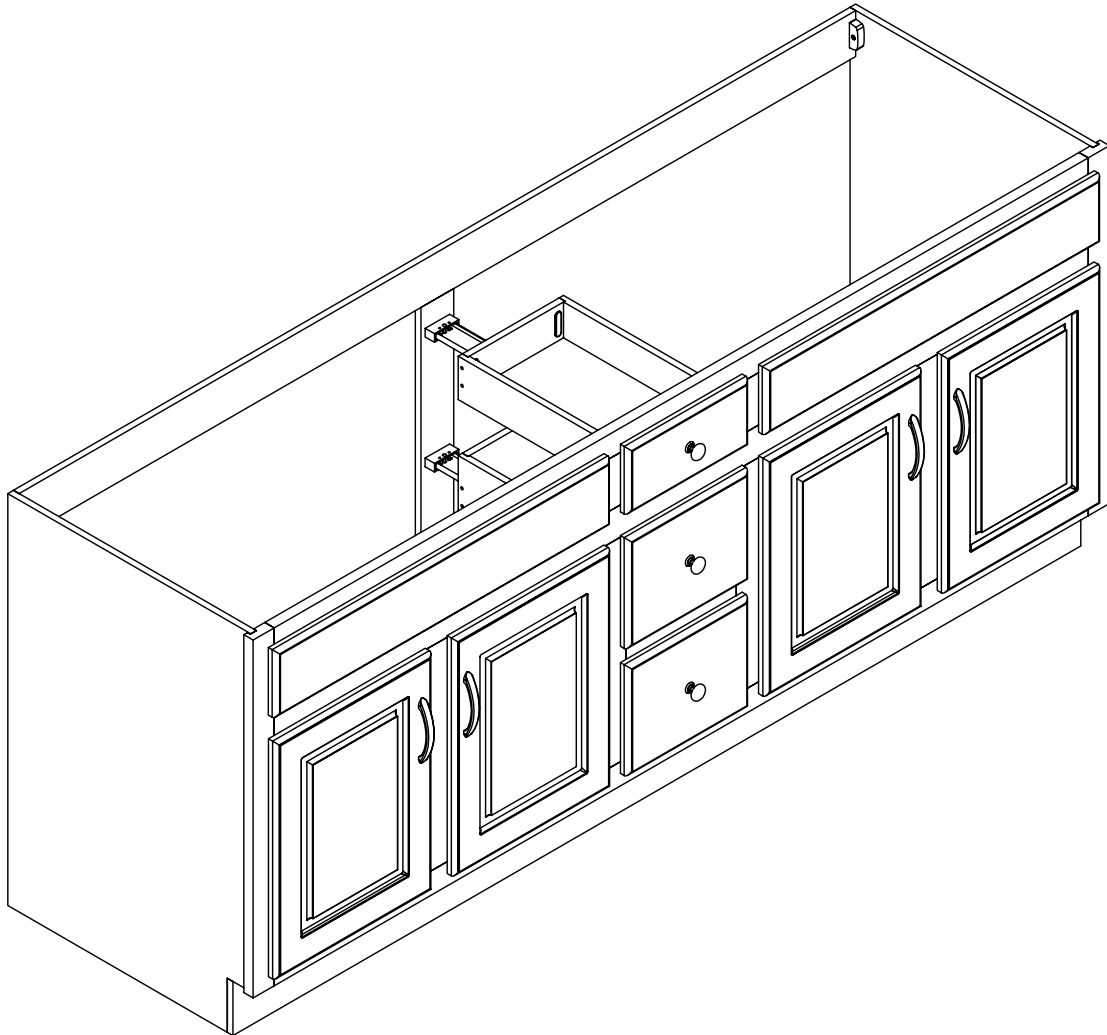




www.todaysdesignhouse.com

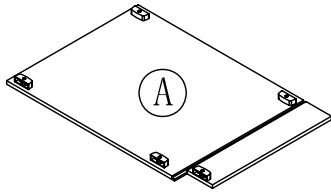


541086

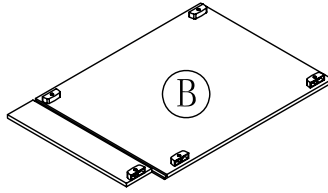
# ASSEMBLY INSTRUCTIONS

DHI Corp. • 5205 W. Donges Bay Rd. • Mequon, WI 53092 • 800.558.8700

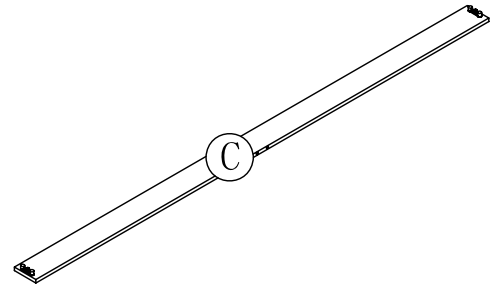
# PARTS LIST:



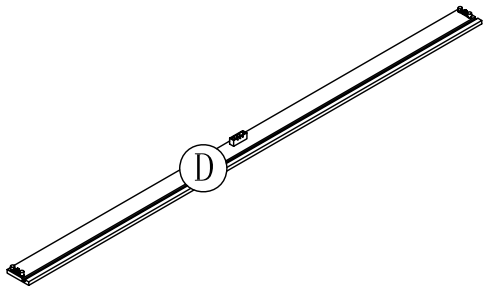
LEFT SIDE PANEL 1PC



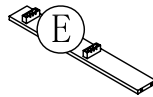
RIGHT SIDE PANEL 1PC



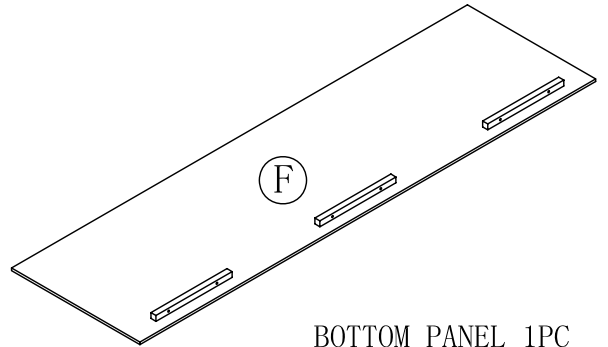
BACK UP CROSS BRACE 1PC



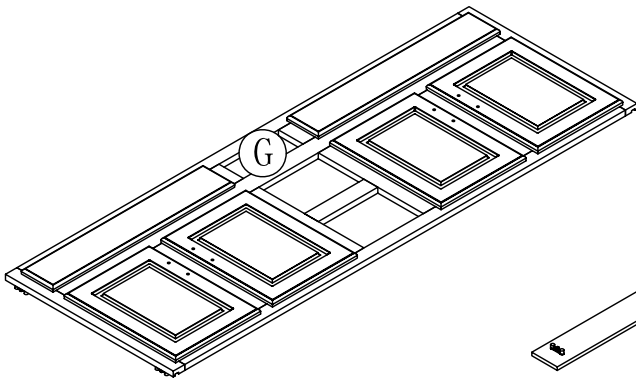
BACK DOWN CROSS BRACE 1PC



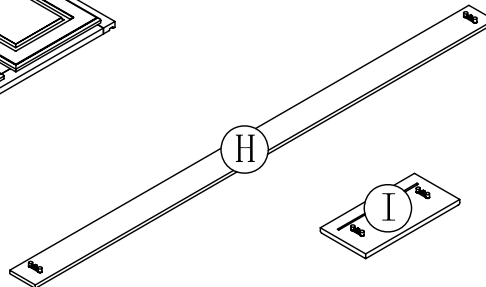
BACK PARTITION PANEL 1PC



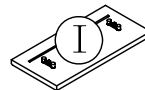
BOTTOM PANEL 1PC



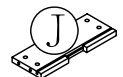
FRONT FRAME 1PC



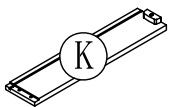
TOE KICK PANEL 1PC



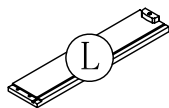
SMALL DRAWER FRONT PANEL 1PC



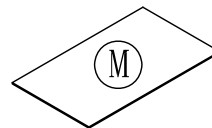
SMALL DRAWER BACK PANEL 1PC



SMALL DRAWER LEFT SIDE PANEL 1PC



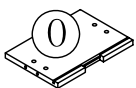
SMALL DRAWER RIGHT SIDE PANEL 1PC



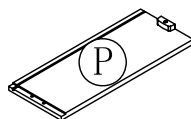
DRAWER BOTTOM PANEL 3PCS



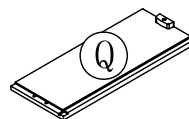
BIG DRAWER FRONT PANEL 2PCS



BIG DRAWER BACK PANEL 2PCS

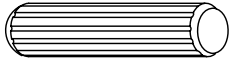


BIG DRAWER LEFT SIDE PANEL 2PCS

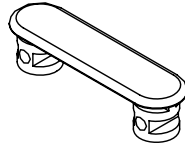


BIG DRAWER RIGHT SIDE PANEL 2PCS

# HARDWARE LIST:



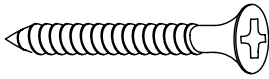
a. WOOD DOWEL 4PCS



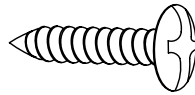
b. PLASTIC ANCHORS 6PCS



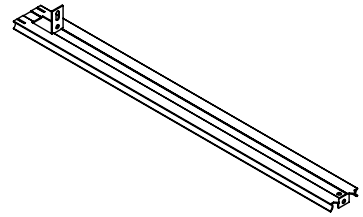
d. 1" L FLAT HEAD SCREW 6PCS



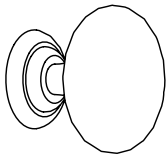
e. 1-1/4" L FLAT HEAD SCREW 12PCS



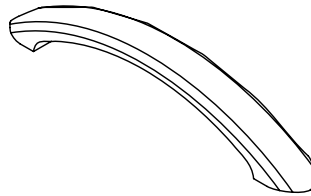
g. ROUND HEAD SCREW (FOR DRAWER GUIDE) 9PCS



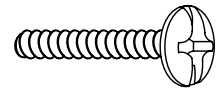
i. DRAWER GUIDE (1) 3PCS



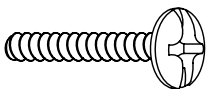
l. KNOB 3PCS



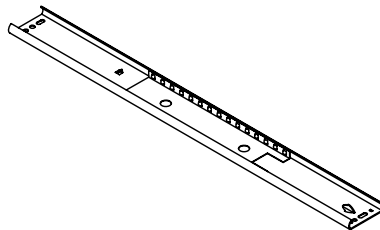
m. HANDLE 4PCS



n. 1" L KNOB BOLT 3PCS

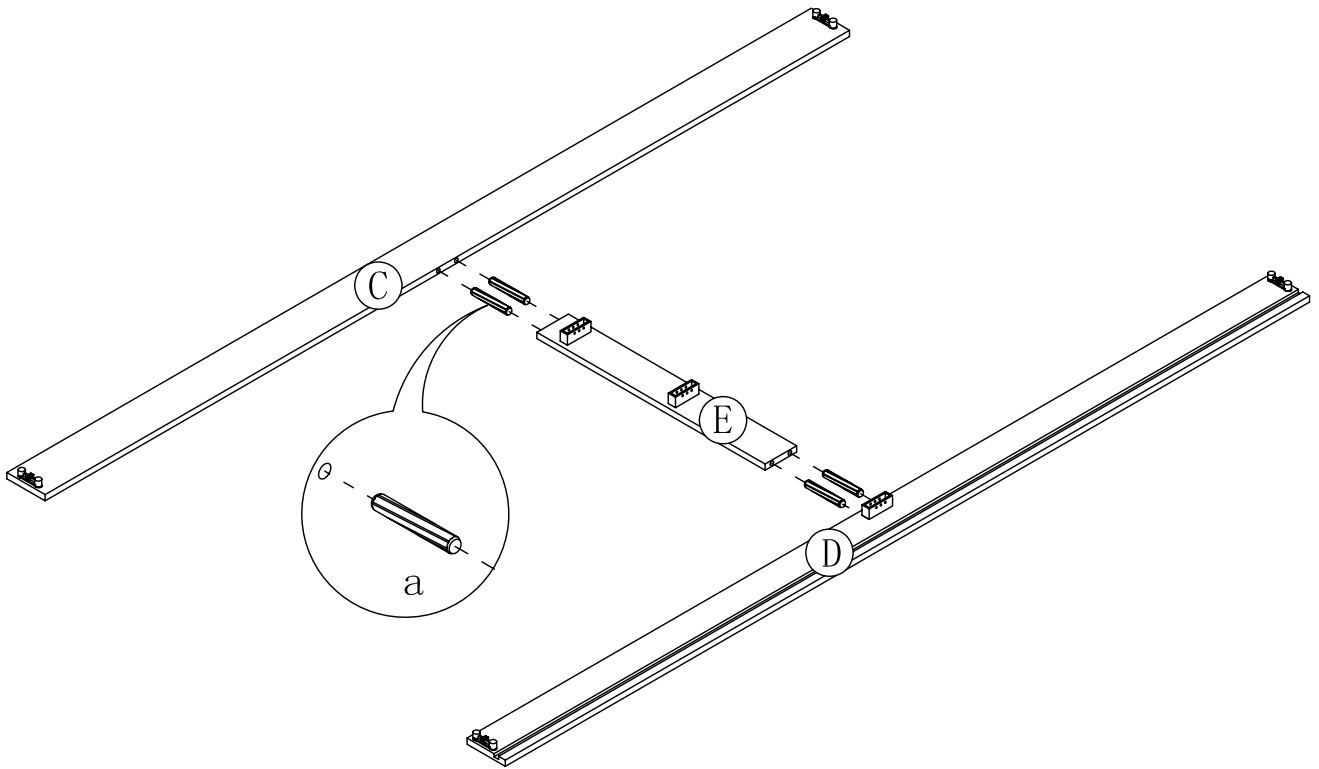


o. 7/8" L HANDLE BOLT 8PCS

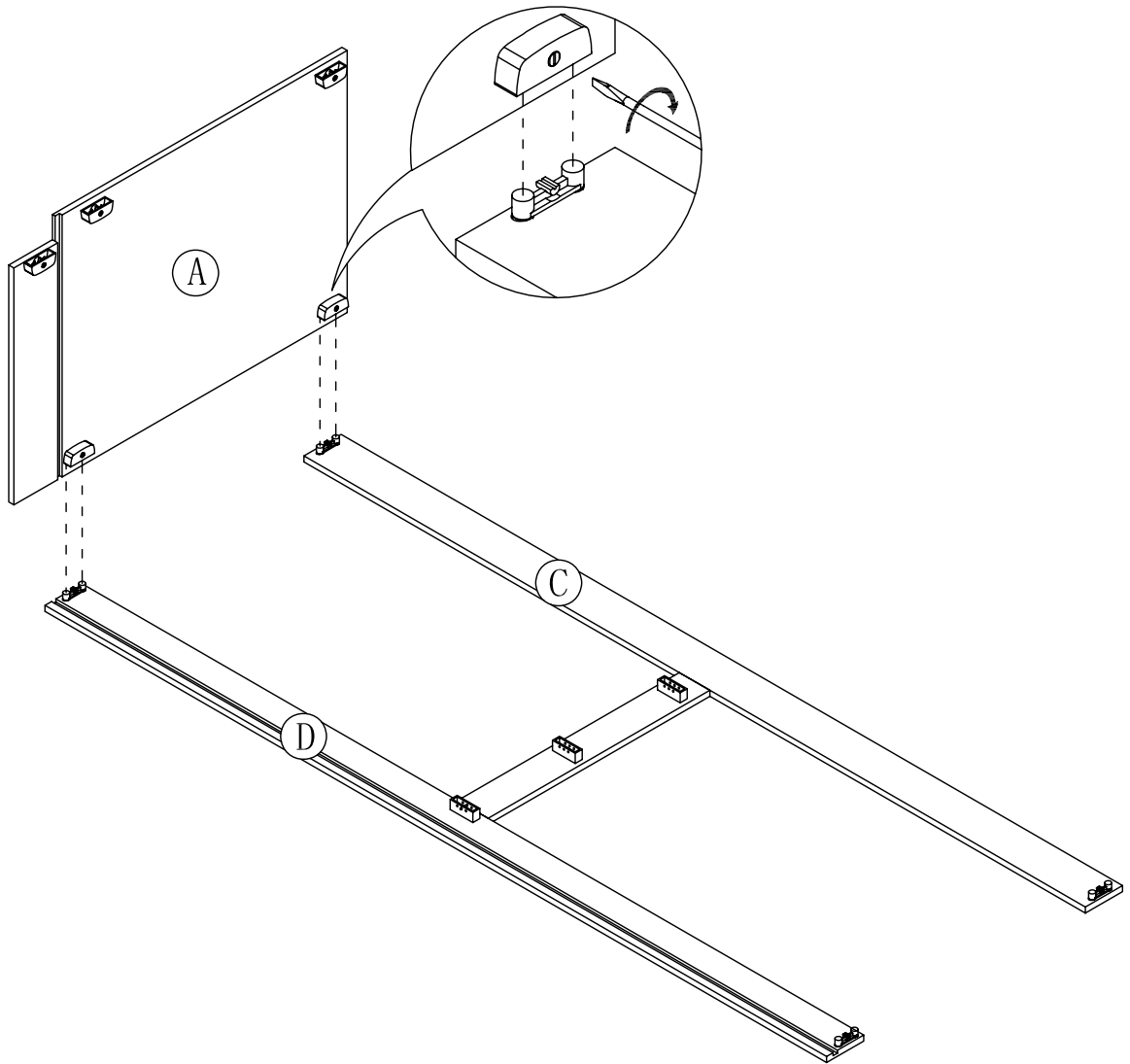


y. DRAWER GUIDE (2) 3PCS

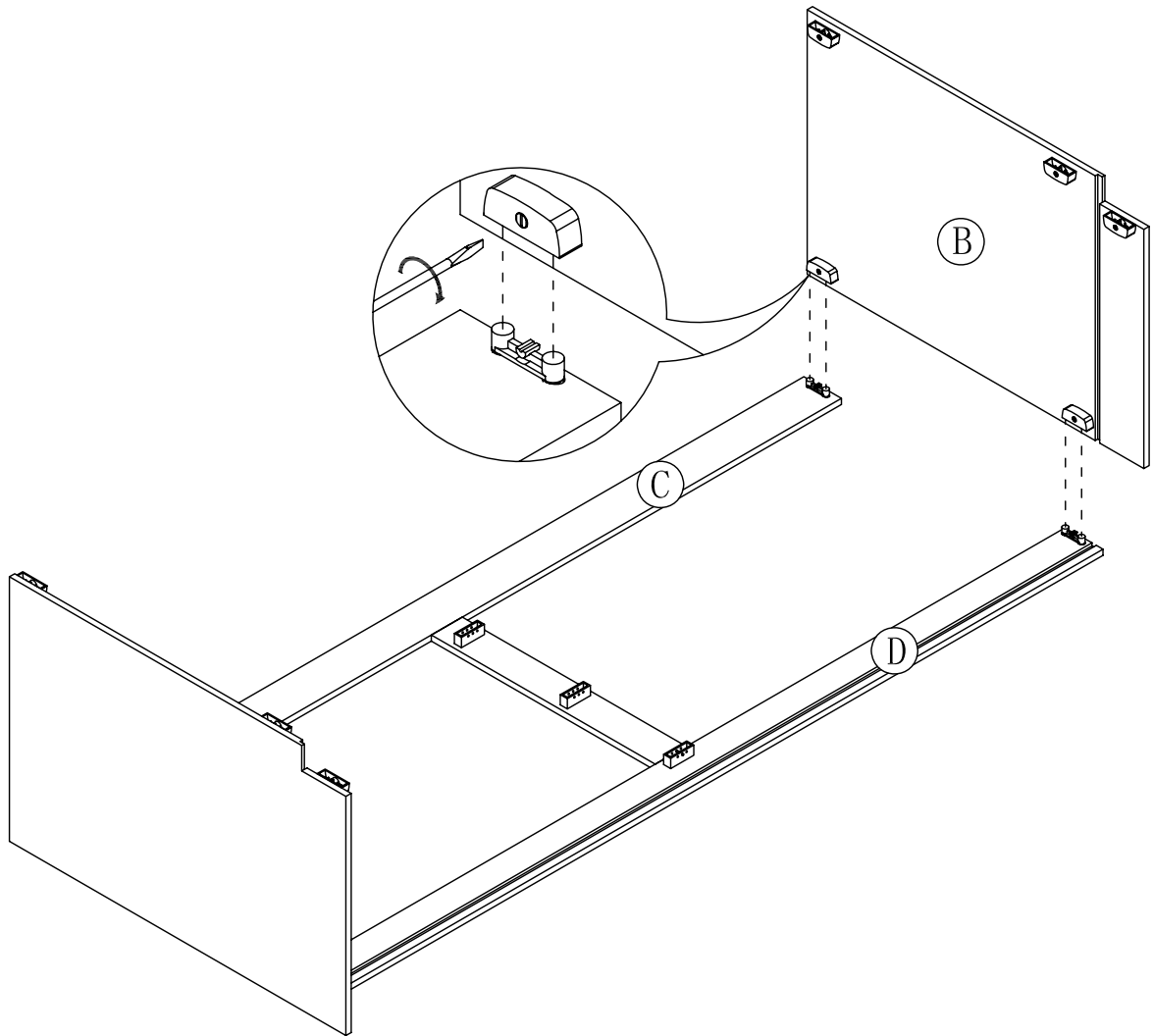
# STEP 1



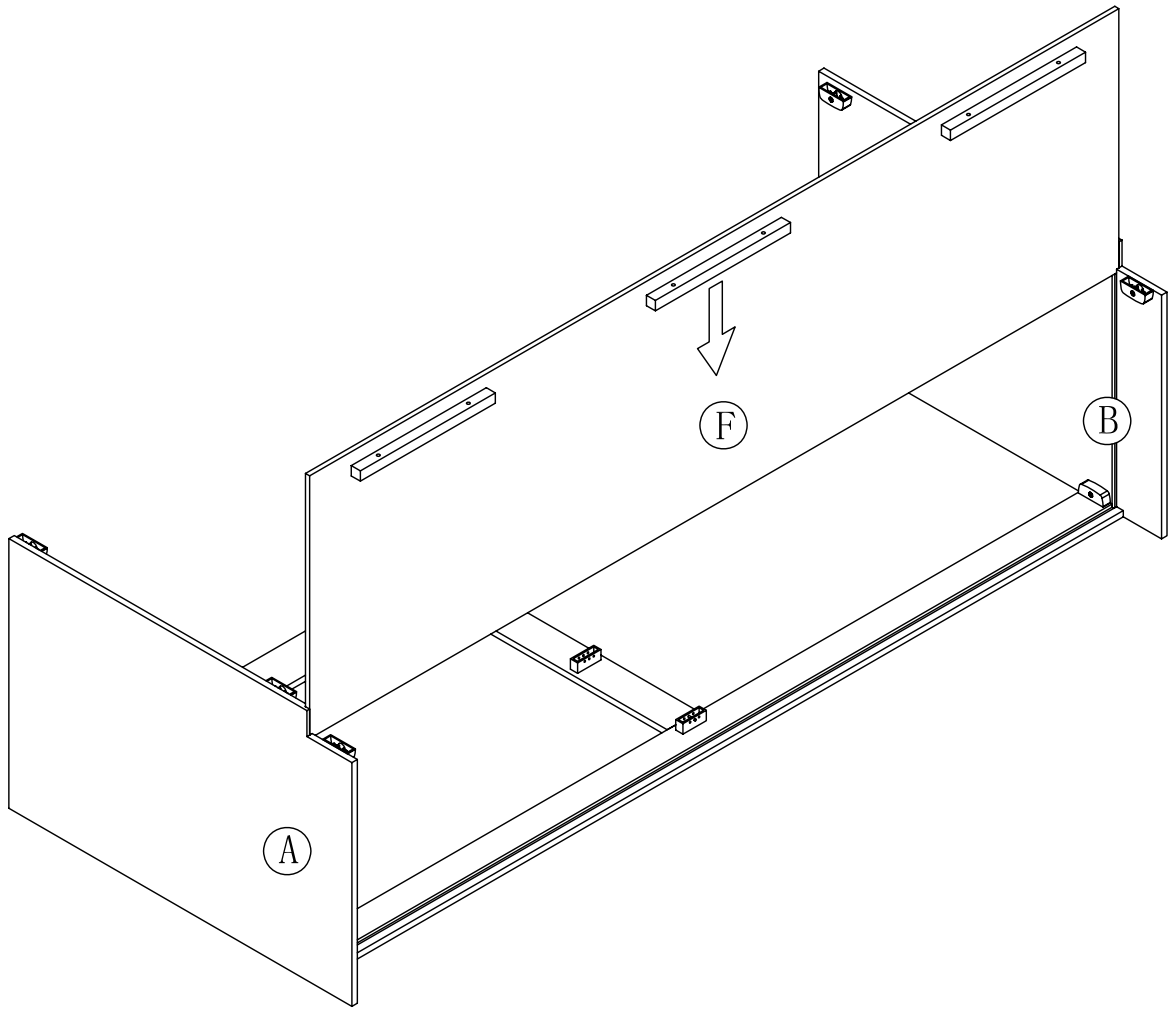
# STEP 2



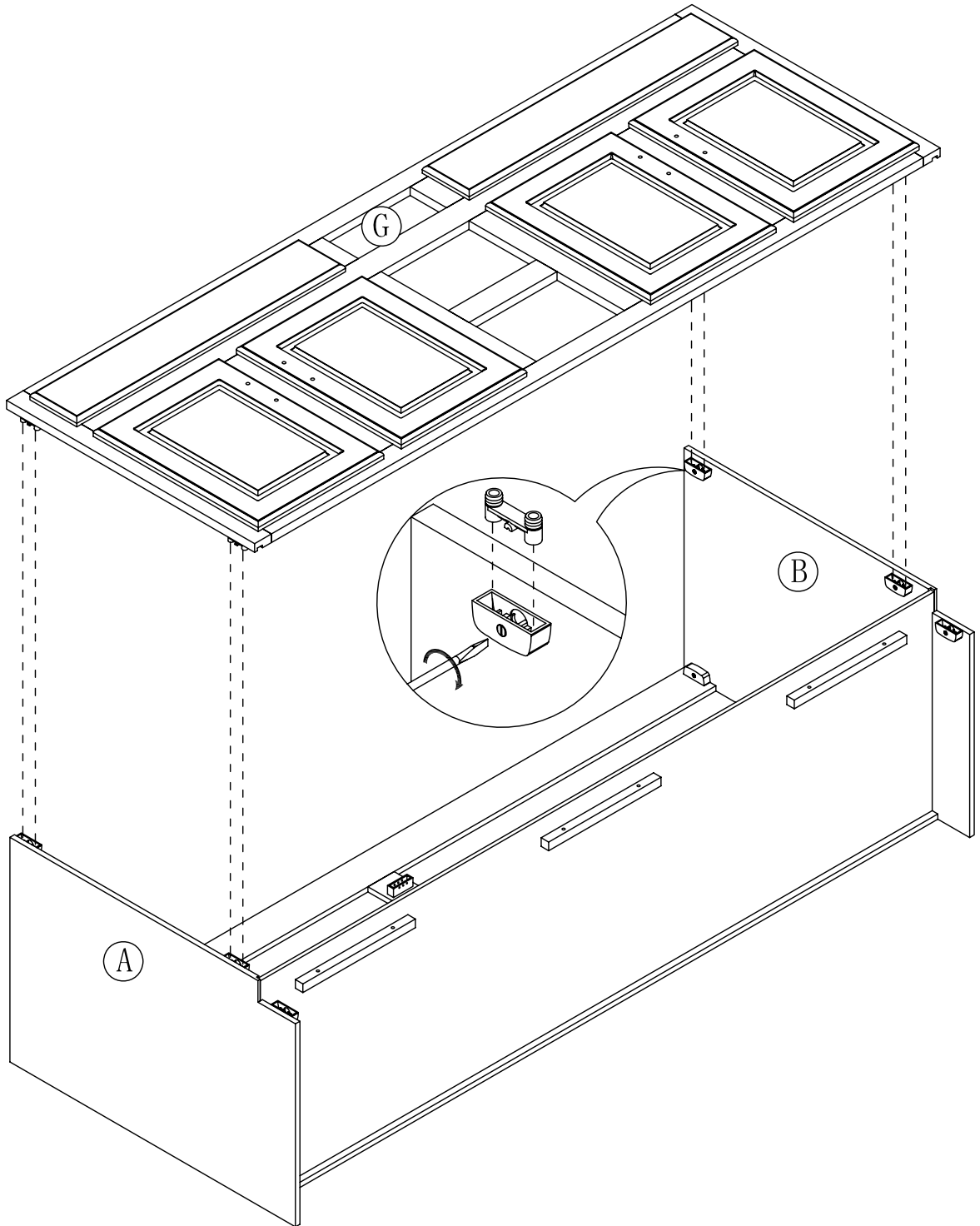
# STEP 3



# STEP 4

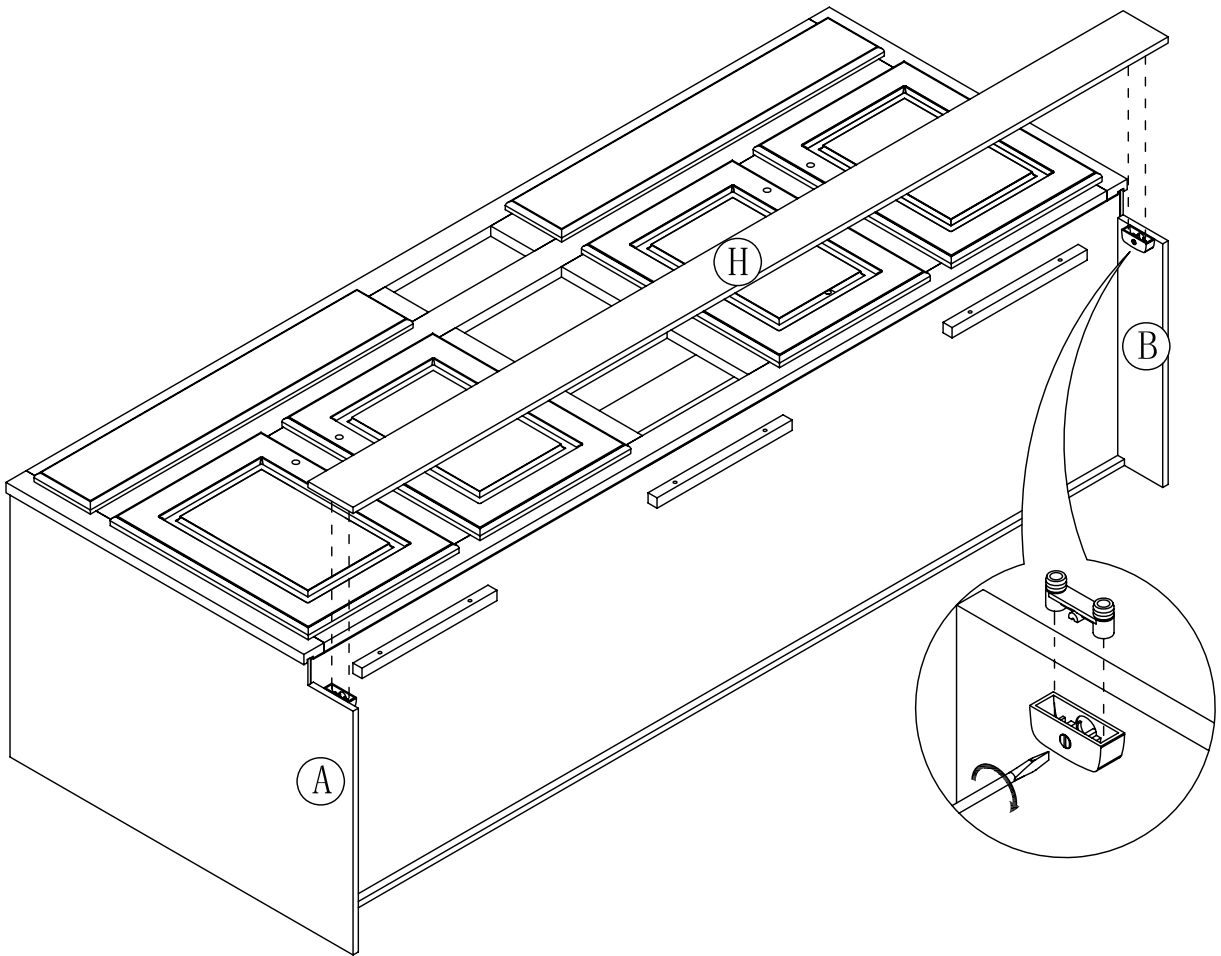


# STEP 5

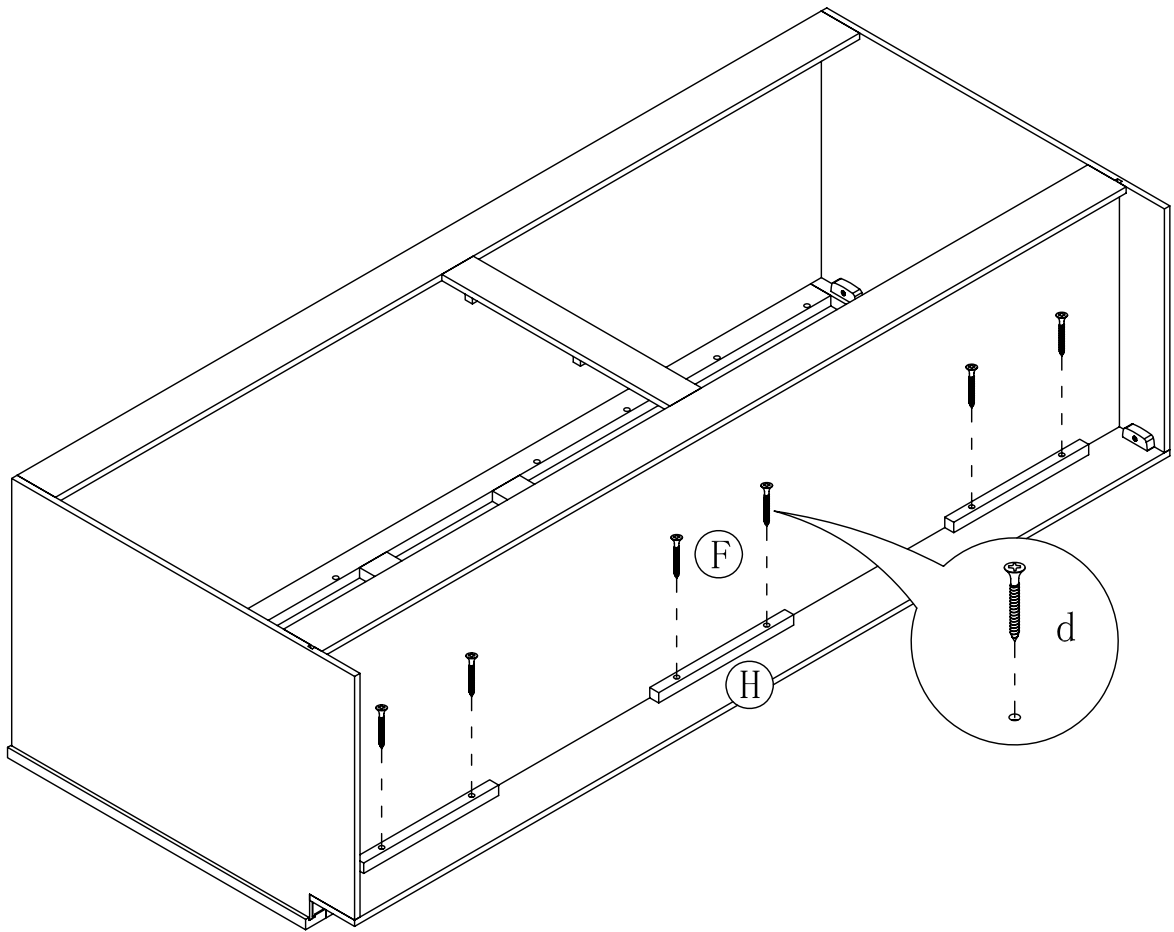




# STEP 6

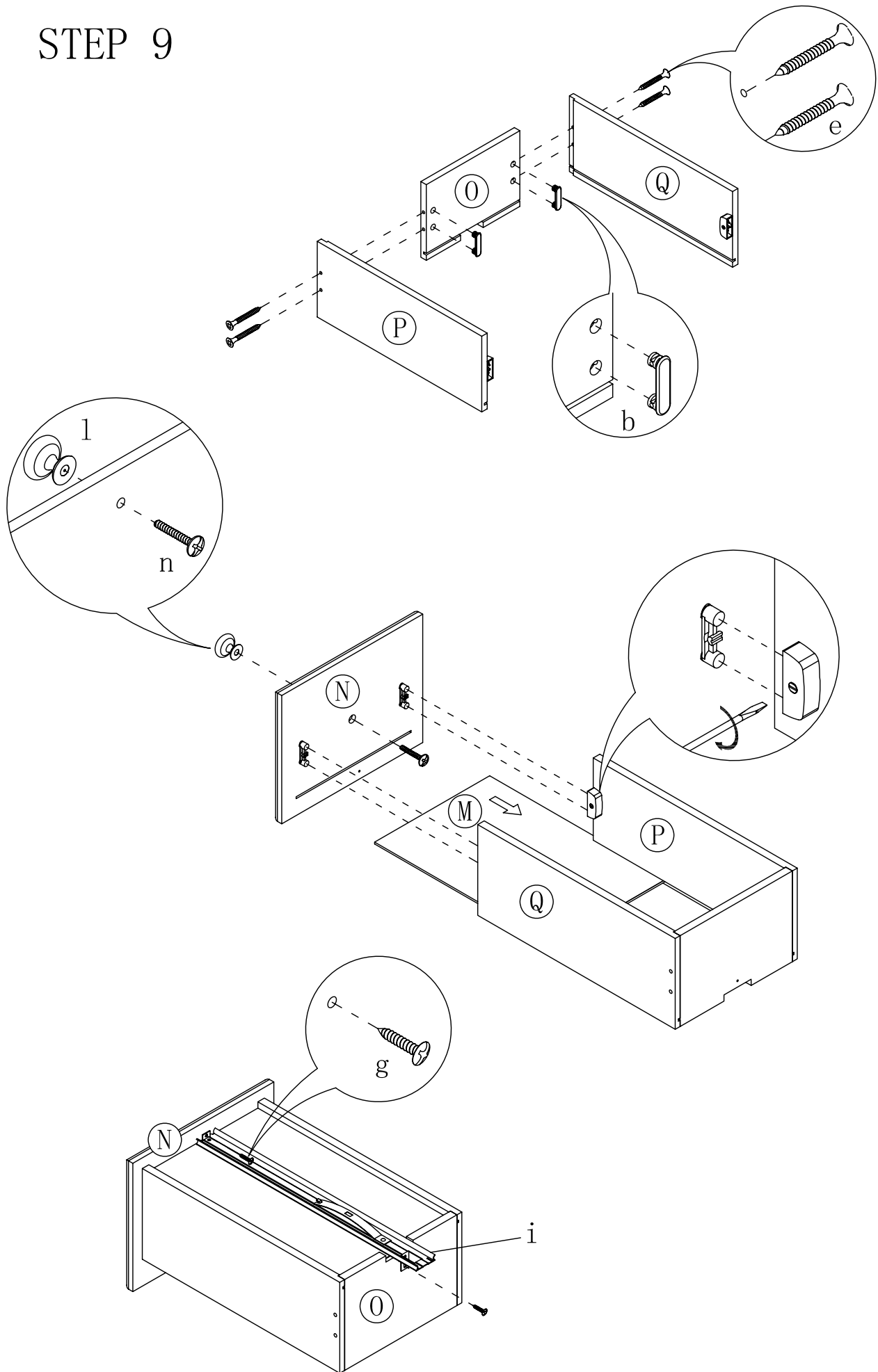


# STEP 7

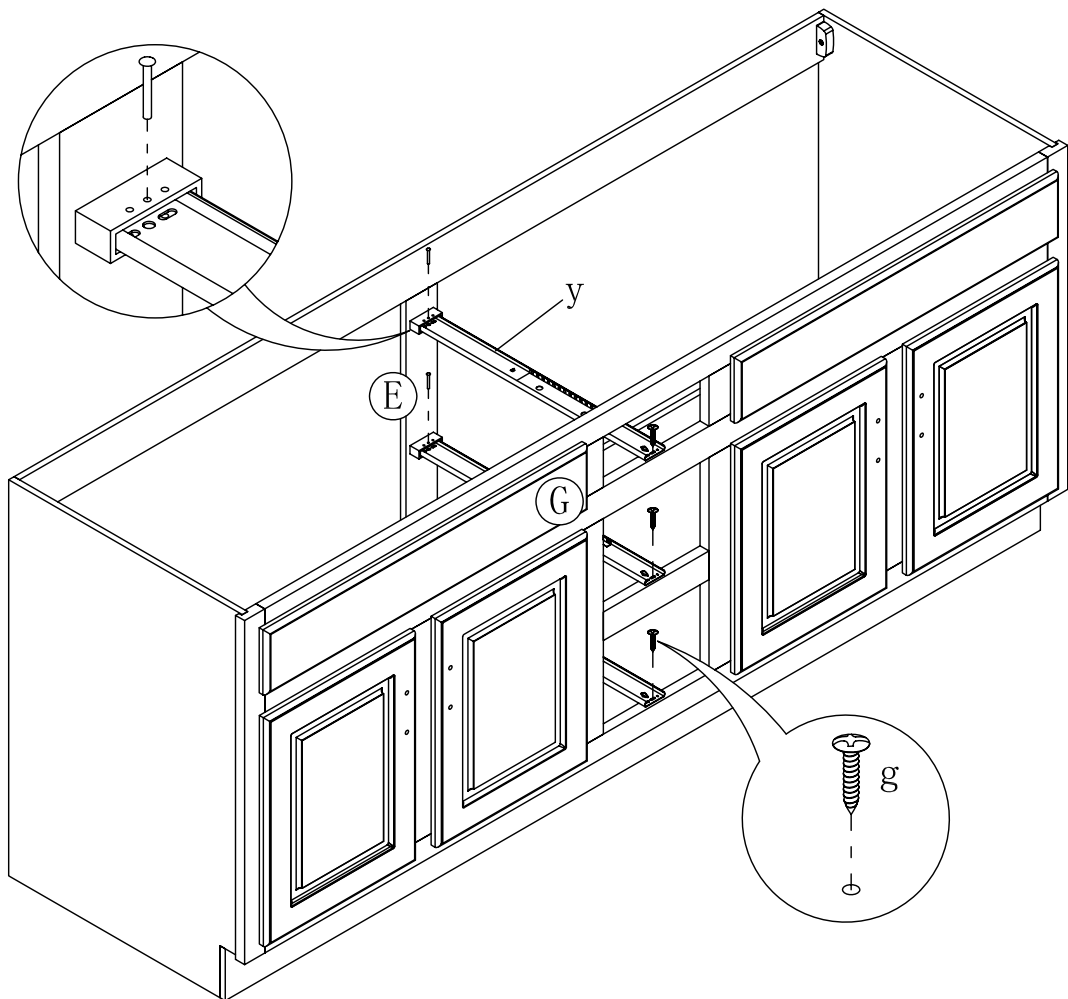




# STEP 9



# STEP 10



# STEP 11

