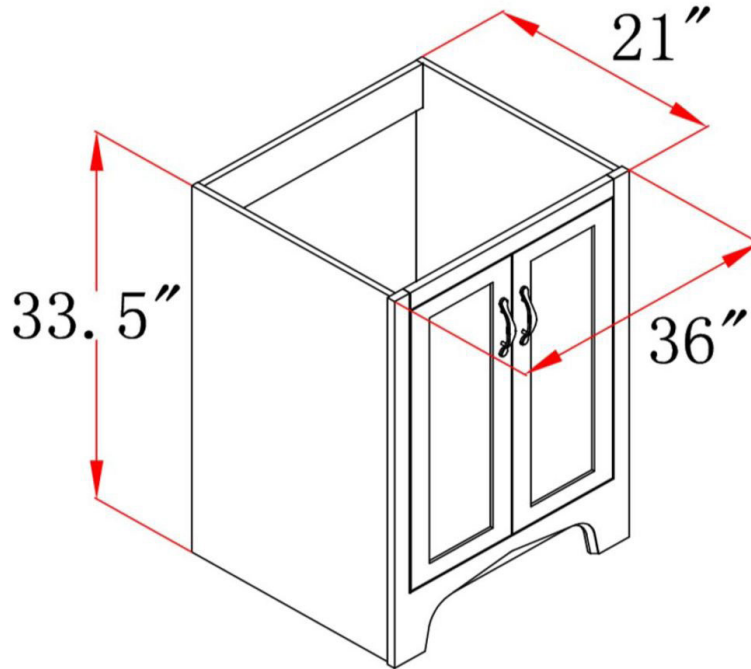


Ventura 2 Door Ready-To-Assemble Vanity 36x22  
Espresso



SPECIFICATIONS

MATERIAL CONSTRUCTION:	Wood	FRAME STYLE:	N/A
ASSEMBLY REQUIRED:	Yes	FACE FRAME MATERIAL:	Pine
TOOLS NEEDED FOR ASSEMBLY:	Screwdriver	SIDES MATERIAL:	Particle Board
ASSEMBLED DIMENSIONS:	33.5" H x 36" L x 21" D	BOTTOM MATERIAL:	Particle Board
ASSEMBLED WEIGHT:	56 lbs.	TOE KICK INSET WIDTH:	6.1"
HINGE STYLE:	Concealed	BACK PANEL MATERIAL:	N/A
DOOR STYLE:	2 Shaker Pine+MDF Doors, reversible	BACK BRACE MATERIAL:	Particle Board
DRAWER STYLE:	N/A		
GLIDE STYLE:	N/A		
FAKE DWR STYLE:	N/A		
DWR #1 DIMENSIONS:	N/A		
DWR CONSTRUCTION:	N/A		
SHELF STYLE:	N/A		
SHELF ADJUSTABILITY INCREMENTS:	N/A		
SHELF MAX WEIGHT CAPACITY:	N/A		
SHELF DIMENSIONS:	N/A		
SHELF THICKNESS:	N/A		
SHELF MATERIAL:	N/A		



WARRANTY: 1-Year limited warranty  
 CARB COMPLIANT: CARB Phase 2  
 TITLE IV COMPLIANT: Yes



TYPE:  
 JOB:  
 ORDER CODE:  
 APPROVALS: