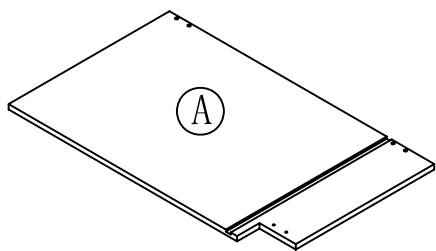


540740

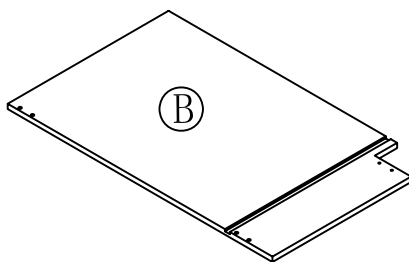
# ASSEMBLY INSTRUCTIONS

DHI Corp. • 5205 W. Donges Bay Rd. • Mequon, WI 53092 • 800.558.8700

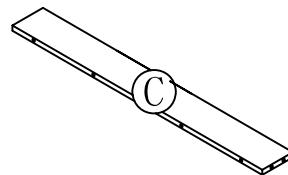
# PARTS LIST:



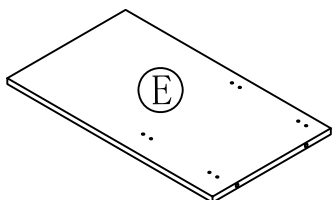
LEFT SIDE PANEL 1PC



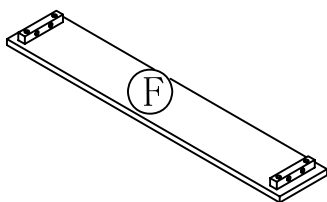
RIGHT SIDE PANEL 1PC



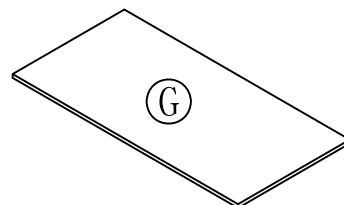
BACK CROSS BRACE 2PCS



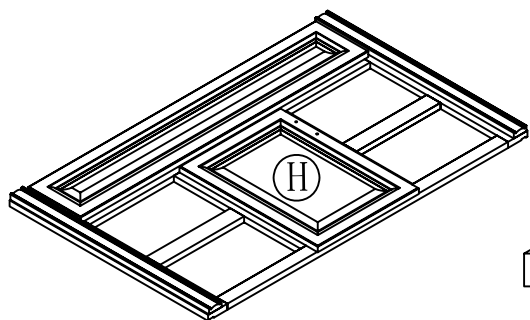
BACK PARTITION  
PANEL 2PCS



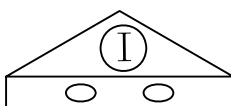
TOE KICK  
PANEL 1PC



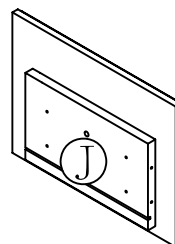
BOTTOM PANEL 1PC



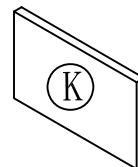
FRONT FRAME 1PC



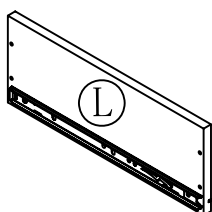
STRENGTH BLOCK  
8PCS



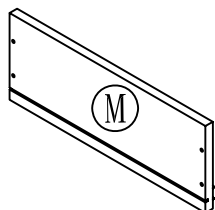
DRAWER FRONT  
PANEL 4PCS



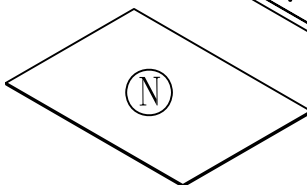
DRAWER BACK  
PANEL 4PCS



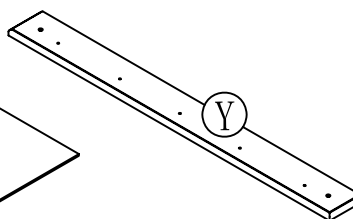
DRAWER LEFT  
SIDE PANEL 4PCS



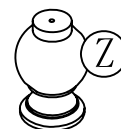
DRAWER RIGHT SIDE  
PANEL 4PCS



DRAWER BOTTOM  
PANEL 4PCS



FRONT CROSS  
BRACE 1PC



FOOT 2PCS

# HARDWARE LIST:



a. WOOD DOWEL 16PCS



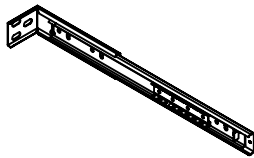
d. 1" FLAT HEAD SCREW 25PCS



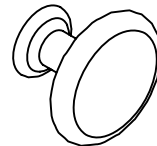
e. 1-1/2" FLAT HEAD SCREW 34PCS



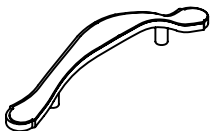
g. 1/2"L ROUND HEAD SCREW 32PCS



i. DRAWER GUIDE 8PCS



l. KNOB 4PCS



m. HANDLE 1PC

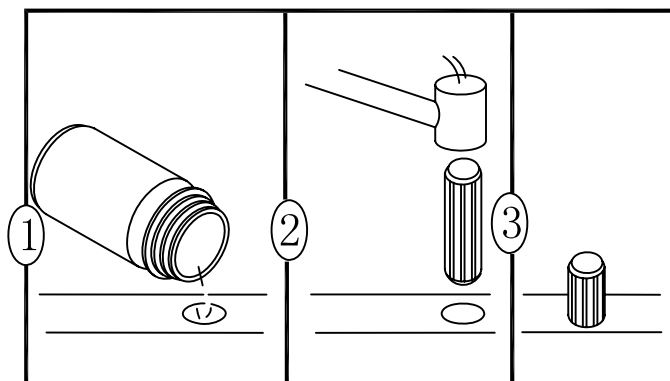
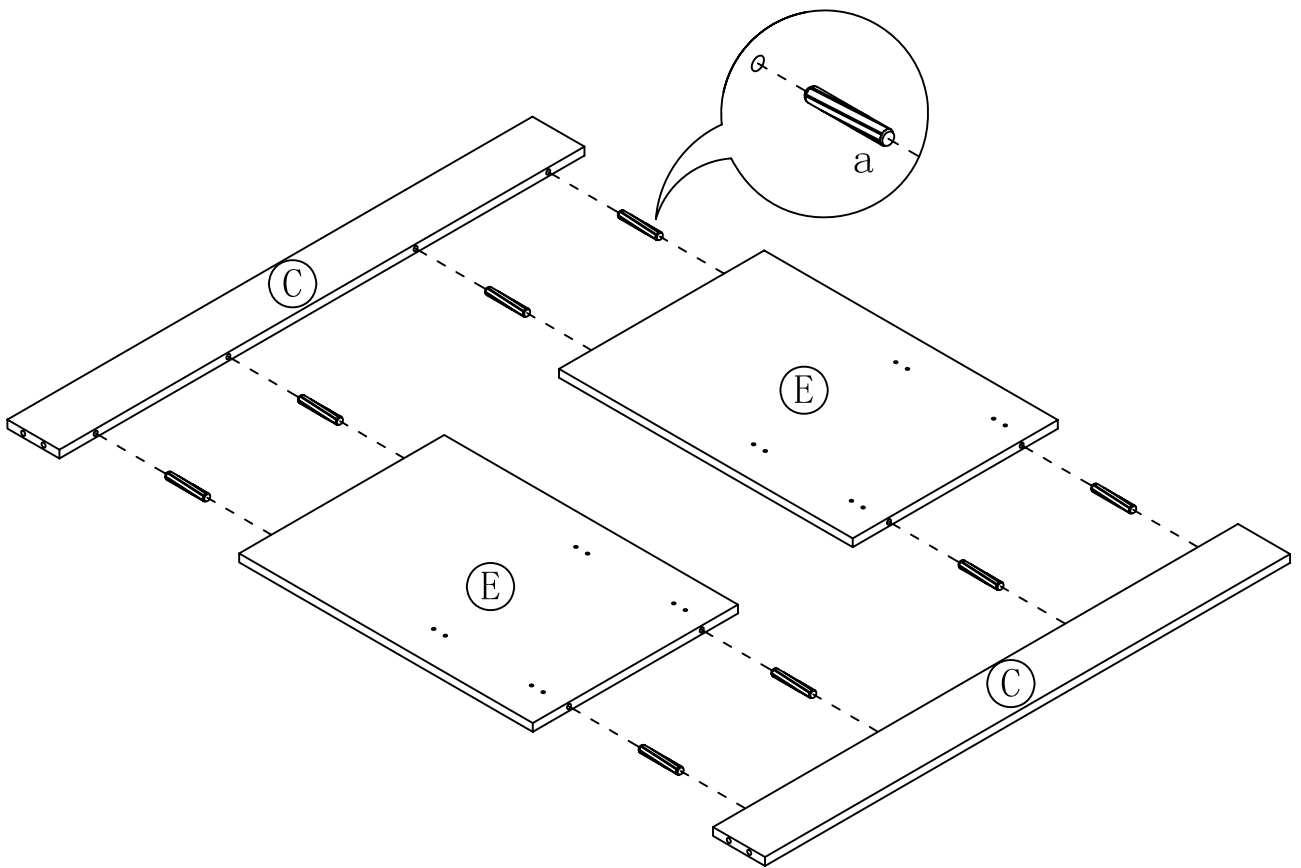


d. HANDLE (KNOB) BOLT 6PCS

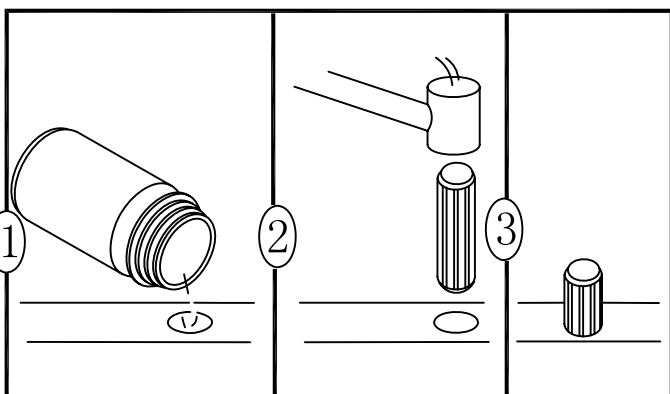
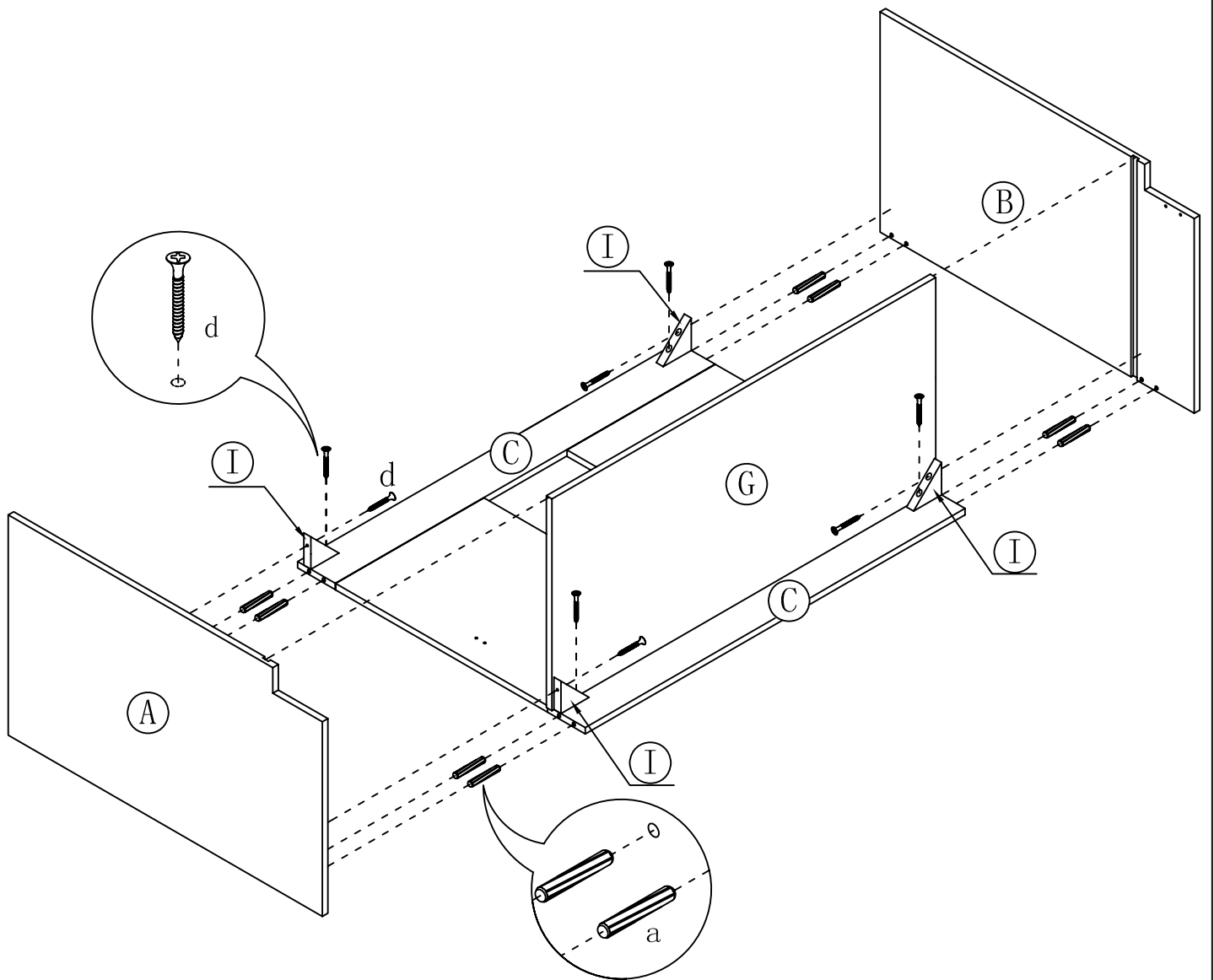


p. GLUE 1PC

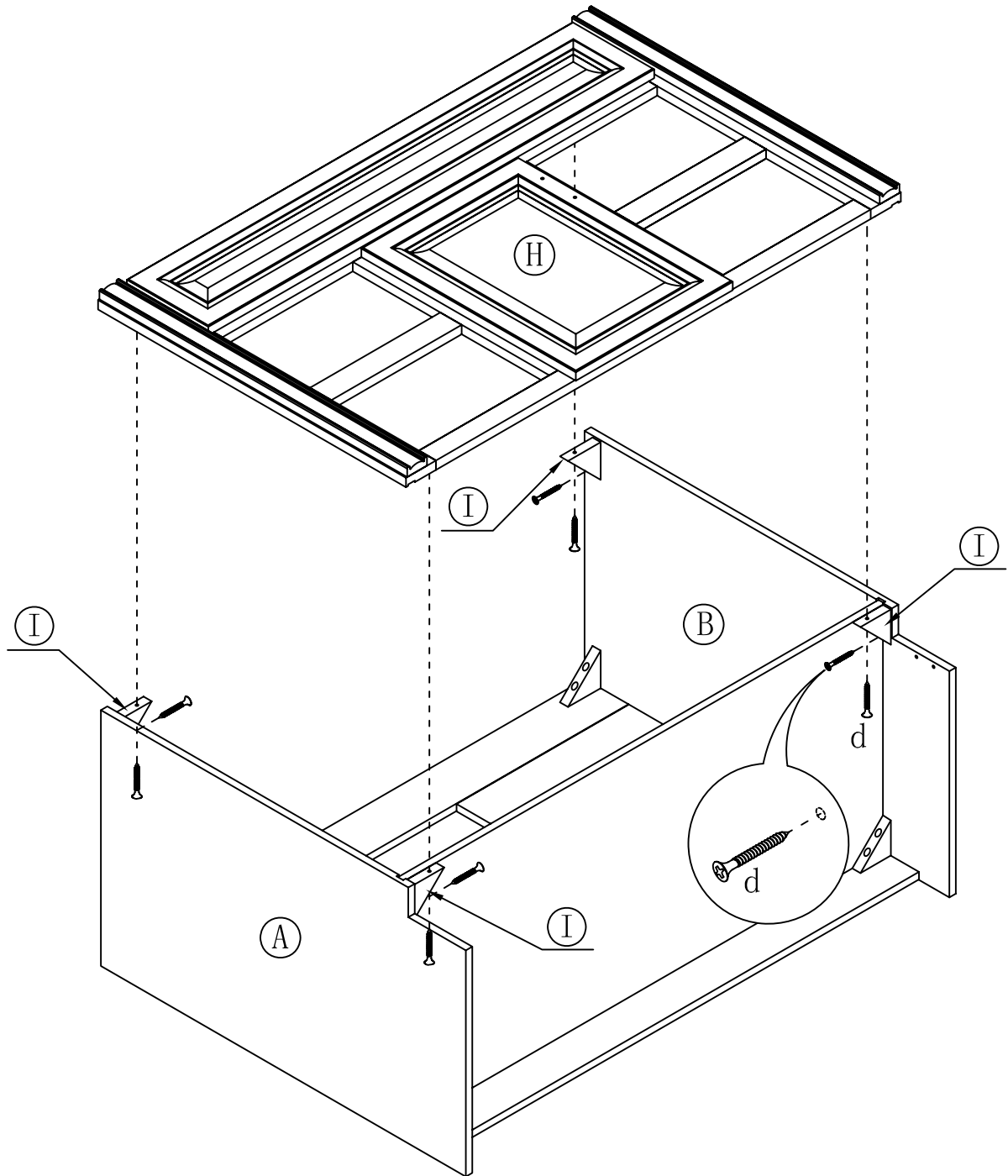
# STEP 1



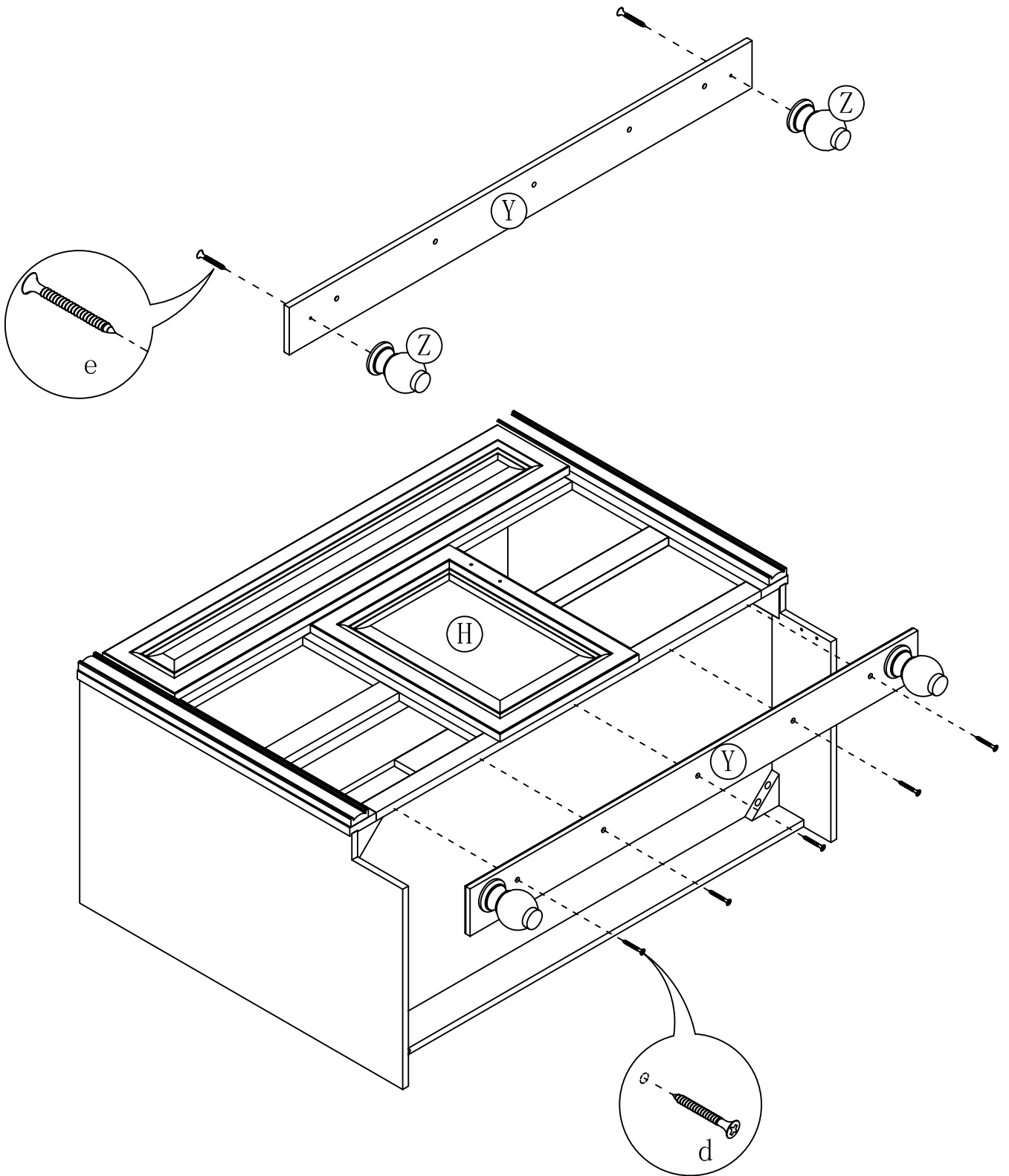
# STEP 2



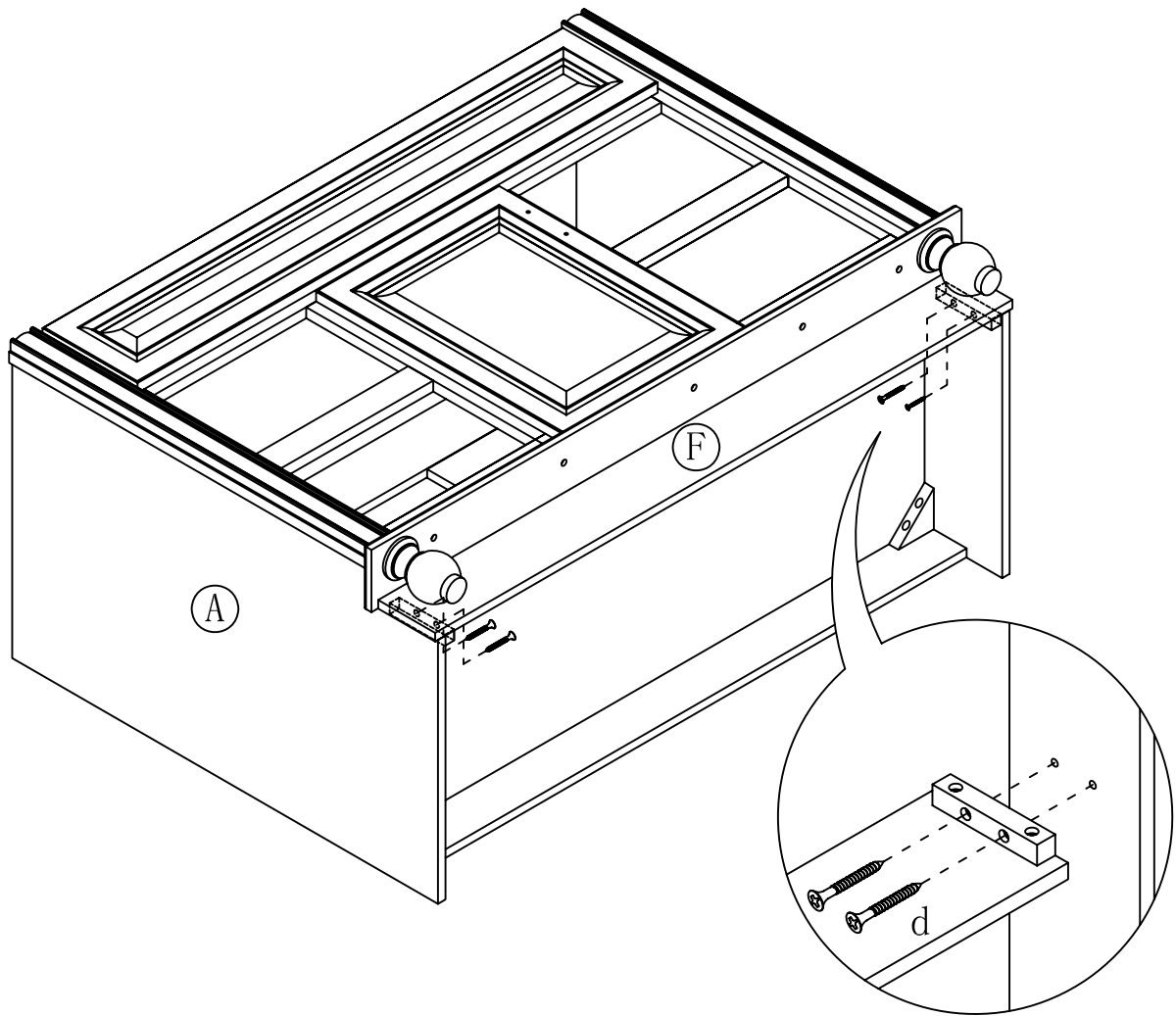
# STEP 3



# STEP 4

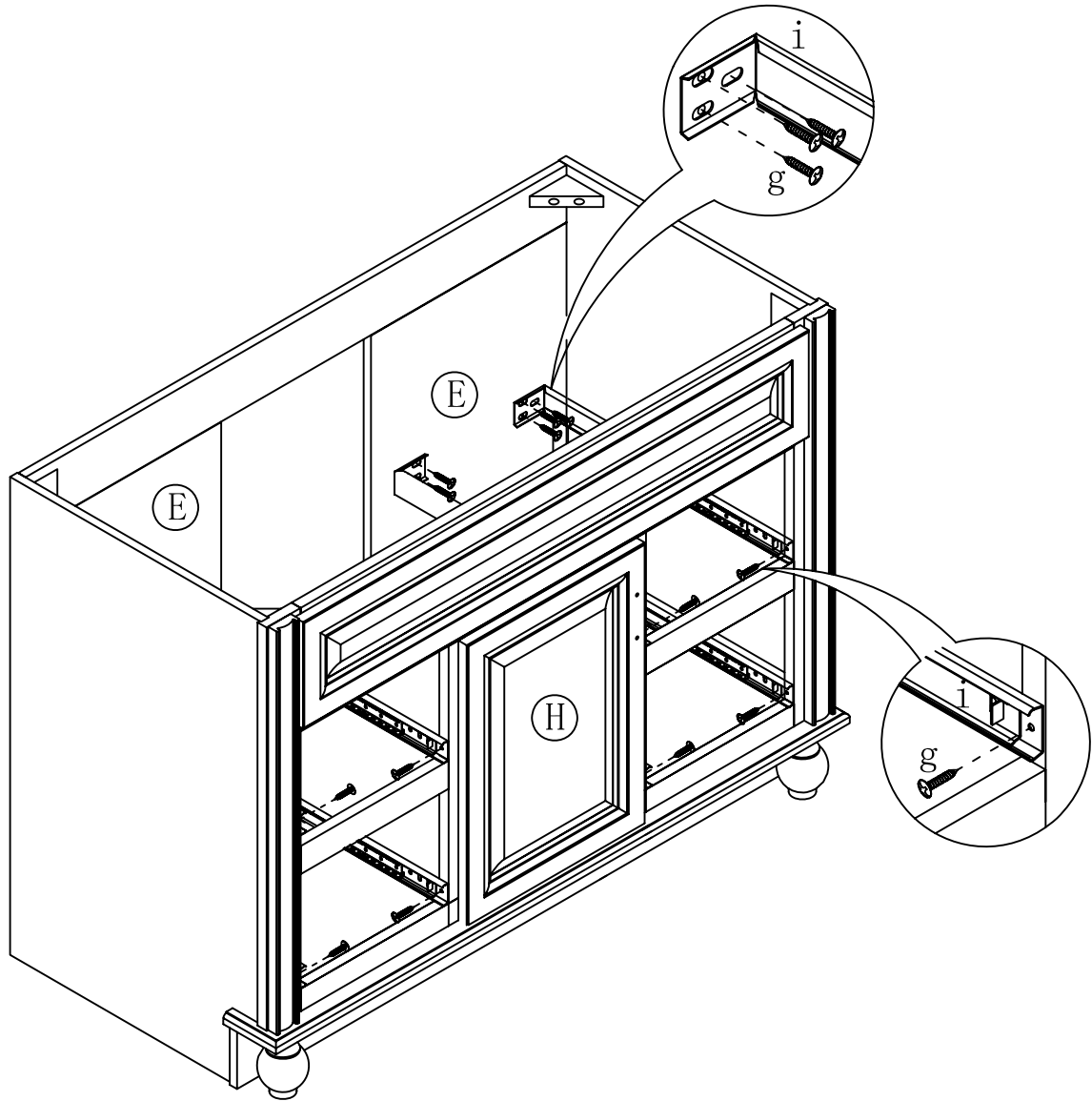


# STEP 5

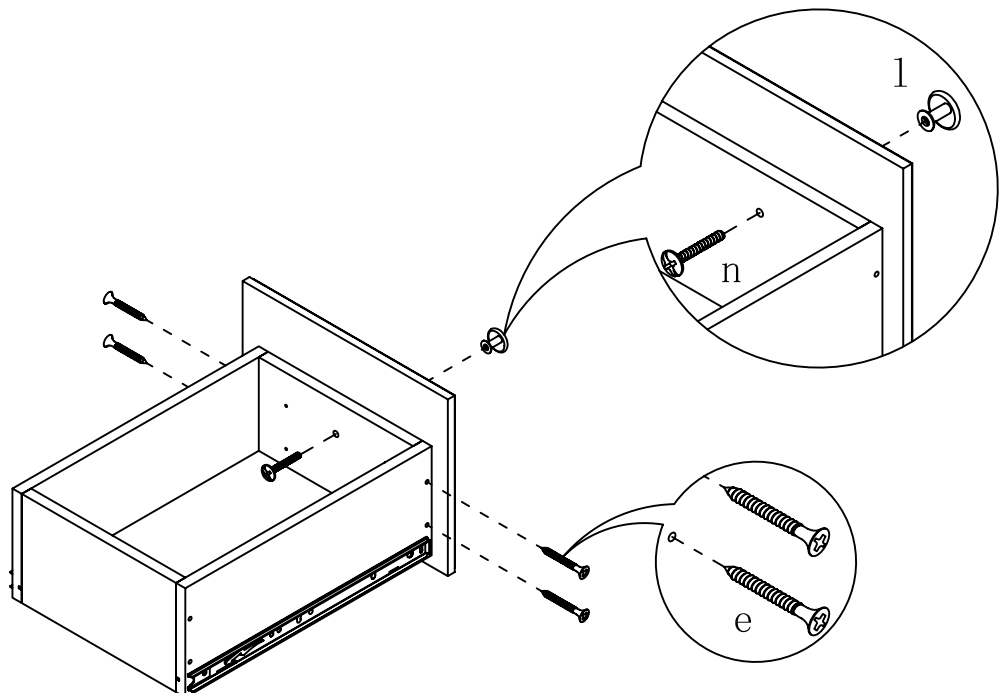
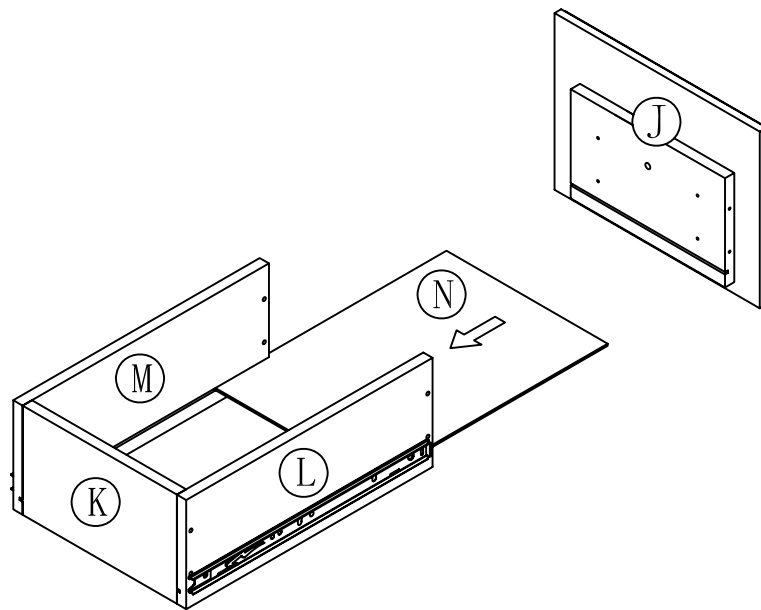
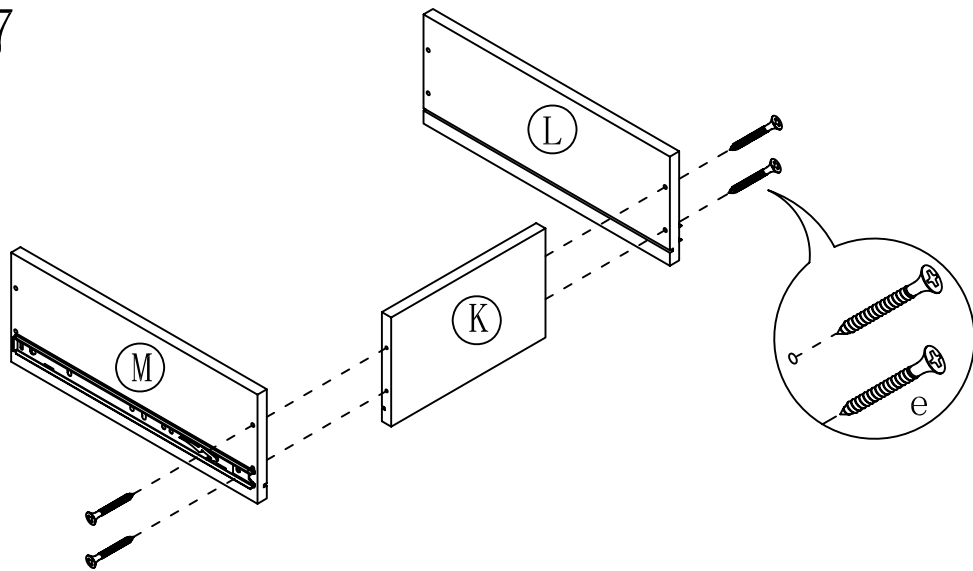




# STEP 6



# STEP 7



# STEP 8

