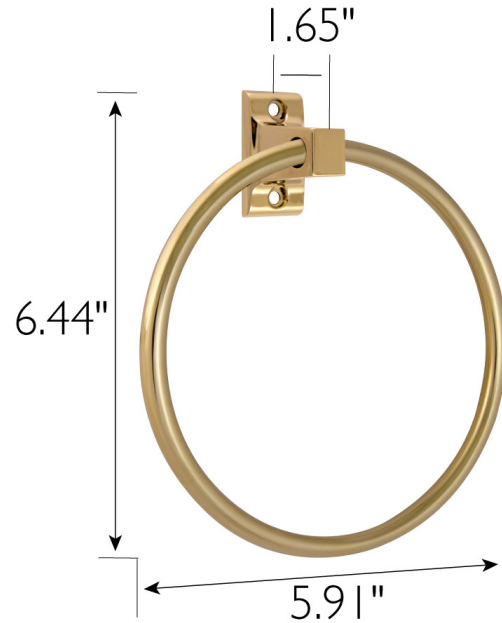


Millbridge Towel Ring
Polished Brass



SPECIFICATIONS

MATERIAL CONSTRUCTION:	Zinc
PVD FINISH:	N/A
ASSEMBLY REQUIRED:	No
TOOLS NEEDED FOR INSTALLATION:	Screwdriver
ASSEMBLED DIMENSIONS:	6.44" H x 5.91" L x 1.65" D
ASSEMBLED WEIGHT:	0.16 lbs.
MIN. LENGTH:	5.91"
MAX LENGTH:	5.91"
SCREWS INCLUDED:	Yes
DRYWALL ANCHORS INCLUDED:	Yes
CENTER TO CENTER:	N/A

WARRANTY:	1-Year limited warranty
LEGAL FOR SALE IN CALIFORNIA:	Yes
ADA COMPLIANT:	N/A



TYPE:
JOB:
ORDER CODE:
APPROVALS: