

Claremont One Door Two Drawer Vanity

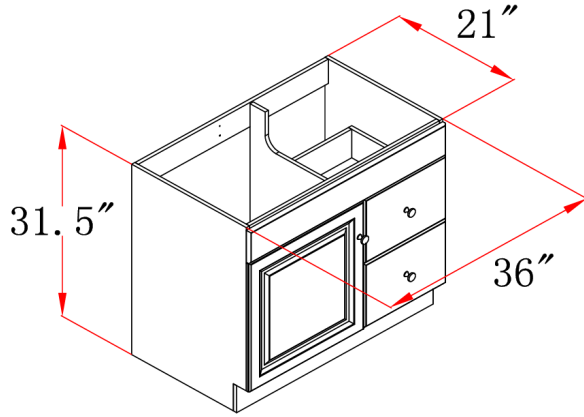


Specifications

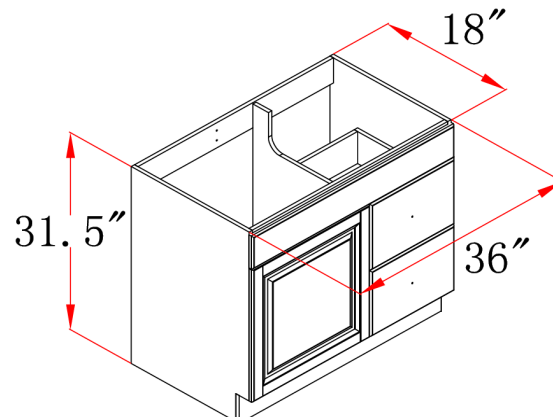
- Solid wood door frames and drawer fronts
- Easy glide drawer glides
- Raised panel veneer, full overlay door design
- Frameless design for increased storage and accessibility
- Aged brass hardware
- Concealed, adjustable hinges
- Cam-lock connectors for fast & easy assembly
- Vanity top sold separately



Dimensions



533489



532994

Warranty & Compliances

Warranty Limited 1 year warranty
California 93120 Compliant



Order Codes & Finishes/Colors

36" w x 21" d x 31.5" h 533489
36" w x 18" d x 31.5" h 532994

Type:
Job:
Order Code:
Approvals:

Design House reserves the right to make changes in materials, specifications & models at any time. Design House also reserves the right to discontinue product without notice or obligation.