

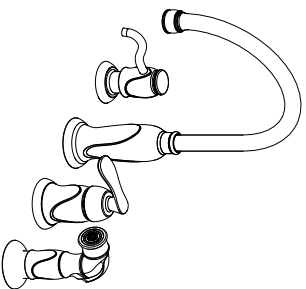


Design House is a registered brand of DHI Corp.

Meguon, WI 53092  
1-800-558-8700

## MADISON TWO HANDLE KITCHEN FAUCET

Models 525808,525790



Your new Design House faucet will give you years of trouble free performance. Thank you for choosing our product for your home. **Please read all of these instructions carefully before installing your new faucet.**

### Helpful tools to install this faucet:

- basin wrench
- silicon sealer
- Teflon tape
- flashlight
- (2) crescent wrenches
- faucet supply tubes

### IMPORTANT POINTS

- When installing your new faucet, hand tighten the connector nuts, then use one wrench to anchor the fitting and a second wrench to tighten the nut one additional turn. Connections that are too tight will reduce the integrity of the system.
- Wrap threaded connections (except aerator thread in spout or where o-ring or rubber sealant are present) with Teflon tape available from your local hardware or plumbing supply store. Always wrap in a clockwise direction.

### SAFETY TIPS

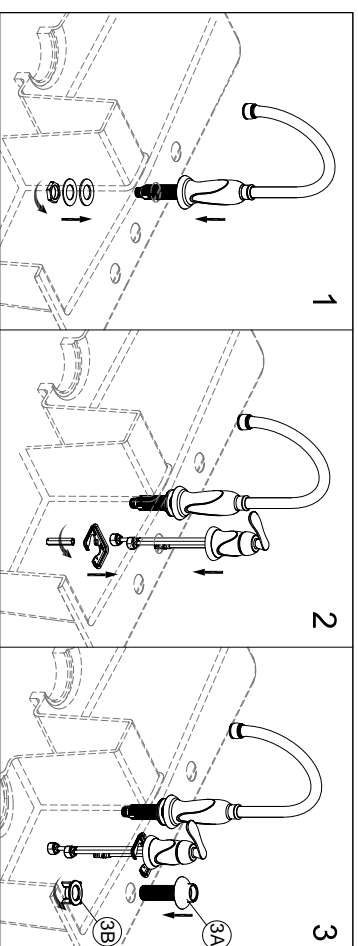
- **ALWAYS** protect your eyes with safety glasses.

## INSTALLATION PROCEDURE

1. Shut off water supplies. Remove old faucet. Place spout through mounting hole in sink. Secure spout with rubber washer, metal washer and nut.

2. Place handle assembly through side hole in sink. Secure handle assembly with washer and nut. Make sure that the slot on nut is facing up. Make sure handle is facing forward and it swings equally in both directions.

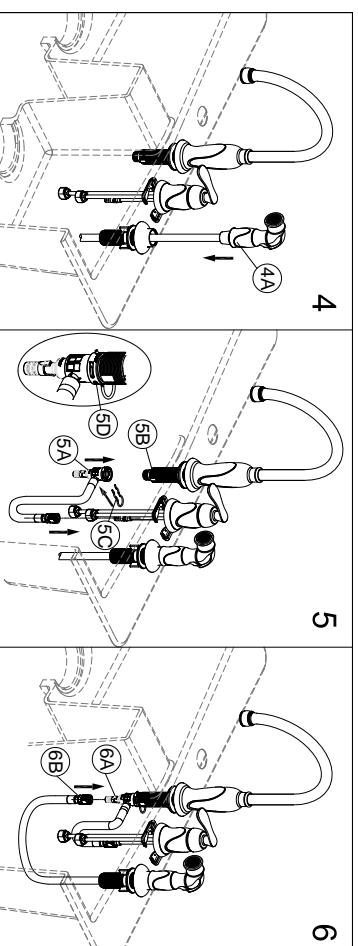
3. Insert hose guide (3A) through the sink hole. From underneath sink, secure hose guide (3A) by screwing mounting nut (3B). Do not overtighten.



4. Insert side spray hose (4A) through hose guide.

5. Push diverter connector (5A) all the way up until completely seated onto tube (5B). Slide clip (5C) into diverter holes (5D), to secure unit.

6. Align block (6A) and tabs on quick connect (6B). Push quick connect housing firmly upward and snap onto receiving block. Pull down moderately to ensure connection has been made. If it is necessary to remove quick connect, squeeze tabs on hose between index finger and thumb, then pull down to disconnect.

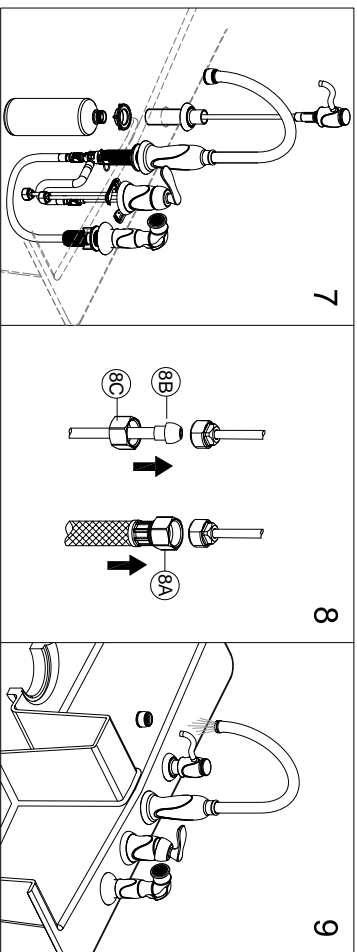


## INSTALLATION PROCEDURE

7. To Install Soap Dispenser  
Remove the bottle. Separate head from body assembly. Make sure flange is properly seated in the base of the body assembly. Insert body assembly through selected hole in sink. Secure body assembly to sink with nut. From under the sink screw the bottle onto the body assembly shank, then attach head assembly.

8. Make connections to water lines. Use 1/2" I.P.S. faucet connections (8A) or use supplied coupling nuts (8C) with 3/8" O.D ball-nose riser (8B). Use wrenches to tighten connections. Do not overtighten.

9. Turn on hot and cold water supplies. Remove aerator and turn the faucet on to the warm position where it mixes hot and cold water. Flush water lines for one minute. Check for leaks. Re-tighten any connections if necessary, but do not overtighten. Reinstall aerator.



## TROUBLE SHOOTING

- o 525808 - Satin Nickel
- o 525790 - Oil Rubbed Bronze

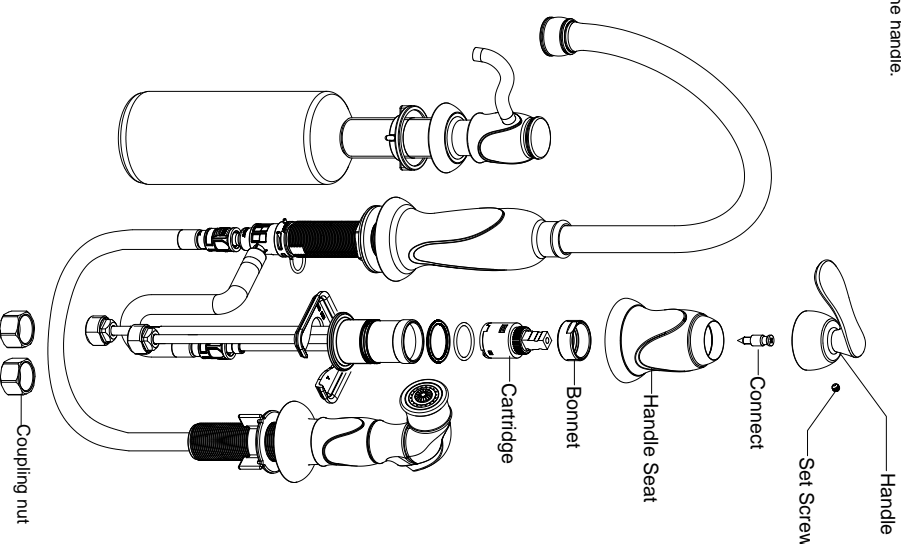
**Problem:**  
Leaks from under handle and water does not completely shut off.

**Cause:**  
Bonnet is loose or the cartridge is dirty or worn.

**Action:**

1. Remove the handle by loosening the set screw with a phillips screwdriver and unscrew handle seat.
2. Tighten the bonnet by turning it clockwise. Move the cartridge stem to the ON position. The leak should stop around the cartridge stem.
3. If the leak does not stop, shut off the water supply. Remove the bonnet by turning it counter clockwise. Lift out the cartridge. Clear or replace the cartridge if it is dirty or distorted.
4. Position the cartridge back to the faucet body and retighten the bonnet and handle seat.
5. Reinstall the handle.

Many of these parts come preassembled. This exploded diagram is to assist in trouble shooting.



## MAINTENANCE

Your new Design House faucet is designed to give you years of trouble free performance. Keep it looking new by cleaning it periodically with a soft cloth. Avoid abrasive cleaners, steel wool and harsh chemicals that will dull the finish and void your warranty

Brass finishes are polished, then protected with a lacquer coating to help prevent tarnishing. Clean these surfaces only with a damp, soft cloth.

### CONSUMER PROTECTION WARNING

Under the Safe Drinking Water Act, the U.S. Environmental Protection Agency restricts the amount of lead used in brass and solder. Your new faucet is made in strict compliance with all government standards. The materials used in the manufacture of this faucet are of industry standard quality and are similar to other plumbing products having brass fittings.

To reduce the amount of lead in your drinking water, allow the water to run for a moment before filling your glass and remember to always use cold water for drinking purposes.