

Eden Roman Tub Faucet

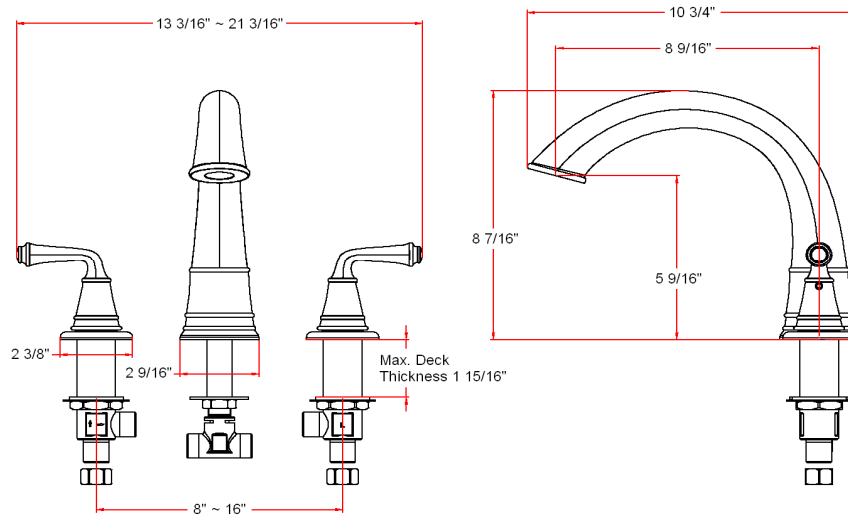


Specifications

Flow Rate (GPM)	5.1 GPM @ 20 psi
Material Content	Brass body with zinc handle
Spout dimensions	8-9/16"
Cartridge	Ceramic disk
Hand held sprayer	Not included
Lever handle operation	1/4 quarter turn stop



Dimensions



Warranty & Compliances

Warranty	Lifetime Limited Warranty
IAPMO/UPC	UPC & cUPC Compliant
ASME	ASME A112.18.1-05
ANSI	Compliant
ADA	Compliant
NSF	Compliant



Order Codes & Finishes/Colors

Polished Chrome (US26)	524595	
Oil Rubbed Bronze (US10B)	524611	

Type:

Job:

Order Code:

Approvals:

Design House reserves the right to make changes in materials, specifications & models at any time. Design House also reserves the right to discontinue product without notice or obligation.