

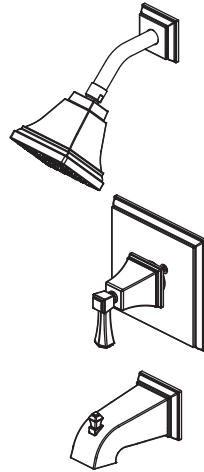


Design House is a registered brand of DHI Corp.

Mequon, WI 53092
1-800-558-8700

SINGLE HANDLE TUB & SHOWER FAUCET

Models 522029, 522037



Your new Design House faucet will give you years of trouble free performance. Thank you for choosing a Design House product for your home.

Please read all of these instructions carefully before installing your new faucet.

Helpful tools to install this faucet:

- basin wrench
- Teflon tape
- (2) crescent wrenches
- silicon sealer
- flashlight
- faucet supply tubes

IMPORTANT POINTS

- When installing your new faucet, hand tighten the connector nuts, then use one wrench to anchor the fitting and a second wrench to tighten the nut one additional turn. Connections that are too tight will reduce the integrity of the system.
- Wrap all threaded connections (except aerator thread in spout) with Teflon tape available from your local hardware or plumbing supply store. Always wrap in a counter-clockwise direction.

SAFETY TIPS

- **ALWAYS** protect your eyes with safety glasses.

INSTALLATION PROCEDURE

1. SHUT OFF WATER SUPPLY.

Verify that the hole sizes and positions of holes in the wall are correct. Recommended component measurements.

A. Shower and / or spout outlet hole: 1-1/4" diameter.

B. Valve access hole: 6" diameter.

C. Recommended valve depth to finished wall: 2" min. to 2-1/2" max.

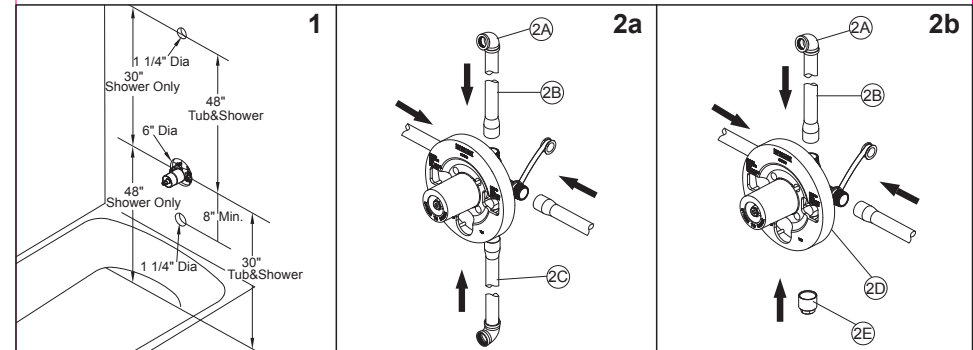
Be sure that the black template plate's surface is flush with the finished exterior surface of the wall. Be sure to position the valve body correctly in wall. "UP" marking up. The 8" Minimum from the valve body to the tub spout is required for proper operation.

2a. SUPPLY CONNECTION LAYOUT

Wrap plumber's tape around pipe threads in a clockwise direction. Connect water supplies to left (hot) and right (cold) valve body inlets. Connect shower outlet pipe (2B) and tub outlet pipe (2C) to valve body. Connect Pipe Elbow (2A) (not included) to the end of the pipe.

2b. SHOWER ONLY SUPPLY CONNECTION LAYOUT

Wrap plumber's tape around pipe threads in a clockwise direction. Connect water supplies to left (hot) and right (cold) valve body inlets. Connect Shower Outlet Pipe (2B) to valve body. Plug bottom outlet (2D) with plug (2E). Connect Pipe Elbow (2A) (not included) to the end of the pipe.



3. FOR SHOWER ARM INSTALLATION

Insert the long end of the shower arm (3B) through the flange (3A) then wrap plumber's tape to both sides of shower arm. Screw long end of the shower arm into pipe elbow inside the wall and secure with set screw (3C).

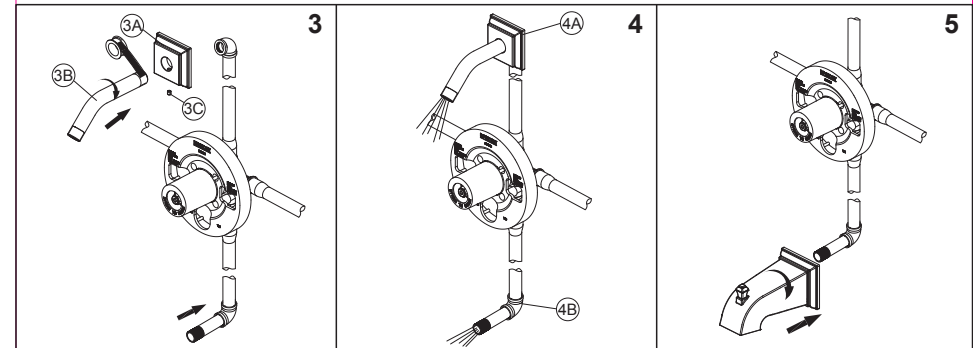
4. FLUSHING

For Tub and Shower Combinations: Turn on Hot and Cold water supply lines allowing water to flow from tub spout outlet (4B) until all foreign matter has cleared the line.

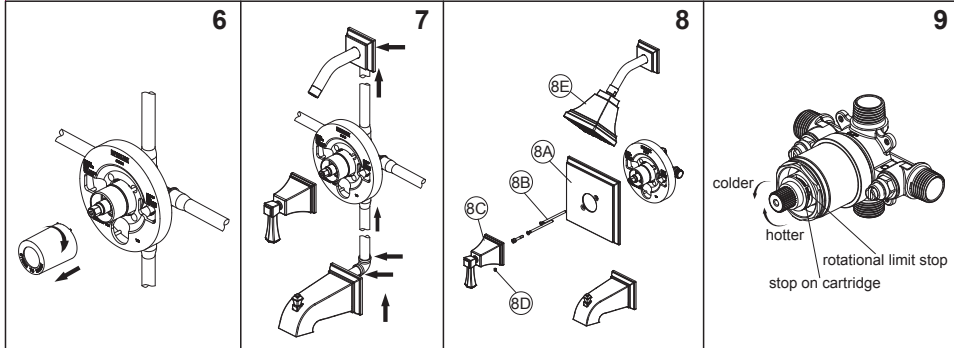
For Shower Only Combinations: Turn on Hot and Cold water supply lines allowing water to flow from shower outlet (4A) until all foreign matter has cleared the line. Pressure must be approximately equal on both Hot and Cold sides for valve to function properly.

5. FOR TUB SPOUT INSTALLATION

Install tub spout. Thread spout onto threaded connection clockwise until the spout becomes flush with the finished wall. Thread sealant may be required depending on your installation method. All thread sealants may be found at your local hardware store.



INSTALLATION PROCEDURE



6. Before installing escutcheon, remove the plastic cap from plaster guard by twisting cap in a clockwise direction. Remove the screw from the inverter.

7. Place handle on valve stem and turn handle to full on mixed position. Turn on hot and cold water lines to full open for one minute each. Check for leakage. Shut off water at faucet. Remove the handle.

8. Before installing escutcheon, remove the plaster guard. Install escutcheon (8A) onto valve and then insert screws (8B) to attach to valve body. Place handle assembly (8C) onto the valve and secure with set screw (8D). Attach shower (8E) to shower flange.

9. ADJUSTING WATER TEMPERATURE

Turn on water so that cold water is as cold as it will get and hot water is as hot as it will get. Remove the Rotational Limit Stop from the valve by sliding it off the stem. Place handle back on stem and rotate fully counterclockwise to the hottest position. Place a thermometer in a plastic tumbler and hold in the water stream. If the water temperature is above 120°F, the Rotational Limit Stop must be rotated counterclockwise to decrease temperature. Reinstall the stop by sliding it back on to the stem before reinstalling the handle.

MAKE SURE COLD WATER FLOWS FROM THE VALVE FIRST.

MAKE SURE WATER (AT THE HOTTEST FLOW) DOES NOT EXCEED THE TEMPERATURE LIMIT ALLOWED BY YOUR PLUMBING CODES (120°F OR 110°F).

MAINTENANCE

Your new Design House faucet is designed to give you years of trouble free performance. Keep it looking new by cleaning it periodically with a soft cloth. Avoid abrasive cleaners, steel wool and harsh chemicals that will dull the finish and void your warranty.

Brass finishes are polished, then protected with a lacquer coating to help prevent tarnishing. Clean these surfaces only with a damp, soft cloth.

CONSUMER PROTECTION WARNING

Under the Safe Drinking Water Act, the U.S. Environmental Protection Agency restricts the amount of lead used in brass and solder. Your new faucet is made in strict compliance with all government standards. The materials used in the manufacture of this faucet are of industry standard quality and are similar to other plumbing products having brass fittings.

To reduce the amount of lead in your drinking water, allow the water to run for a moment before filling your glass and remember to always use cold water for drinking purposes.

TROUBLE SHOOTING

Problem: Leaks underneath handle.

Cause: Bonnet has come loose or cartridge is dirty or broken.

Action:

Remove handle. Tighten the bonnet. If Water still does not completely shut off. Turn off water supply or turn off stop valves. Replace cartridge.

