

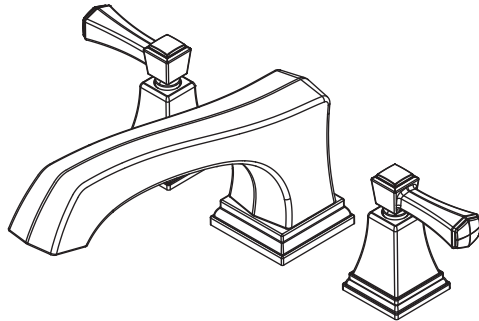


Design House is a registered brand of DHI Corp.

Mequon, WI 53092
1-800-558-8700

TWO HANDLE ROMAN TUB FAUCET

Models 522086, 522094



Your new Design House faucet will give you years of trouble free performance. Thank you for choosing a Design House product for your home.

Please read all of these instructions carefully before installing your new faucet.

Helpful tools to install this faucet:

- basin wrench
- Teflon tape
- (2) crescent wrenches
- silicon sealer
- flashlight
- faucet supply tubes

IMPORTANT POINTS

- When installing your new faucet, hand tighten the connector nuts, then use one wrench to anchor the fitting and a second wrench to tighten the nut one additional turn. Connections that are too tight will reduce the integrity of the system.
- Wrap all threaded connections (except aerator thread in spout) with Teflon tape available from your local hardware or plumbing supply store. Always wrap in a counter-clockwise direction.

SAFETY TIPS

- **ALWAYS** protect your eyes with safety glasses.

INSTALLATION PROCEDURE

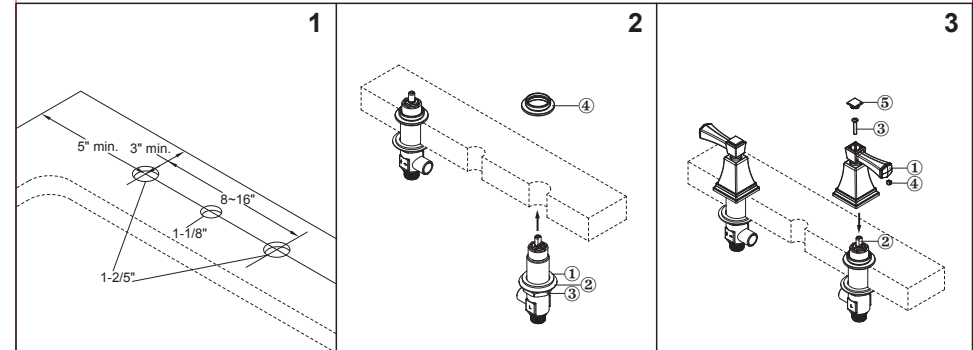
1. Drill holes in FINISHED DECK per diagram.

NOTE: This kit is intended for installation up to 2" thick.

2. From underneath the deck, insert valve body with rubber washer (1), metal washer (2) and mounting nut (3) through holes on the right (cold) side. From above, thread flange (4) onto valve stem. Tighten mounting nut (3), so that the flange (4) sits flush to the surface of working area. Then insert the other valve body through holes on the left (hot) side and install in the same way.

NOTE: HOT side end valve is labeled.

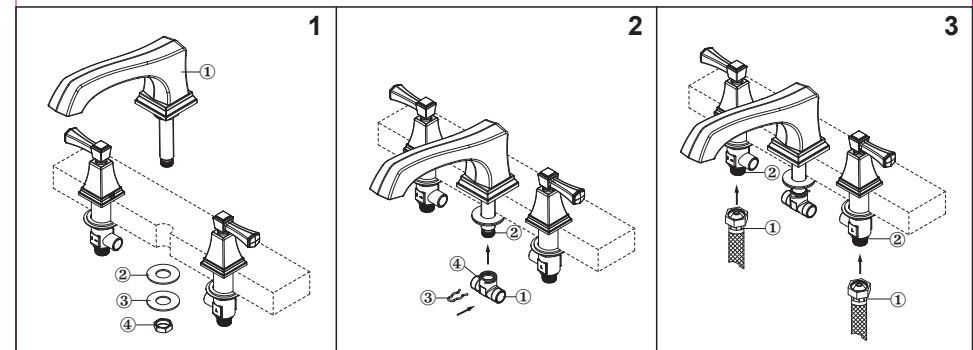
3. Install the handle (1) onto the valve stem (2) and secure with screw (3), install the set screw (4) and insert the index (5).



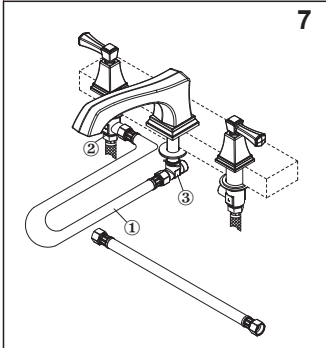
4. Place spout assembly (1) through mounting hole in deck. Secure spout with rubber washer (2), metal washer (3) and nut (4). Tighten nut (4) securely with wrench.

5. Insert T-tube (1) onto spout shank (2) until it is completely seated. Place clip (3) through slots (4).

6. Connect water supply lines (1) to faucet inlets (2). (supply lines are not included.)



INSTALLATION PROCEDURE

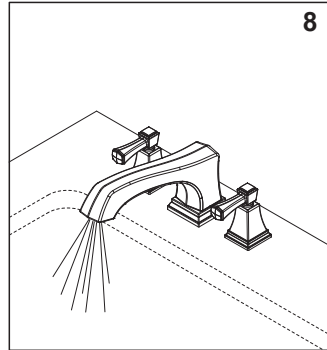


7. Connect the flexible water supply hose (1) to the bottom of valve bodies (2) as show. Align T-tube (3) in a position which will allow maximum clearance to connect hoses.

Carefully bend the hoses to fit available space.

Carefully thread the hose couplings to the sides of the T-tube (3).

8. **Important:** After installation is completed, turn on water supply and allow both hot and cold water to run for at least one minute each.



MAINTENANCE

Your new Design House faucet is designed to give you years of trouble free performance. Keep it looking new by cleaning it periodically with a soft cloth. Avoid abrasive cleaners, steel wool and harsh chemicals that will dull the finish and void your warranty.

Brass finishes are polished, then protected with a lacquer coating to help prevent tarnishing. Clean these surfaces only with a damp, soft cloth.

CONSUMER PROTECTION WARNING

Under the Safe Drinking Water Act, the U.S. Environmental Protection Agency restricts the amount of lead used in brass and solder. Your new faucet is made in strict compliance with all government standards. The materials used in the manufacture of this faucet are of industry standard quality and are similar to other plumbing products having brass fittings.

To reduce the amount of lead in your drinking water, allow the water to run for a moment before filling your glass and remember to always use cold water for drinking purposes.

TROUBLE SHOOTING

Problem:

Leak from spout.

Cause:

Damaged or dirty seals.

Action:

Disassemble faucet, remove cartridge.

Clean or replace it.

Problem:

Leak from under handle.

Cause:

Damaged cartridge.

Action:

Remove handle. Replace cartridge.

Many of these parts come preassembled. This exploded diagram is to assist in trouble shooting.

POP-UP INSTALLATION EXPLODED PARTS

