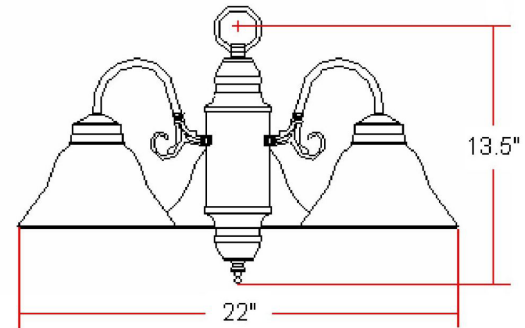


Millbridge 3-Light Chandelier
Oil Rubbed Bronze



SPECIFICATIONS

MOUNTING:	Flush Mount	LED BRIGHTNESS (LUMENS):	N/A
SLOPED CEILING ADAPTABLE:	No	LED COLOR CORRELATED TEMPERATURE (CCT):	N/A
LAMP TYPE 1:	3 lamps 60W Incandescent	LED COLOR RENDERING INDEX (CRI):	N/A
BULB INCLUDED:	No	LED EFFICACY:	N/A
WATTS PER BULB:	60W	LED AVERAGE RATED LIFE:	N/A
TOTAL WATTAGE:	180W	ENERGY EFFICIENT:	No
DIMMABLE:	Yes	LIGHTING AMPS:	N/A
MATERIAL CONSTRUCTION:	Steel	VOLTAGE:	120V
ASSEMBLED DIMENSIONS:	14" H x 22" L x 22" D		
WEIGHT:	10.00 lbs.		
BACKPLATE DIMENSIONS:	N/A		
CANOPY/PLATE DIMENSIONS:	0.827" H x 5" D		
GLASS/SHADE DIMENSIONS:	4.2" H x 7.5" L x 7.5" D		
GLASS/SHADE MATERIAL:	Glass		
GLASS/SHADE TYPE:	Alabaster		
GLASS/SHADE COLOR:	White		

WARRANTY:	10-Year limited warranty
UL/ETL CERTIFICATION:	cETL/ETL
WET/DRY/DAMP LISTING:	Dry
ADA COMPLIANT:	No
ENERGY STAR CERTIFIED:	No



TYPE:
JOB:
ORDER CODE:
APPROVALS: