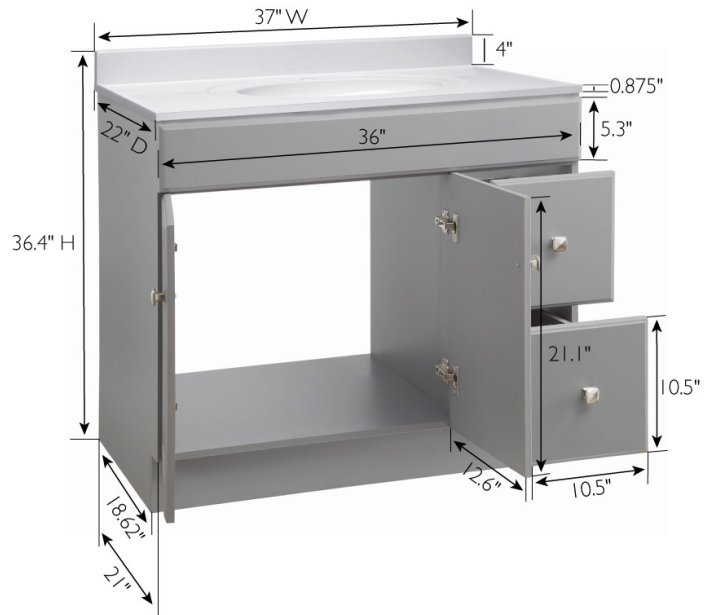


Grey

Wyndham 2-Door 2-Drawer Vanity with Cultured Marble Single Hole Solid White Top, Unassembled, 37x22



SPECIFICATIONS

MATERIAL CONSTRUCTION:	Wood/Cultured Marble
ASSEMBLY REQUIRED:	Yes
ASSEMBLED DIMENSIONS:	36.3" H x 37" L x 22" D
ASSEMBLED WEIGHT:	134.25 lbs.
TOOLS NEEDED FOR INSTALLATION:	Wrench
CONSTRUCTION TYPE:	Frameless
HINGE STYLE:	Concealed
DOOR STYLE:	2 MDF Slab Doors
DRAWER STYLE:	2 MDF Drawers
GLIDE STYLE:	STD Easy Glide
FAKE DWR STYLE:	N/A
DWR #1 DIMENSIONS:	5.12" H x 15.59" D
DWR CONSTRUCTION:	Standard
SHELF STYLE:	N/A
SHELF ADJUSTABILITY INCREMENTS:	N/A
SHELF MAX WEIGHT CAPACITY:	N/A
SHELF DIMENSIONS:	N/A
SHELF THICKNESS:	N/A
SHELF MATERIAL:	N/A
FRAME STYLE:	N/A
FACE FRAME MATERIAL:	MDF
SIDES MATERIAL:	Particle Board
BOTTOM MATERIAL:	Particle Board

TOE KICK INSET WIDTH:	4.5"
BACK PANEL MATERIAL:	N/A
BACK BRACE MATERIAL:	Particle Board
FAUCET TYPE:	Lav Single Handle
NUMBER OF MOUNTING HOLES:	1
BOWL MATERIAL:	Cultured Marble
BACK SPLASH INCLUDED:	Yes
COLOR:	Solid White
NUMBER OF BOWLS:	1
BOWL DIMENSIONS:	5.63" H x 11.63" W x 16.85" D
BOWL SHAPE:	Oval
SINK THICKNESS:	N/A
MOUNTING TYPE:	Integrated
OVERFLOW HOLE:	Yes
WARRANTY:	1-Year limited warranty
CARB COMPLIANT:	CARB Phase 2
LEGAL FOR SALE IN CALIFORNIA:	Yes
TSCA TITLE IV COMPLIANT:	Yes



TYPE:
JOB:
ORDER CODE:
APPROVALS: