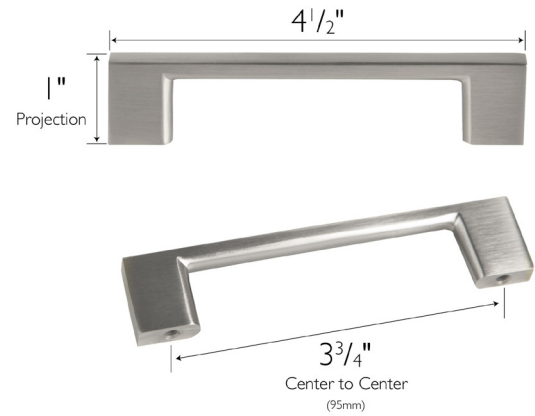
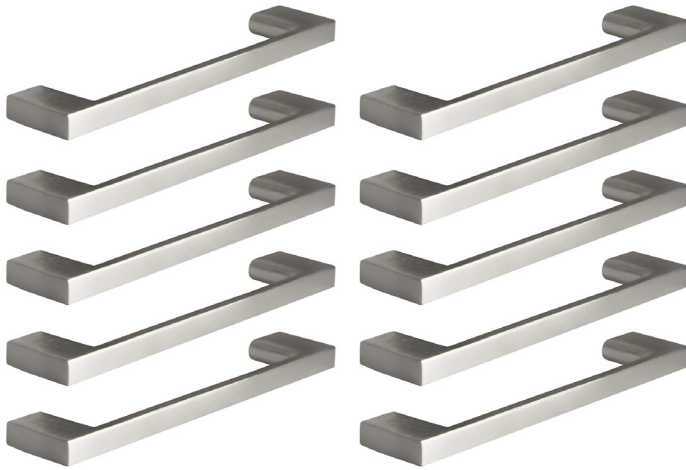


Caster Cabinet Pull, 10-Pack  
Satin Nickel



**SPECIFICATIONS**

MATERIAL CONSTRUCTION:	Steel
MOUNTING HARDWARE INCLUDED:	Yes
TOOLS NEEDED FOR INSTALLATION:	Screwdriver
ASSEMBLED DIMENSIONS:	1/4" H x 4 1/2" L x 1" D
ASSEMBLED WEIGHT:	0.81 lbs.
CENTER TO CENTER:	3 3/4" (95 mm)
PROJECTION:	1"
MOUNTING HARDWARE SIZE:	1/4" x 1" and 1/4" x 1 3/4"

WARRANTY:	1-Year limited warranty
LEGAL FOR SALE IN CALIFORNIA:	Yes



TYPE: JOB: ORDER CODE: APPROVALS:
--