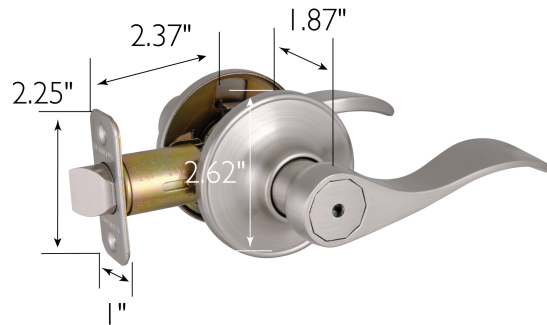


Springdale 2-Way Adjustable Privacy Door Handle Satin Nickel



SPECIFICATIONS

| | | | |
|------------------------------------|-----------------------------|---------------------------------------|-------------------------|
| MATERIAL CONSTRUCTION: | Brass | KEYWAY: | N/A |
| LOCK FUNCTION: | Privacy | REMOVABLE CORE: | No |
| DEADBOLT FUNCTION: | N/A | LATCH FACEPLATE I: | Round Corner |
| EXTERIOR MAX PROJECTION: | 2.25" | LATCH BACKSET: | Adj; 2-3/8" - 2-3/4" |
| INTERIOR MAX PROJECTION: | 2.25" | LATCH TYPE: | 2 Way (fixed faceplate) |
| KOB VS. LEVER: | Lever | LATCHBOLT THROW DISTANCE: | 0.5" |
| KNOB DIMENSIONS: | N/A | # PINS IN CYLINDER: | N/A |
| LEVER LENGTH: | 3.67" | ANTI-BUMP PIN INSTALLED: | N/A |
| ROSE DIMENSIONS: | 2.63" H x 2.63" W x 2.63" D | # KEYS INCLUDED: | N/A |
| ROSETTE / ESCUTCHEON SHAPE: | Round | SPINDLE TYPE: | Half-Moon |
| CROSS BORE: | 2.13" | MOUNTING HARDWARE INCLUDED: | Yes |
| EDGE BORE: | 1" | TOOLS NEEDED FOR INSTALLATION: | Phillips Screwdriver |
| HANDING: | Reversible | ASSEMBLED WEIGHT: | 1.65 lbs. |
| REKEYABLE?: | No | | |

| | |
|----------------------------|-------------------------|
| WARRANTY: | 5-Year limited warranty |
| ANSI CERTIFICATION: | Grade 3 |
| BHMA GRADE: | 3 |
| FIRE RATED: | No |
| ADA COMPLIANT: | No |



| |
|--|
| TYPE: JOB: ORDER CODE: APPROVALS: |
|--|