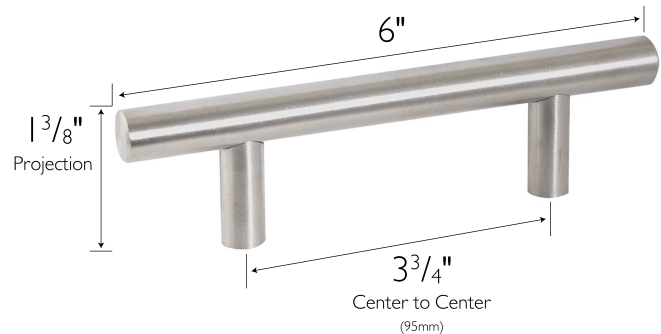


Solid Bar Cabinet Pull 3.75" Hole Center 10-Pack
Satin Nickel



SPECIFICATIONS

MATERIAL CONSTRUCTION:	Steel
MOUNTING HARDWARE INCLUDED:	Yes
TOOLS NEEDED FOR INSTALLATION:	Screwdriver
ASSEMBLED DIMENSIONS:	1.38" H x 136mm L
CENTER TO CENTER:	96mm
LEVER/PULL LENGTH:	136mm
PROJECTION:	1.38"
KNOB DIAMETER:	N/A
ASSEMBLED WEIGHT:	0 lbs.

WARRANTY: 1-Year limited warranty
LEGAL FOR SALE IN CALIFORNIA: Yes



TYPE:
JOB:
ORDER CODE:
APPROVALS: