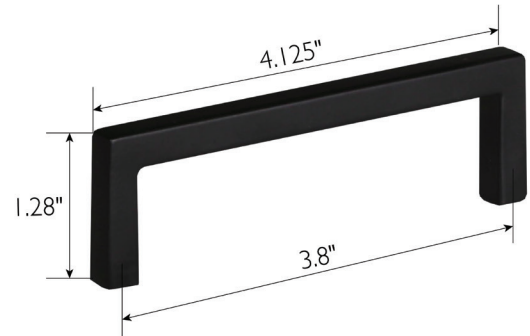


Portico Modern Square Cabinet Pull 3.8" Hole Center, 10-Pack  
Matte Black



**SPECIFICATIONS**

MATERIAL CONSTRUCTION:	Steel
MOUNTING HARDWARE INCLUDED:	Yes
TOOLS NEEDED FOR INSTALLATION:	Screwdriver
ASSEMBLED DIMENSIONS:	1.28" H x 4.125" L x 1.375" D
CENTER TO CENTER:	3-3/4"
LEVER/PULL LENGTH:	4.125"
PROJECTION:	1.28"
KNOB DIAMETER:	N/A
ASSEMBLED WEIGHT:	.84 lbs.
SCREW DIMENSIONS:	0.25" x 1"

WARRANTY: 1-Year limited warranty  
 LEGAL FOR SALE IN CALIFORNIA: Yes



TYPE:  
 JOB:  
 ORDER CODE:  
 APPROVALS: