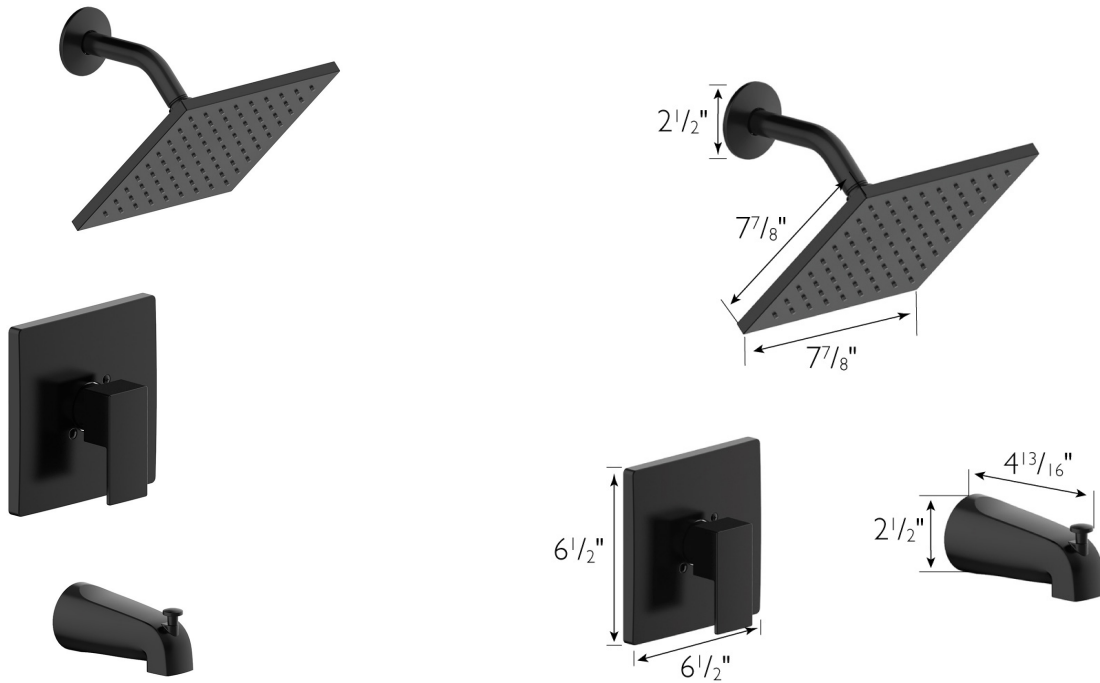


### Karsen II Bath and Shower Trim with Valve Matte Black



## SPECIFICATIONS

MATERIAL:	Zinc/Brass	WEIGHT:	4 lbs.
HANDLE MATERIAL:	Zinc	PVD FINISH:	No
CARTRIDGE MATERIAL:	Ceramic	ESCUTCHEON INCLUDED:	Yes
WATERWAY MATERIAL:	Hybrid	VALVE INCLUDED:	No
VALVE MATERIAL:	Brass	PRESSURE BALANCED VALVE:	Yes
FLOW RATE:	1.8 GPM	SHOWER HEAD FUNCTIONS (QTY):	1
LOW FLOW:	Yes	SHOWER HEAD NOZZLE TYPE:	Raised
HANDLES CONFIGURATION:	Single Handle	SHOWER HEAD SHAPE:	Square
QUICK ATTACH INCLUDED:	No	SHOWER HEAD PUSH BUTTON:	No
DIMENSIONS FOR SHOWER ARM:	2 1/2" H x 5 5/16" L	TUB SPOUT DIVERTER INCLUDED:	Yes
DIMENSIONS FOR SHOWER HEAD:	7 7/8" H x 7 7/8" L		
DIMENSIONS FOR TRIM:	6 1/2" H x 6 1/2" L		
DIMENSIONS FOR SPOUT:	2 1/2" H x 4 13/16" L		

WARRANTY:	5-Year limited warranty
UPC CERTIFICATION NAME:	cUPC
WATERSENSE:	Yes
ASME:	No
ADA COMPLIANT:	Yes



TYPE:
JOB:
ORDER CODE:
APPROVALS: