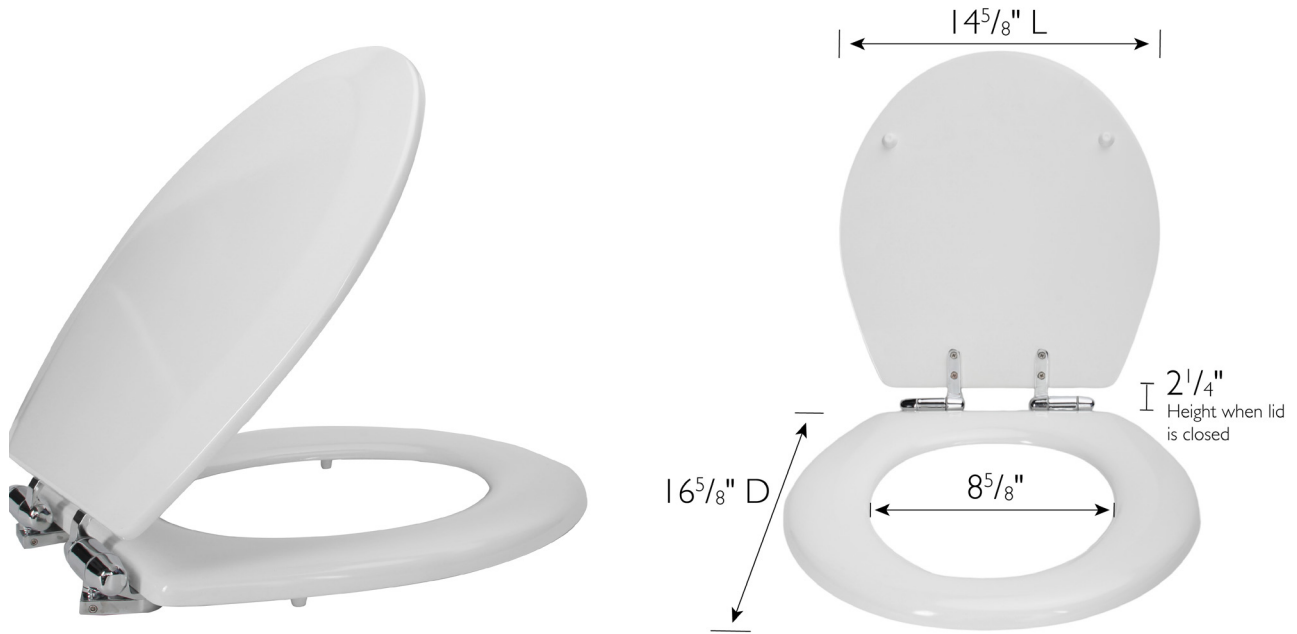


Dalton Soft Close Round Toilet Seat White



SPECIFICATIONS

MATERIAL CONSTRUCTION:	Wood
ASSEMBLY REQUIRED:	No
TOOLS NEEDED FOR INSTALLATION:	Screwdriver
ASSEMBLED DIMENSIONS:	16.5" H x 14.6" L x 2" D
ASSEMBLED WEIGHT:	3.43 lbs.
MIN. LENGTH:	16.5"
MAX LENGTH:	16."
SCREWS INCLUDED:	Yes
HINGE TYPE:	zinc alloy, soft close

WARRANTY:	1-Year limited warranty
LEGAL FOR SALE IN CALIFORNIA:	Yes
ADA COMPLIANT:	N/A
PROP 65 HARMFUL MATERIAL:	Lead



TYPE:
JOB:
ORDER CODE:
APPROVALS: