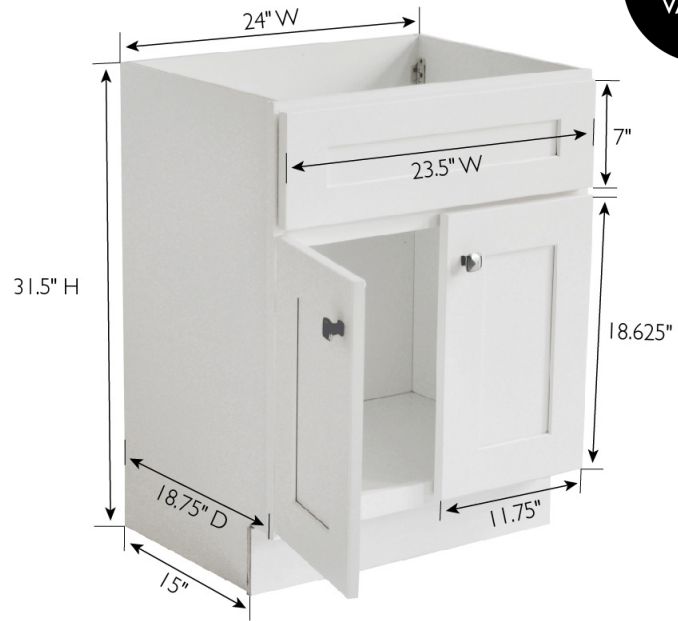


Brookings Fully Assembled, 2-Door Vanity, 24x18.74x31.5 in.  
White Base



FULLY  
ASSEMBLED  
VANITY

## SPECIFICATIONS

MATERIAL CONSTRUCTION:	Wood
ASSEMBLY REQUIRED:	No
TOOLS NEEDED FOR ASSEMBLY:	100% Silicone
ASSEMBLED DIMENSIONS:	31.5" H x 24" L x 18.74" D
ASSEMBLED WEIGHT:	47.79 lbs.
HINGE STYLE:	Concealed
DOOR STYLE:	2 Shaker Doors

CONSTRUCTION TYPE:	Face Frame
FACE FRAME MATERIAL:	Solid Wood
SIDES MATERIAL:	Plywood
BOTTOM MATERIAL:	Plywood
TOE KICK INSET WIDTH:	3"
BACK PANEL MATERIAL:	Plywood
BACK BRACE MATERIAL:	Solid Wood
FAKE DWR FACE MATERIAL:	MDF
DRAWER FACE MATERIAL:	MDF

WARRANTY: 1-Year limited warranty  
 TITLE IV COMPLIANT: Yes  
 PROP 65 HARMFUL MATERIAL: Formaldehyde



TYPE:  
 JOB:  
 ORDER CODE:  
 APPROVALS: