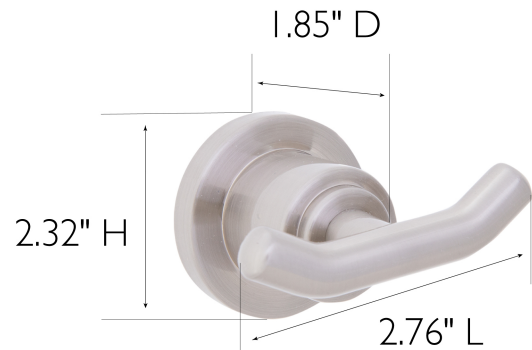


Geneva Double Robe Hook 2-Pack  
Satin Nickel



**SPECIFICATIONS**

MATERIAL CONSTRUCTION:	Zinc
PVD FINISH:	No
ASSEMBLY REQUIRED:	Yes
TOOLS NEEDED FOR INSTALLATION:	Screwdriver
ASSEMBLED DIMENSIONS:	2.32" H x 2.76" L x 1.85" D
ASSEMBLED WEIGHT:	0.34 lbs.
SCREWS INCLUDED:	Yes
DRYWALL ANCHORS INCLUDED:	Yes

WARRANTY:	1-Year limited warranty
LEGAL FOR SALE IN CALIFORNIA:	Yes
ADA COMPLIANT:	N/A



TYPE:  
JOB:  
ORDER CODE:  
APPROVALS: