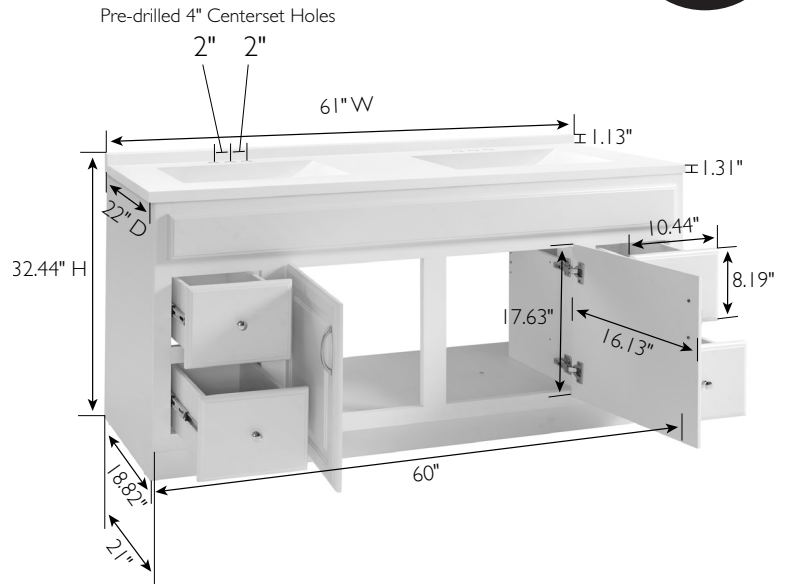


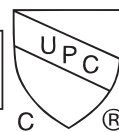
Concord Shaker 2-Door Vanity with Cultured Marble 4 in. Centerset Solid White Top, Fully Assembled, 61x22, White Base

FULLY ASSEMBLED VANITY



SPECIFICATIONS

MATERIAL CONSTRUCTION:	Wood/Cultured Marble	TOE KICK INSET WIDTH:	2.2"
ASSEMBLY REQUIRED:	No	BACK PANEL MATERIAL:	NA
ASSEMBLED DIMENSIONS:	32.4" H x 61" L x 22" D	BACK BRACE MATERIAL:	Plywood
ASSEMBLED WEIGHT:	183.45 lbs.	FAUCET TYPE:	Lav Centerset
TOOLS NEEDED FOR INSTALLATION:	100% Silicone	NUMBER OF MOUNTING HOLES:	3
CONSTRUCTION TYPE:	Face Frame	BOWL MATERIAL:	Cultured Marble
HINGE STYLE:	Soft Close	BACK SPLASH INCLUDED:	Yes
DOOR STYLE:	Accent	COLOR:	Solid White
DOOR MATERIAL:	MDF	NUMBER OF BOWLS:	1
DRAWER STYLE:	4 Drawers	BOWL DIMENSIONS:	5.4" H x 19.25" W x 12.5" D
DRAWER MATERIAL:	MDF and Plywood	BOWL SHAPE:	Rectangle
GLIDE STYLE:	STD Easy Glide	SINK THICKNESS:	1.18"
FAKE DWR STYLE:	N/A	MOUNTING TYPE:	Centerset
DWR DIMENSIONS:	8.2" H x 14.5" L x 10.2" D	OVERFLOW HOLE:	Yes
DWR CONSTRUCTION:	Standard	WARRANTY:	1-Year limited warranty
FACE FRAME MATERIAL:	Pine	TSCA TITLE IV COMPLIANT:	Yes
SIDES MATERIAL:	Plywood	LEGAL FOR SALE IN CALIFORNIA:	Yes
BOTTOM MATERIAL:	Plywood	PROP 65 HARMFUL MATERIAL:	Formaldehyde



TYPE:
 JOB:
 ORDER CODE:
 APPROVALS: