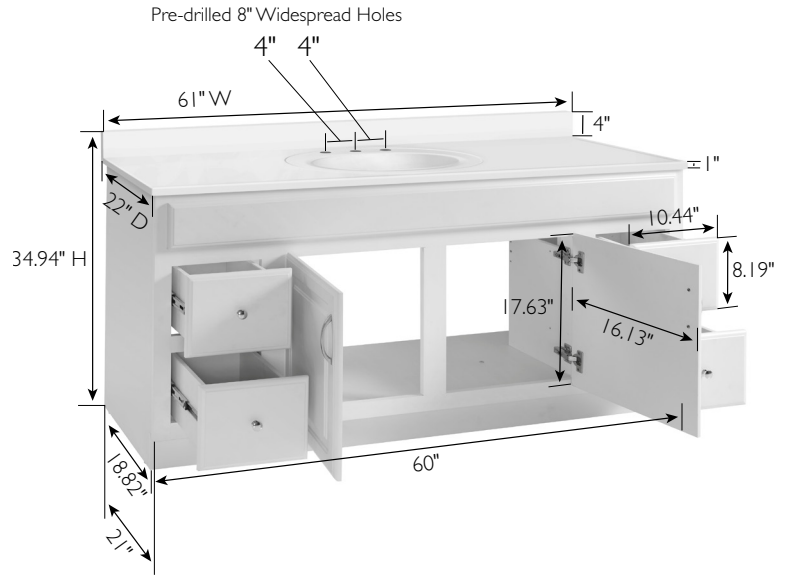


Concord Shaker 2-Door Vanity with Cultured Marble 8 in. Widespread Solid White Top, Fully Assembled, 61 x 22, White Base

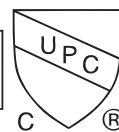
**FULLY
ASSEMBLED
VANITY**



SPECIFICATIONS

MATERIAL CONSTRUCTION:	Wood/Cultured Marble
ASSEMBLY REQUIRED:	No
ASSEMBLED DIMENSIONS:	34.9" H x 61" L x 22" D
ASSEMBLED WEIGHT:	180.32 lbs.
TOOLS NEEDED FOR INSTALLATION:	100% Silicone
CONSTRUCTION TYPE:	Face Frame
HINGE STYLE:	Soft Close
DOOR STYLE:	Accent
DOOR MATERIAL:	MDF
DRAWER STYLE:	4 Drawers
DRAWER MATERIAL:	MDF and Plywood
GLIDE STYLE:	STD Easy Glide
FAKE DWR STYLE:	N/A
DWR DIMENSIONS:	8.2" H x 14.5" L x 10.2" D
DWR CONSTRUCTION:	Standard
FACE FRAME MATERIAL:	Pine
SIDES MATERIAL:	Plywood
BOTTOM MATERIAL:	Plywood

TOE KICK INSET WIDTH:	2.2"
BACK PANEL MATERIAL:	NA
BACK BRACE MATERIAL:	Plywood
FAUCET TYPE:	Lav Widespread
NUMBER OF MOUNTING HOLES:	3
BOWL MATERIAL:	Cultured Marble
BACK SPLASH INCLUDED:	Yes
COLOR:	Solid White
NUMBER OF BOWLS:	1
BOWL DIMENSIONS:	5.63" H x 11.625" W x 16.875" D
BOWL SHAPE:	Oval
SINK THICKNESS:	1"
MOUNTING TYPE:	Widespread
OVERFLOW HOLE:	Yes
WARRANTY:	1-Year limited warranty
TSCA TITLE IV COMPLIANT:	Yes
LEGAL FOR SALE IN CALIFORNIA:	Yes
PROP 65 HARMFUL MATERIAL:	Formaldehyde



TYPE:
JOB:
ORDER CODE:
APPROVALS: