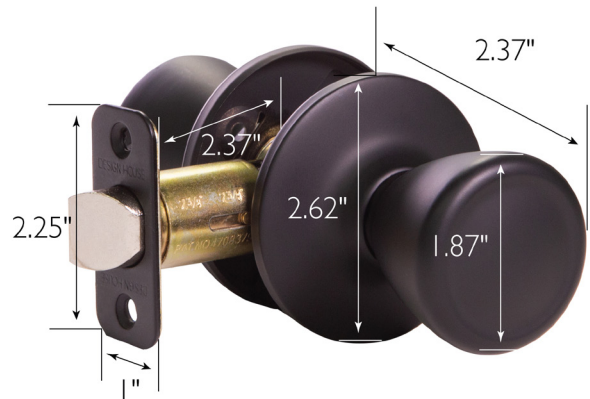


Tulip Passage Hall and Closet Door Knob

Matte Black



SPECIFICATIONS

MATERIAL CONSTRUCTION:	Brass	REMOVABLE CORE:	No
LOCK FUNCTION:	Passage	LATCH FACEPLATE:	Round Corner
DEADBOLT FUNCTION:	N/A	LATCH BACKSET:	Adj. 2-3/8" 2-3/4"
EXTERIOR MAX PROJECTION:	2.38"	LATCH TYPE:	2 Way (fixed faceplate)
INTERIOR MAX PROJECTION:	2.38"	LATCHBOLT THROW DISTANCE:	0.5
KNOB VS. LEVER:	Knob	# PINS IN CYLINDER:	N/A
KNOB DIMENSIONS:	2.25" H x 6.25" L x 2.62" D	ANTI-BUMP PIN INSTALLED:	N/A
ROSE DIMENSIONS:	2.63" H x 2.63" W x 2.63" D	# KEYS INCLUDED:	0
ROSETTE / ESCUTCHEON SHAPE:	Round	SPINDLE TYPE:	Half-Moon
CROSS BORE:	2.13"	MOUNTING HARDWARE INCLUDED:	Yes
EDGE BORE:	1"	TOOLS NEEDED FOR INSTALLATION:	Screwdriver
HANDING:	Reversible	ASSEMBLED WEIGHT:	0.99 lbs
REKEYABLE?:	No		

WARRANTY:	5-Year limited warranty
ANSI CERTIFICATION:	Grade 3
BHMA GRADE:	3
FIRE RATED:	No
ADA COMPLIANT:	No



TYPE:
JOB:
ORDER CODE:
APPROVALS: