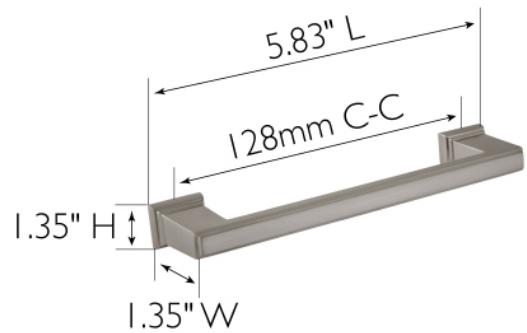
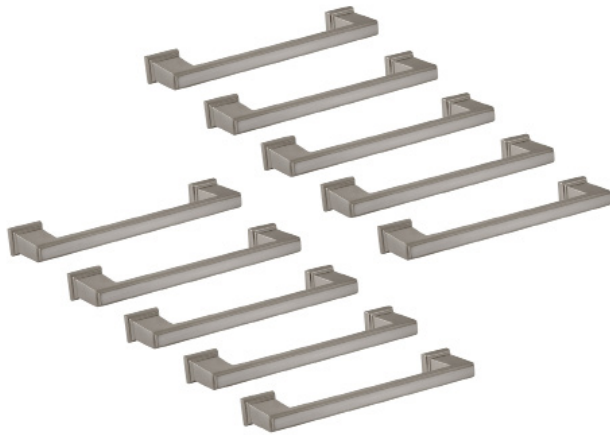


Gage Pull 5" Center-to-Center, 10-Pack
Nickel



SPECIFICATIONS

MATERIAL CONSTRUCTION:	Zinc
MOUNTING HARDWARE INCLUDED:	Yes
TOOLS NEEDED FOR INSTALLATION:	Screwdriver
ASSEMBLED DIMENSIONS:	5.83" L x 1.35" D x 1.35" H
ASSEMBLED WEIGHT:	3.2 lbs.
LEVER/PULL LENGTH:	n/a
CENTER TO CENTER:	5.03" c-c
PROJECTION:	1.35"

WARRANTY:	1-Year limited warranty
LEGAL FOR SALE IN CALIFORNIA:	Yes



TYPE: JOB: ORDER CODE: APPROVALS:
--