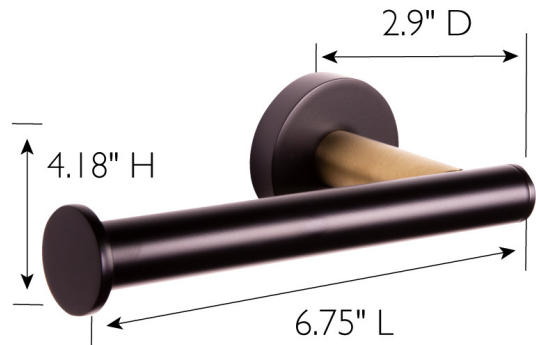


Kelton TP Holder Matte Black and Satin Gold



SPECIFICATIONS

MATERIAL CONSTRUCTION:	Zinc/Brass
PVD FINISH:	No
ASSEMBLY REQUIRED:	No
TOOLS NEEDED FOR INSTALLATION:	Screwdriver
ASSEMBLED DIMENSIONS:	6.75" L x 4.18" H x 2.9" D
ASSEMBLED WEIGHT:	0.654 lbs.
MIN. LENGTH:	6.75"
MAX LENGTH:	6.75"
SCREWS INCLUDED:	Yes
DRYWALL ANCHORS INCLUDED:	Yes

WARRANTY:	1-Year limited warranty
LEGAL FOR SALE IN CALIFORNIA:	Yes
ADA COMPLIANT:	N/A



TYPE:
JOB:
ORDER CODE:
APPROVALS: