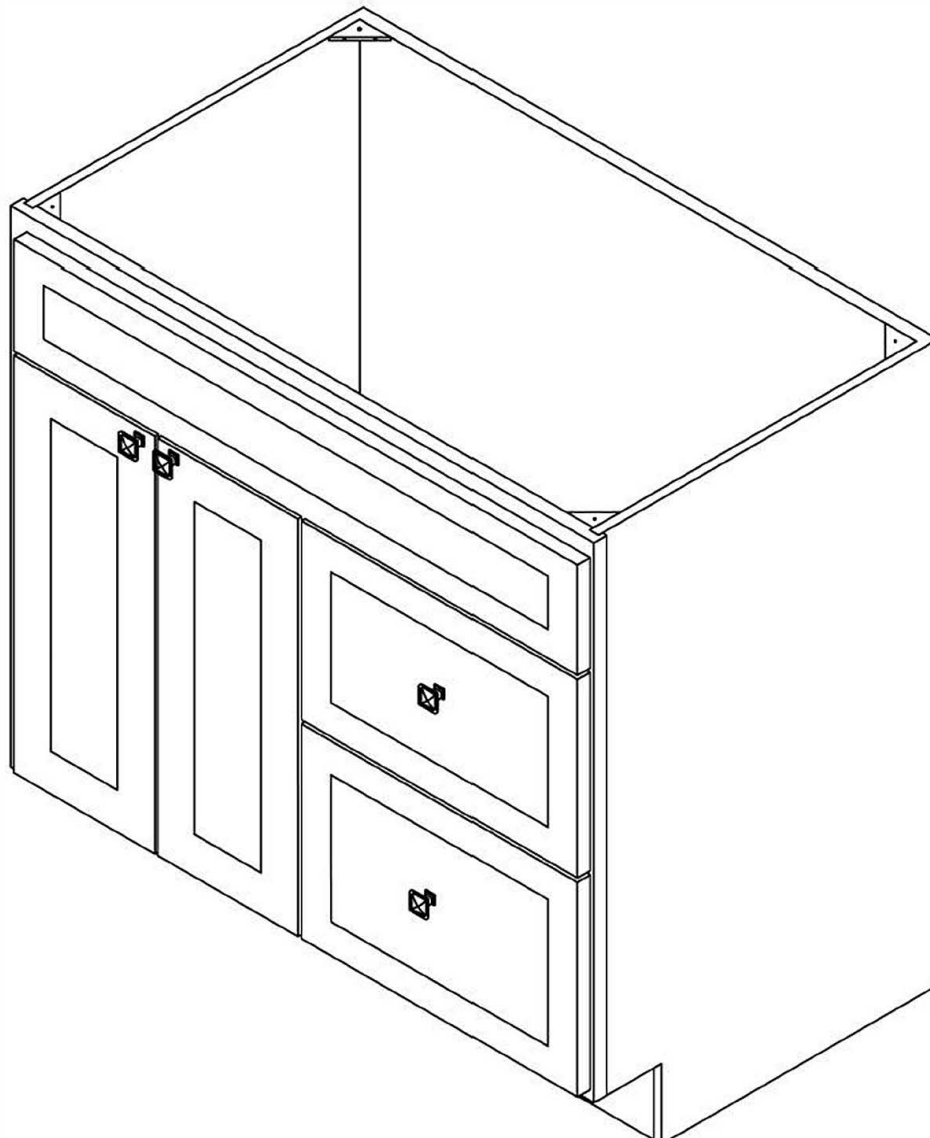


ASSEMBLY INSTRUCTIONS

Two Door Two Drawer Vanity Base Cabinet



Unpacking Precautions

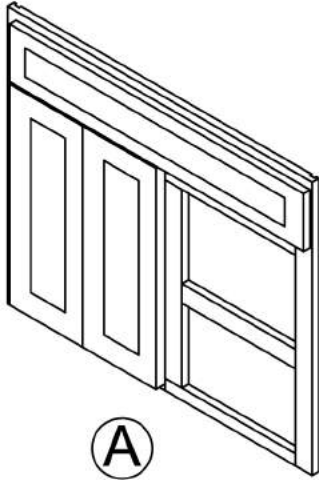
If using a sharp object to unpack the vanity components and the packing materials, be careful to avoid scratching or damaging the vanity components. The various packing materials may be used to protect the vanity components during shipping. During the unpacking process, place the various components away from and to the side of the work area so that they will not be inadvertently knocked over or otherwise damaged.

Required Tools

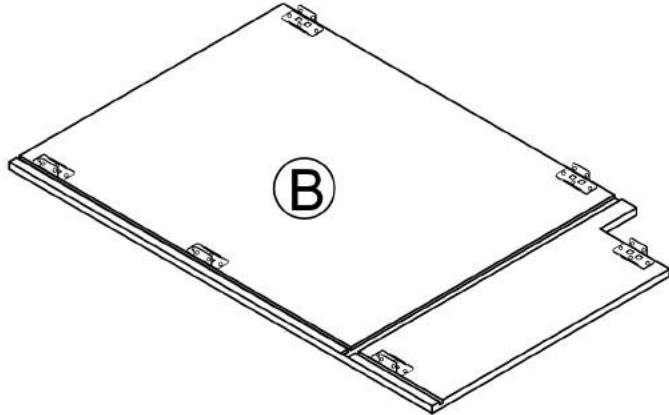
Phillips Screwdriver
Rubber Mallet
Wood Glue



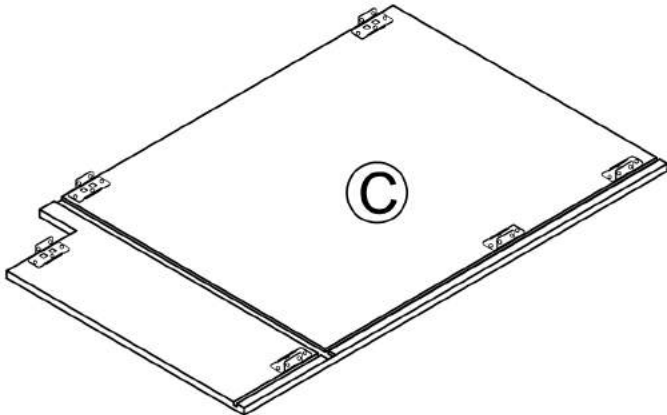
PARTS LIST



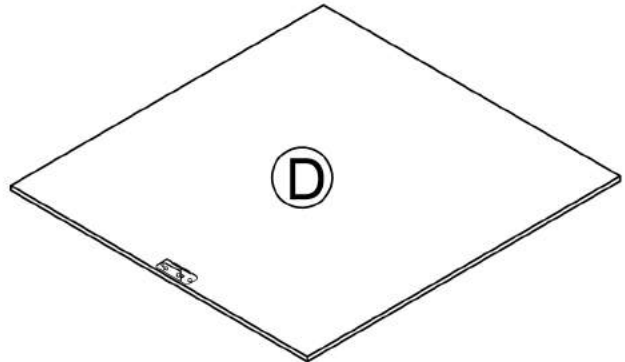
FRONT PANEL 1PC



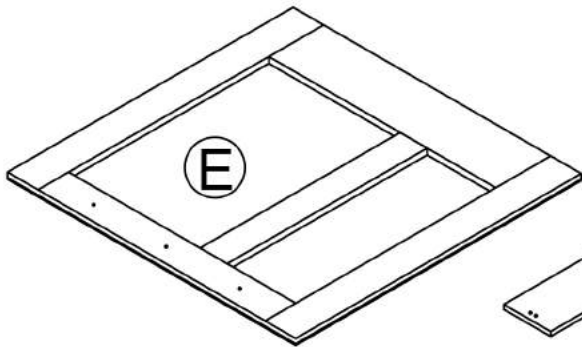
RIGHT SIDE PANEL 1PC



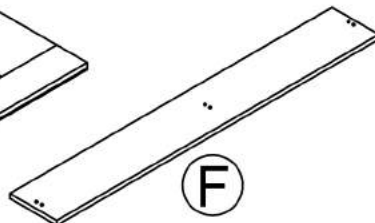
LEFT SIDE PANEL 1PC



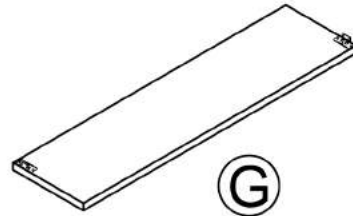
BOTTOM PANEL 1PC



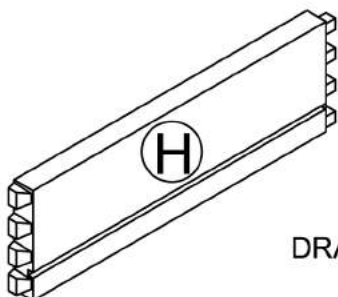
BACK PANEL 1PC



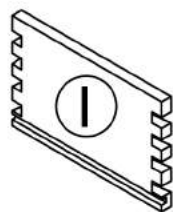
TOE KICK 1PC



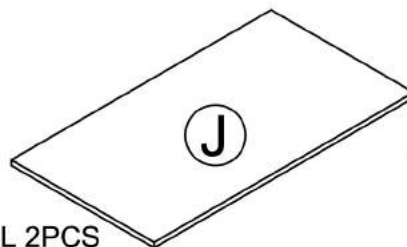
SUPPORT PANEL 1PC



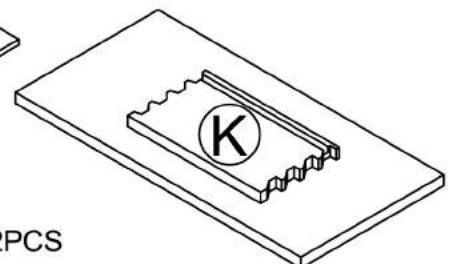
DRAWER SIDE PANEL 4PCS



DRAWER BACK PANEL 2PCS

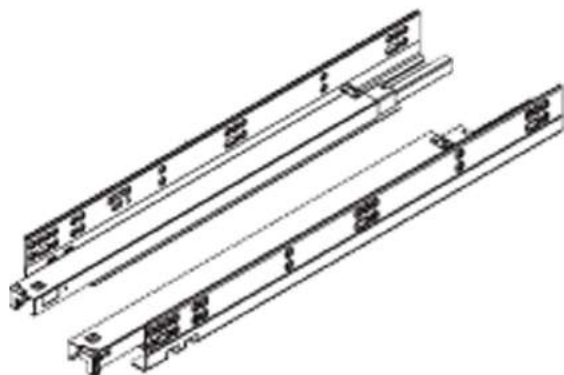


DRAWER BOTTOM PANEL 2PCS



DRAWER FRONT PANEL 2PCS

HARDWARE LIST



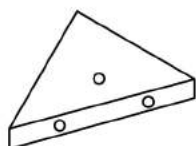
a. undermount soft close glide(L/R)



b. plastic clip (L/R)



c. KNOB 4PCS



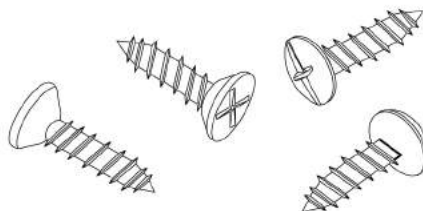
d. WOODEN TRIANGLE 4PCS



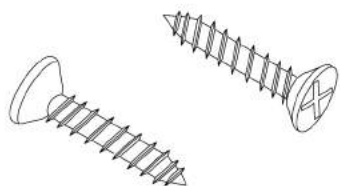
e. RUBBER BUMPER 12PCS



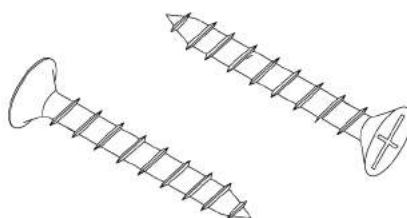
f. GLIDE BRACKET 4PCS



g. 1/2" FLAT (ROUND)HEAD SCREW 28PCS
ROUND HEAD SCREW FOR ESPRESSO METAL CLIP
ONLY



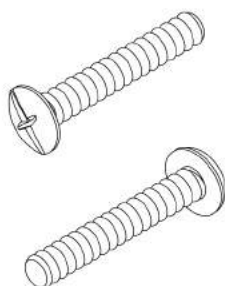
h. 7/8" FLAT HEAD SCREW 8PCS



i. 1-1/8" FLAT HEAD SCREW
7PCS (3 PCS FOR ATTACHING
THE BACK PANEL TO THE
BOTTOM PANEL, 4PCS FOR
CONNECTING TO THE
COUNTERTOP)



j. KNOB SCREW FOR DOOR 1" 2PCS



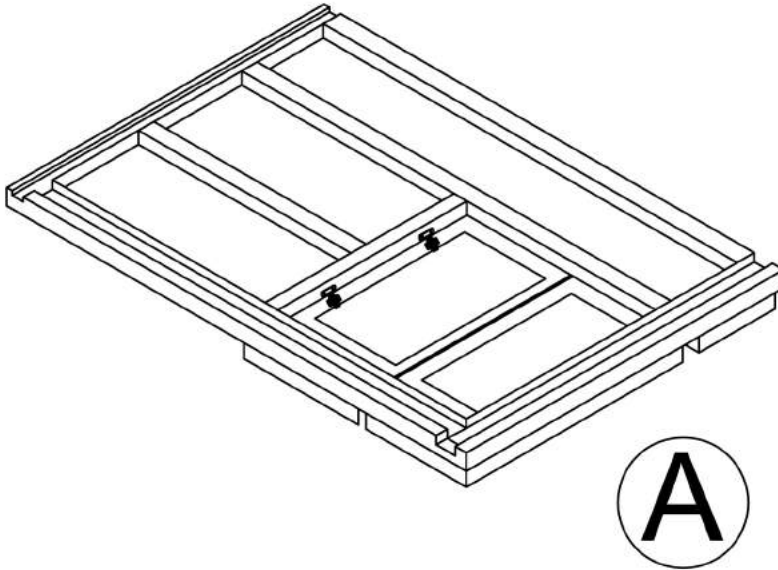
k. KNOB SCREW FOR DRAWER 1-5/16" 2PCS



l. 3/5" Glide screw 16PCS

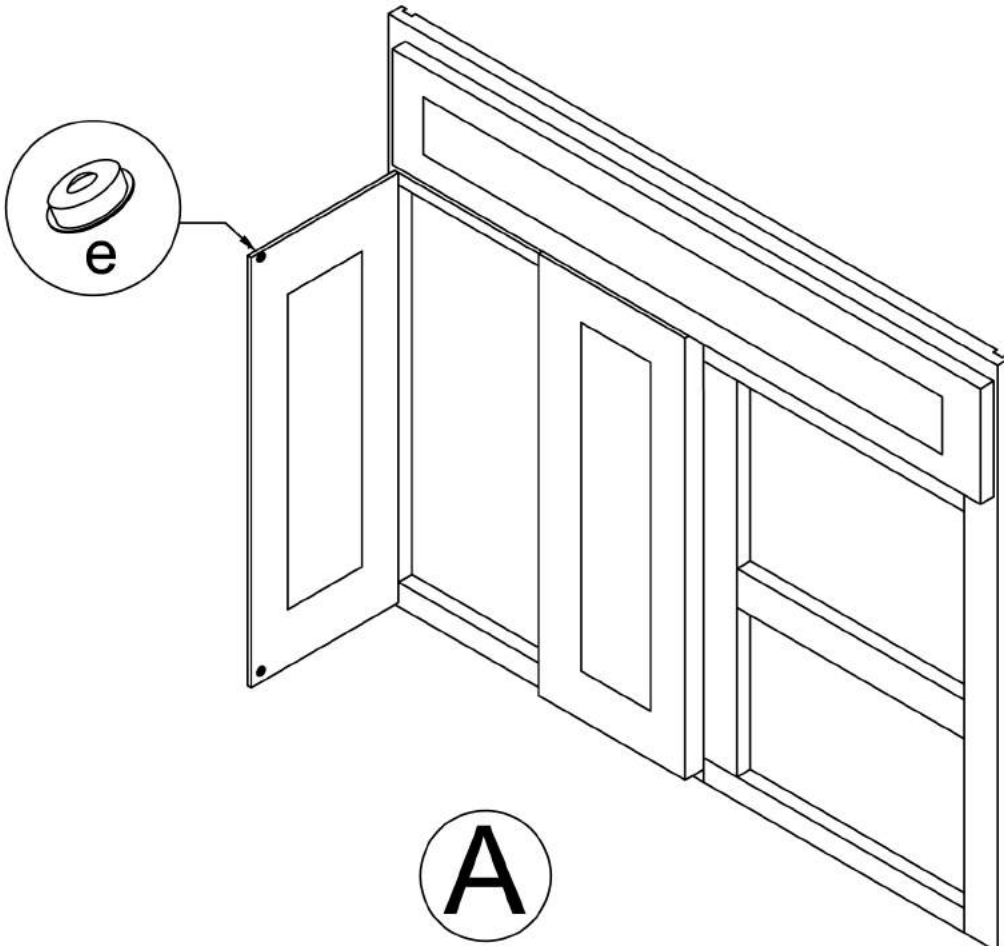
Step 1

Lay the face frame with doors (A) on the soft surface, doors facing down.



Step 2

Attached rubber bumpers to both the top and bottom of each door where they make contact with the face frame to prevent damage and reduce noise.



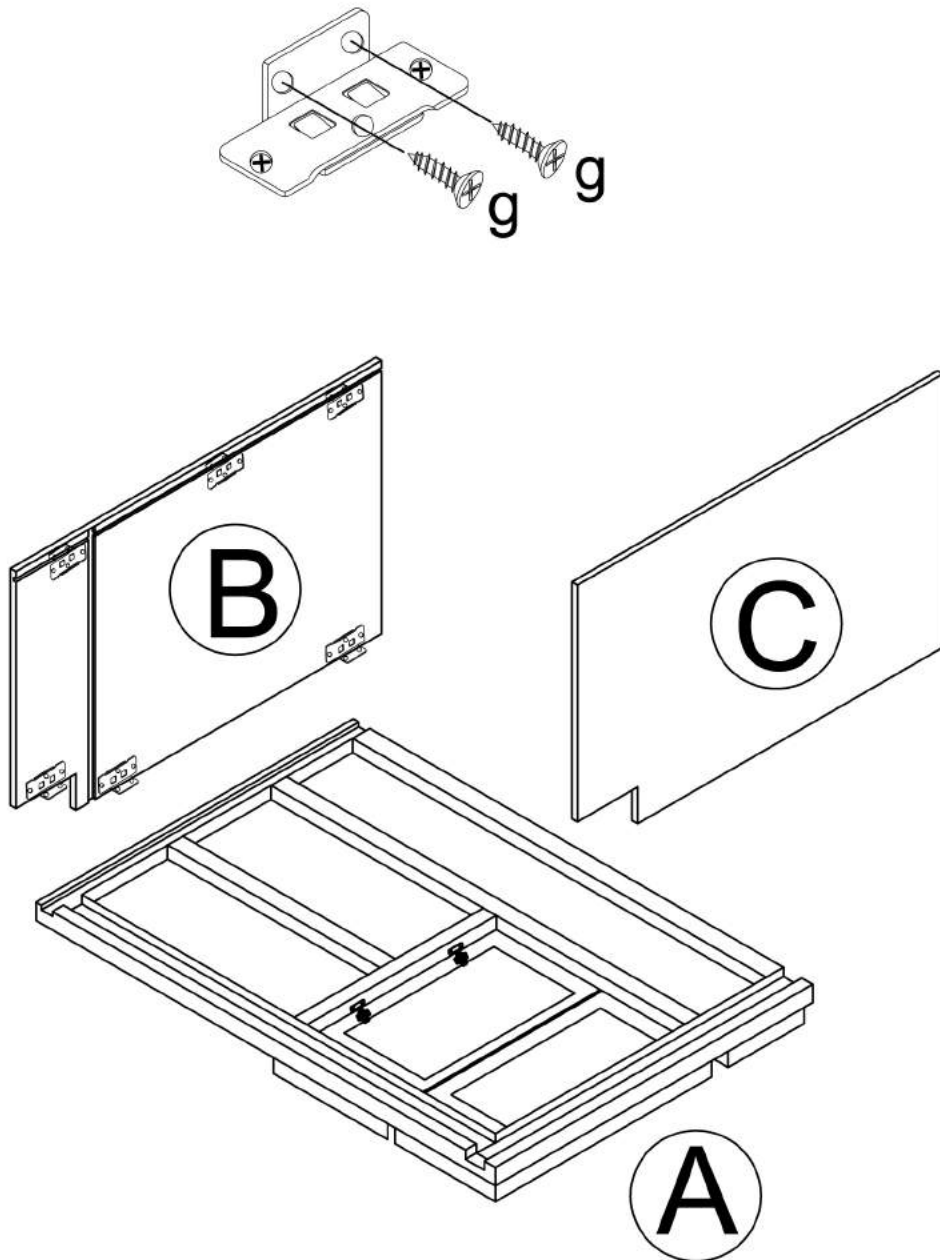
Step 3

Using the wood glue, squeeze a small bead of glue in all grooves before assembling the cabinet sides, bottom, top and back panels. Be careful not to use too much glue, this could cause excess glue to squeeze out and onto the panels, if this should happen, be sure to remove quickly.

Step 4

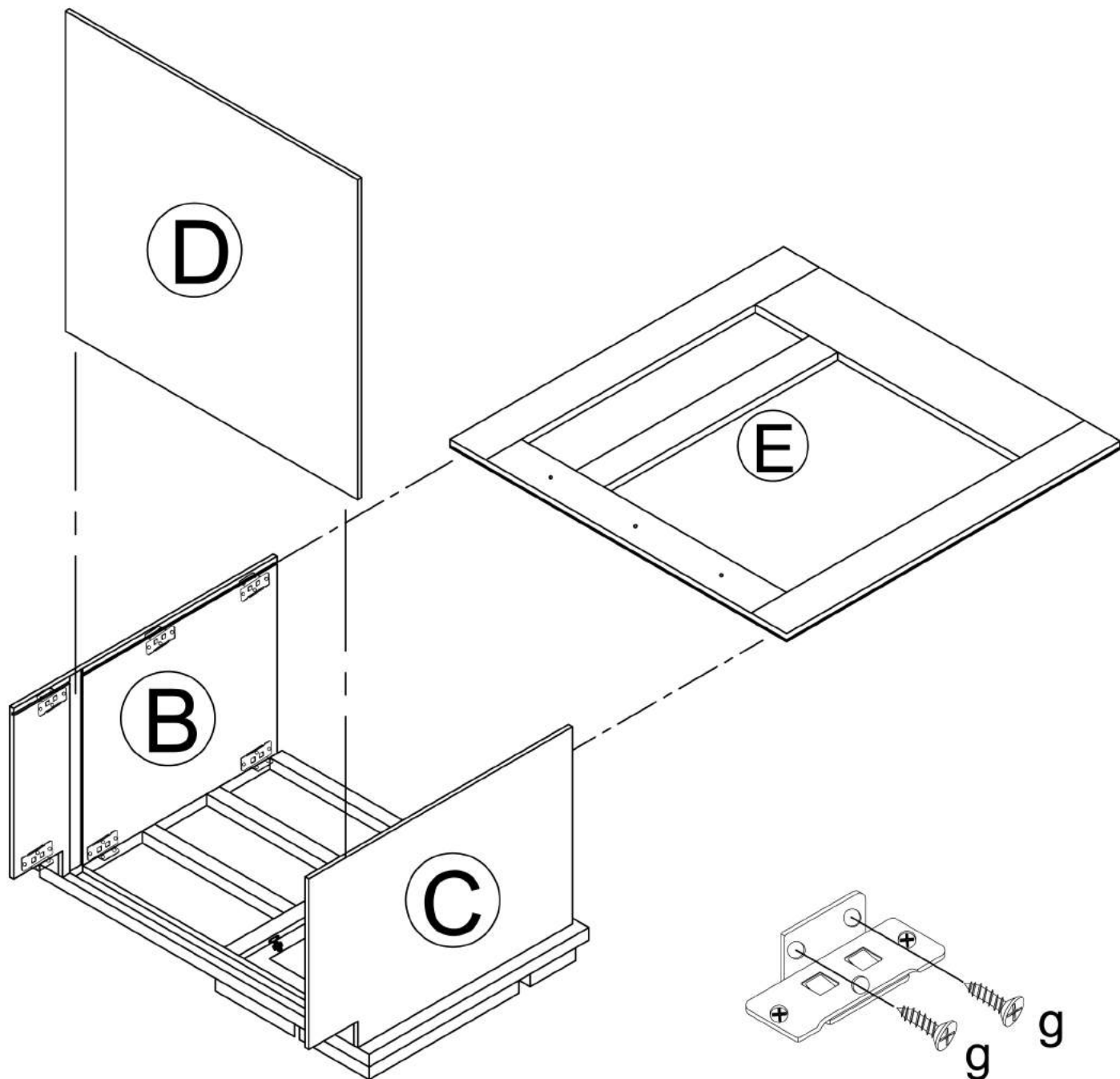
Slide the Right side panel (B) into the groove of the face frame, and mount the male clip to the face frame with the screwdriver. Each male clip will need 2 small screws (g).

Slide the Left side panel (C) into the Left groove of the face frame, and mount the male clip to the face frame with a screwdriver. Each male clip will need 2 small screws (g).



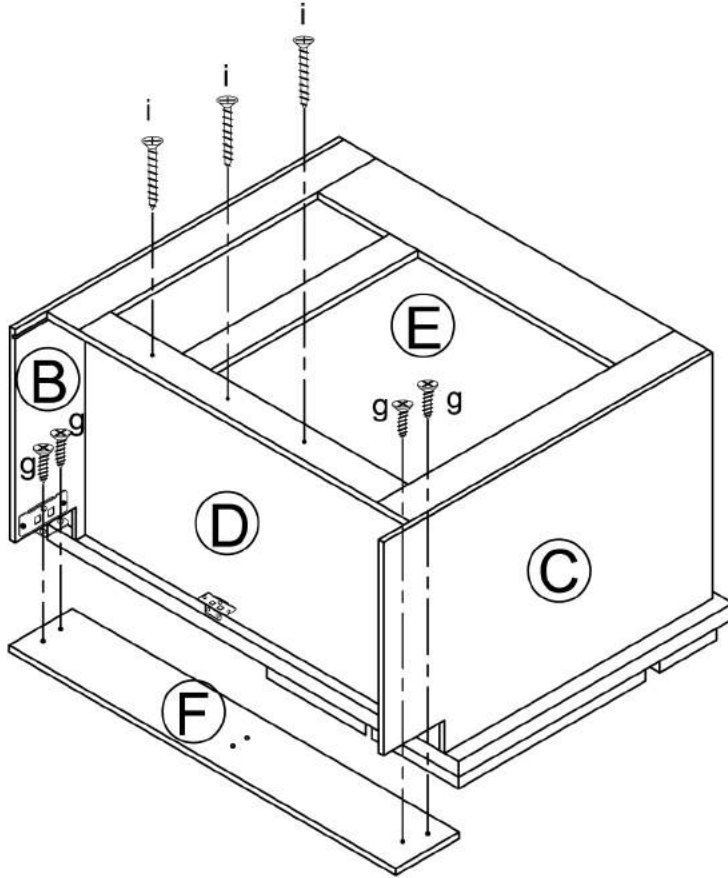
Step 5

Slide bottom panel (D) into the groove of the right and left side panels, and then into the groove in the frame below until it is fully seated. Slide in the back panel (E) and attach the male clips to the back panel. There are three clips on the left side and three clips on the right side. Each male clip will need 2 small screws (g).



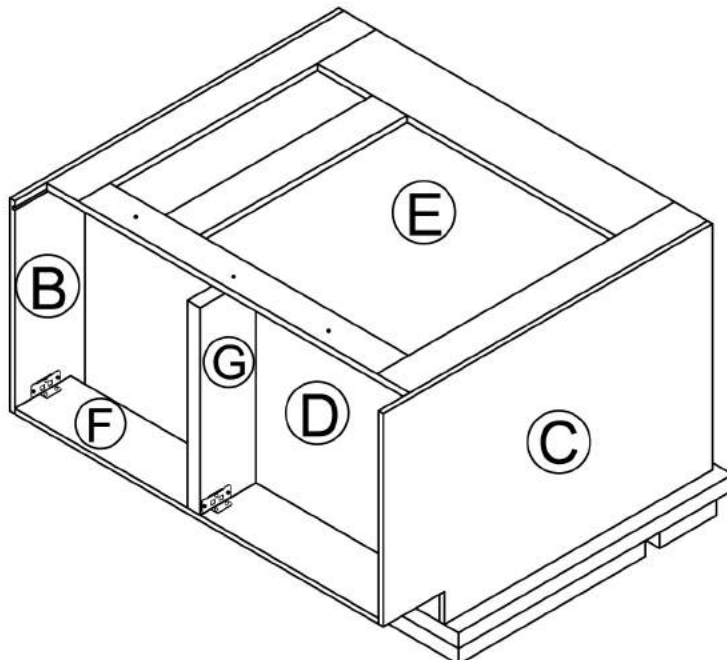
Step 6

Use the long screws (i), to attach the back panel to the edges of the bottom panels. Using the pre-drilled holes provided. Secure the toe kick (F) into the bottom of the cabinet, two small screws (g) in each of the two clips.



Step 7

Secure the support panel (G) under the bottom panel using a male clips and two screws.

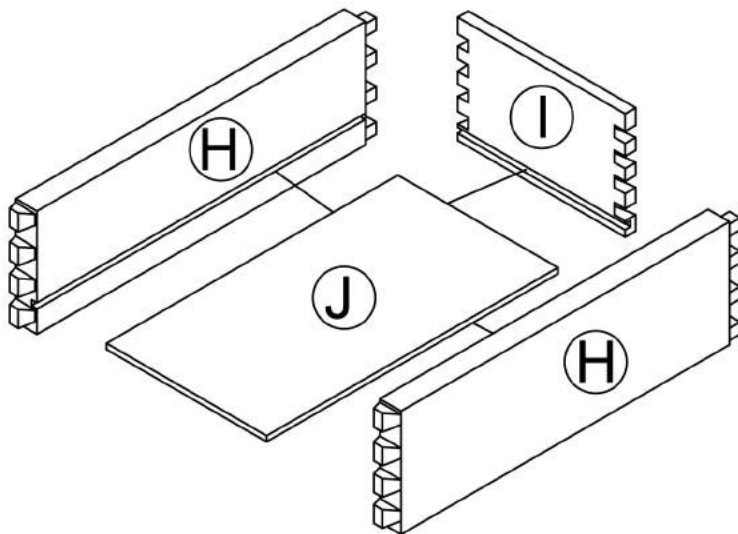


Step 8

Align the dovetails of one of the drawer side panels (H) with the teeth on the drawer back panel (I) and gently seat the drawer side panel into the drawer back panel. This can be done by gently tapping the side with a rubber mallet.

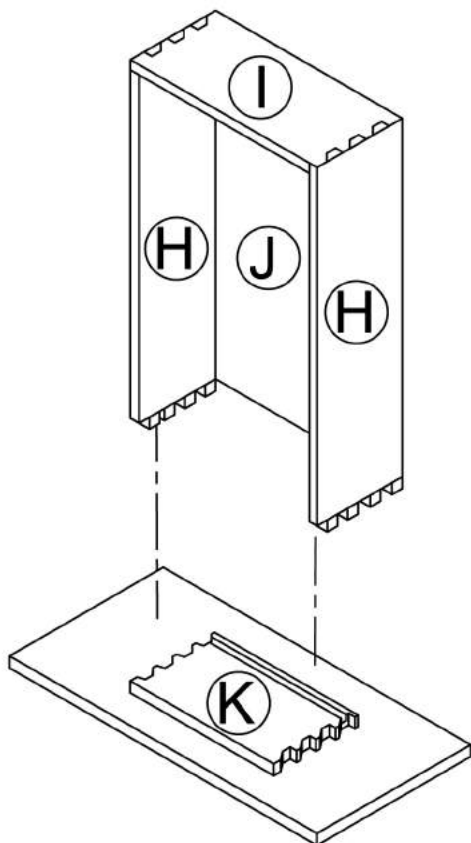
Repeat this procedure for the second drawer side panel.

Slide the drawer bottom into the grooves on the sides and drawer back panel until it is fully seated.



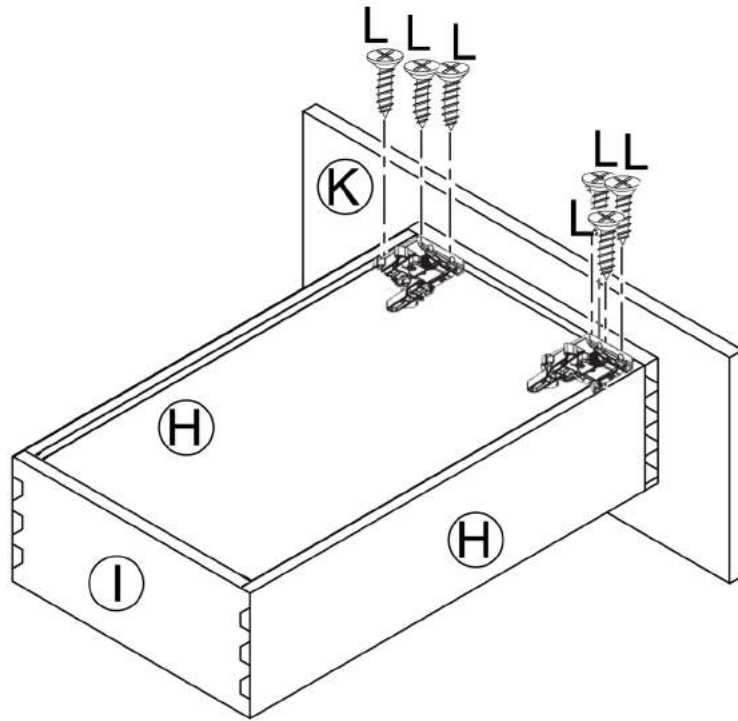
Step 9

Attach the drawer fronts (K) to the drawer box by aligning the dovetails of drawer panels with the teeth on the front drawer panel (K) and gently seat as below.



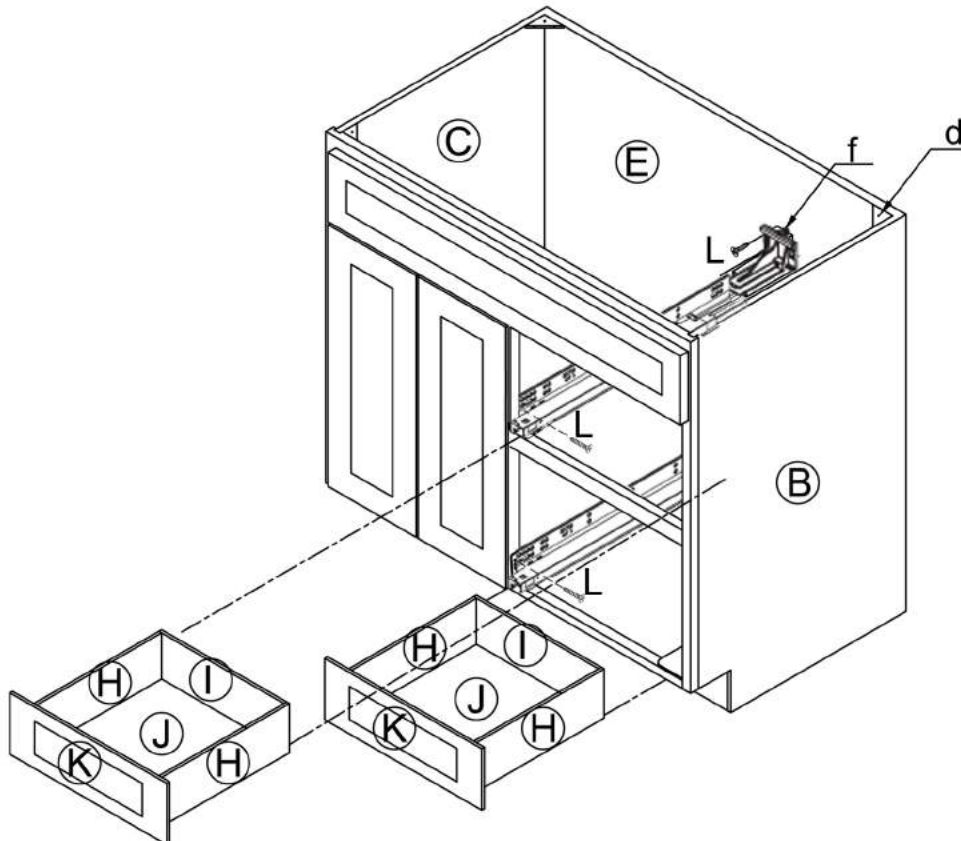
Step 10

Attach the plastic clip on the bottom of the drawer, using six small flat head screws (L), three screws for each.



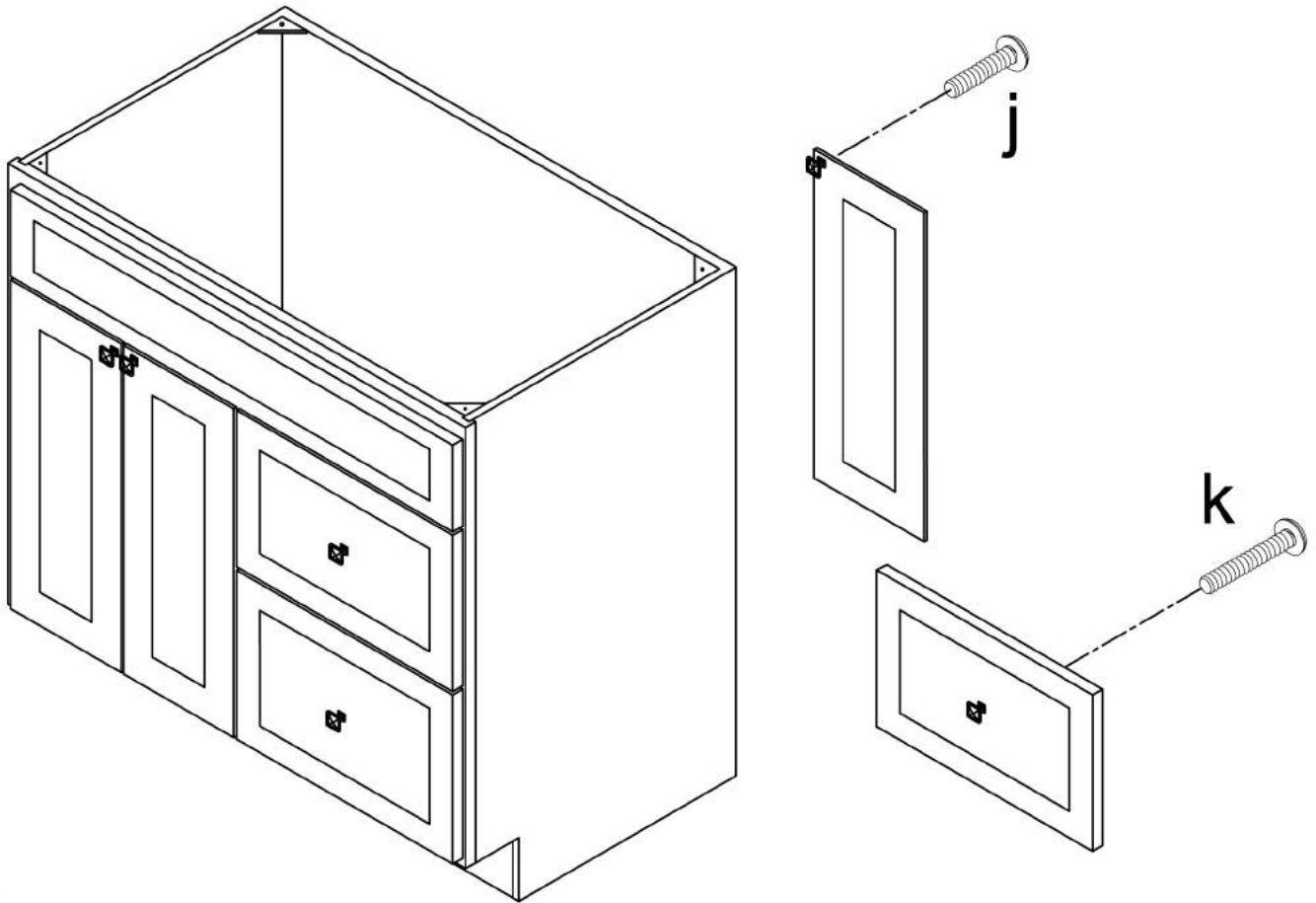
Step 11

Using two small screws (L) to attach the glide bracket to the interior sets of pre-drilled holes on the back panel. Using one small screw (L) to attach the glide on the faceframe. Install the drawers into the cabinet.



Step 12

Install knobs (c). Pilot holes are provided on the back of the doors. If this is your desired location, use a drill to complete drilling the holes through the door, then install the knobs (c) with screws (k) provided.



Step 13

Use two middle size screws (h) to attach 4 wooden triangle blocks (d) in all four corners of the top of the cabinet.

