



SUMMIT OUTDOOR CEILING LIGHT ASSEMBLY/INSTALLATION INSTRUCTIONS

Item # 589002-BLK

Please read carefully and save these instructions, as you may need them for a later date.

CAUTION

WARNING: For fixtures labeled for outdoor and wet location use, provide a water-tight seal between the fixture and the wall surface by using silicone or similar caulking. Turn off the main power at the breaker before installing or service the fixture.

GENERAL

All electrical connections must be in accordance with local and National Electrical Code (N.E.C) standards. If you are unfamiliar with proper electrical wiring connections obtain the services of a qualified electrician.

Remove the fixture and mounting package from the box and make sure that no parts are missing by referencing the illustrations on the installation instructions.

TOOLS REQUIRED

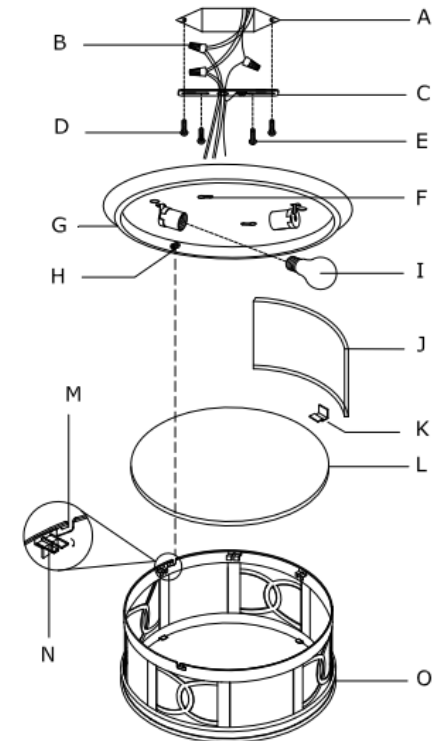
Phillips screwdriver

ASSEMBLY AND INSTALLATION

1. Attach the two long screws(E) to the mounting strap(C) and screw in 2 to 3 turns.
2. Attach the mounting strap(C) to the outlet box(A) using two short mounting screws(D).
3. Pull out the outlet wires and the house grounding wire from the outlet box(A).

*IF IN DOUBT ABOUT ELECTRICAL
INSTALLATION, CONSULT A LICENSED
ELECTRICIAN.*

4. Make wire connections using the wire nuts(B):
 - The two black wires from the fixture to the black wire from the power source.
 - The two white wires from the fixture to the white wire from the power source.
 - Attach the fixture grounding wire to the mounting strap with the green grounding screw. Then connect it to the house grounding wire with the wire nut. Carefully put the wires back into the outlet box(A).
5. Attach the ceiling pan(G) to the mounting strap(C) by inserting two long screws(E) into the key holes(F) and rotate the pan until it locks in place. then secure the long screws(E) tightly.
6. Install bulbs(I)(not included) to the socket.(See relamping label at socket area or packaging for maximum allowed wattage)
7. Place the bottom glass panel(L) into the metal frame(O), and set the eight "S" clips(K) on the slot and fix the bottom glass panel (L) by inserting the side glass panels(J) onto the "S" clips(K), then press the top clips (N) of the metal frame(O) to secure the side glass panels(J).
8. Attach the metal frame(O)to the ceiling pan(G) by locating the "L" slot(M) in the screws(H),then turn it clockwise until it locks in place.
9. Turn on the power at the main fuse or circuit breaker box.



Customer Service: 1-800-558-8700