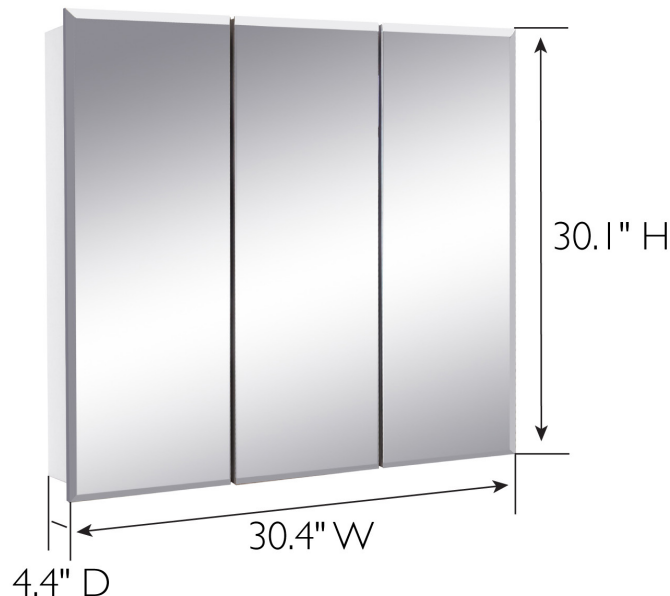


Cyprus Tri-View Medicine Cabinet Mirror 30"



SPECIFICATIONS

MATERIAL CONSTRUCTION:	Wood	FACE FRAME MATERIAL:	Particle Board
ASSEMBLY REQUIRED:	No	SIDES MATERIAL:	Particle Board
TOOLS NEEDED FOR INSTALLATION:	Screw, Screwdriver	BOTTOM MATERIAL:	Particle Board
ASSEMBLED DIMENSIONS:	30.1" H x 30.4" L x 4.4" D	BACK PANEL MATERIAL:	MDF
WEIGHT:	33.44 lbs.	BACK BRACE MATERIAL:	N/A
NUMBER OF DOORS:	3	GLASS STYLE:	Beveled Edges
DOOR MATERIAL:	Particle Board and Mirror	LIGHTED:	No
NUMBER OF SHELVES:	2	POWER SOURCE:	N/A
ADJUSTABLE SHELVES:	Yes	MOUNTING HARDWARE INCLUDED:	No
SHELF MAX WEIGHT CAPACITY:	20 lbs.	MOUNTING TYPE:	Surface and Recessed
SHELF WIDTH:	25.35"	QTY OF LAMPS:	N/A
SHELF THICKNESS:	0.47"		
SHELF MATERIAL:	Particle Board		

WARRANTY: 1-Year limited warranty
TITLE VI COMPLIANT: Yes
PROP 65 HARMFUL MATERIAL: Formaldehyde



TYPE:
JOB:
ORDER CODE:
APPROVALS: