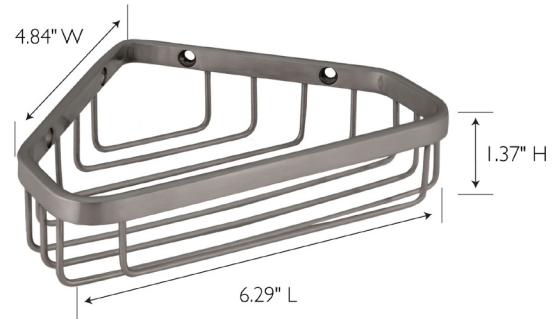


6" Corner Shower Basket Stainless Steel



SPECIFICATIONS

MATERIAL CONSTRUCTION:	Stainless Steel
ASSEMBLY REQUIRED:	Yes
TOOLS NEEDED FOR INSTALLATION:	Screwdriver
ASSEMBLED DIMENSIONS:	1.37" H x 6.29" L x 4.84" W
ASSEMBLED WEIGHT:	.62 lbs.
MIN. LENGTH:	6.29"
MAX LENGTH:	6.29"
SCREWS INCLUDED:	Yes
DRYWALL ANCHORS INCLUDED:	No

WARRANTY:	1-Year limited warranty
LEGAL FOR SALE IN CALIFORNIA:	Yes
ADA COMPLIANT:	N/A



TYPE:
JOB:
ORDER CODE:
APPROVALS: