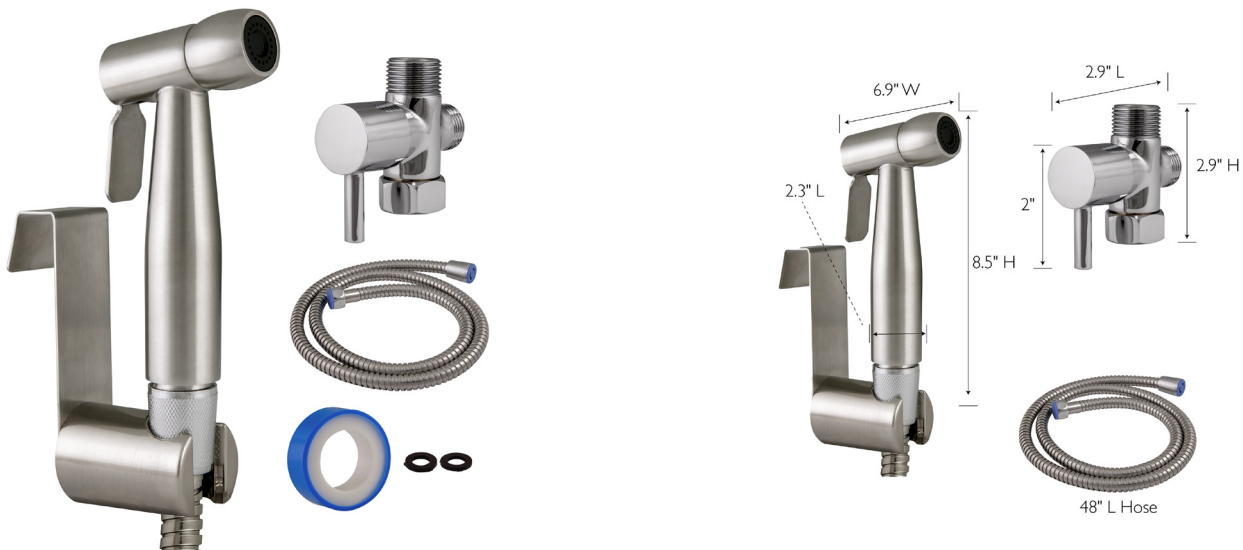


### Hand Held Bidet Sprayer Stainless Steel



#### SPECIFICATIONS

MATERIAL:	Stainless Steel
MOUNTING TYPE:	Dual Mount
FLOW RATE:	2.2 GPM
SPRAYER INCLUDED:	Yes
SPRAYER HOSE LENGTH:	48 in.
SPRAYER TYPE:	Bidet
SPRAYER DIMENSIONS:	2.3" L x 6.9" D x 8.5" H
VALVE DIMENSIONS:	2.9" L x 2.9" H
WEIGHT:	5 lbs.

WARRANTY:	5-Year limited warranty
UPC CERTIFICATION NAME:	N/A
ANSI CERTIFICATION:	N/A
WATERSENSE:	N/A
ASME:	N/A
AB-1953 LEAD FREE:	N/A
ADA COMPLIANT:	N/A



TYPE:  
JOB:  
ORDER CODE:  
APPROVALS: