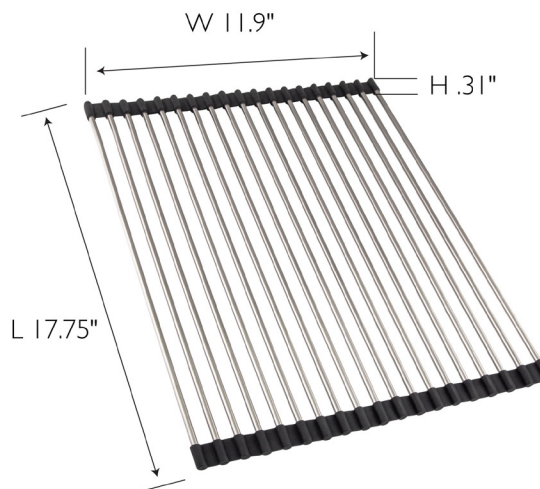


Roll-Up Kitchen Drying Rack
Stainless Steel



SPECIFICATIONS

MATERIAL:	Stainless Steel
DIMENSIONS:	16.75" H x 12" L x .31" W
HEAT CAPACITY:	Up to 500°F
WEIGHT CAPACITY:	Up to 50 lbs
ASSEMBLY REQUIRED:	No
INSTALLATION REQUIRED:	Yes
TOOLS REQUIRED:	No

WARRANTY: N/A
UPC CERTIFICATION: N/A

TYPE:
JOB:
ORDER CODE:
APPROVALS: