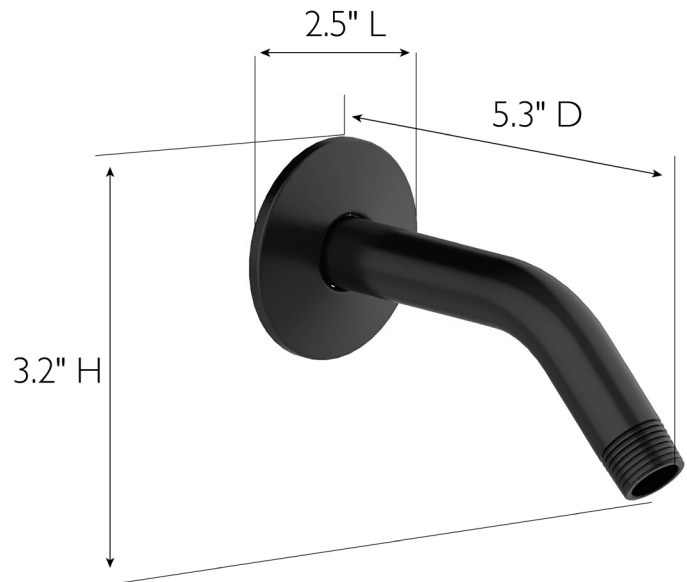


Shower Arm with Escutcheon
Matte Black



SPECIFICATIONS

MATERIAL CONSTRUCTION:	Steel
PVD FINISH:	No
ASSEMBLY REQUIRED:	No
TOOLS NEEDED FOR INSTALLATION:	N/A
ASSEMBLED DIMENSIONS:	3.2" H x 2.5" L x 5.3" D
ASSEMBLED WEIGHT:	0.29 lbs.
MIN. LENGTH:	2.5"
MAX LENGTH:	2.5"
SCREWS INCLUDED:	N/A
DRYWALL ANCHORS INCLUDED:	N/A
CENTER TO CENTER:	N/A

WARRANTY:	5-Year limited warranty
LEGAL FOR SALE IN CALIFORNIA:	Yes
ADA COMPLIANT:	N/A



TYPE:
JOB:
ORDER CODE:
APPROVALS: