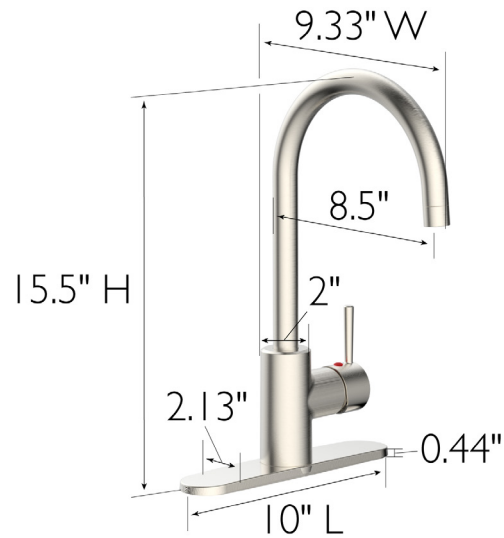


Eastport II Single Handle Kitchen Faucet  
Satin Nickel



**SPECIFICATIONS**

<b>MATERIAL:</b>	Zinc/ABS	<b>FLOW RATE:</b>	1.8 GPM
<b>HANDLE MATERIAL:</b>	Stainless Steel	<b>LOW FLOW:</b>	No
<b>SPOUT MATERIAL:</b>	N/A	<b>HANDLES - CONFIGURATION:</b>	Single Handle
<b>CARTRIDGE MATERIAL:</b>	Ceramic	<b>HANDLE REACH:</b>	3"
<b>WATERWAY MATERIAL:</b>	Hybrid	<b>SPRAYER INCLUDED:</b>	No
<b>SPRAYER MATERIAL:</b>	N/A	<b>SPRAYER HOSE LENGTH:</b>	N/A
<b>DRAIN MATERIAL:</b>	N/A	<b>SPRAYER TYPE:</b>	N/A
<b>FAUCET TYPE:</b>	Kitchen Single Handle	<b>SOAP DISPENSER INCLUDED:</b>	No
<b>MOUNTING TYPE:</b>	Top Mount	<b>QUICK ATTACH INCLUDED:</b>	Yes
<b>MOUNTING HOLES:</b>	1 or 3	<b>DIMENSIONS WITH DECK PLATE:</b>	10" L x 9.33" W x 15.5" H
<b>MAX DECK THICKNESS:</b>	0.44"	<b>WEIGHT WITH DECK PLATE:</b>	5.3 lbs.
<b>DECK PLATE - INCLUDED:</b>	Yes	<b>DIMENSIONS W/O DECK PLATE:</b>	2" L x 9.33" W x 15.5" H
<b>SPOUT REACH:</b>	8.5"	<b>WEIGHT W/O DECK PLATE:</b>	5.234 lbs.
<b>SPOUT HEIGHT:</b>	10"	<b>PVD FINISH:</b>	N/A

<b>WARRANTY:</b>	5-Year limited warranty
<b>UPC CERTIFICATION NAME:</b>	cUPC
<b>ANSI CERTIFICATION:</b>	N/A
<b>WATERSENSE:</b>	No
<b>ASME:</b>	N/A
<b>AB-1953 LEAD FREE:</b>	N/A
<b>ADA COMPLIANT:</b>	Yes



TYPE:
JOB:
ORDER CODE:
APPROVALS: