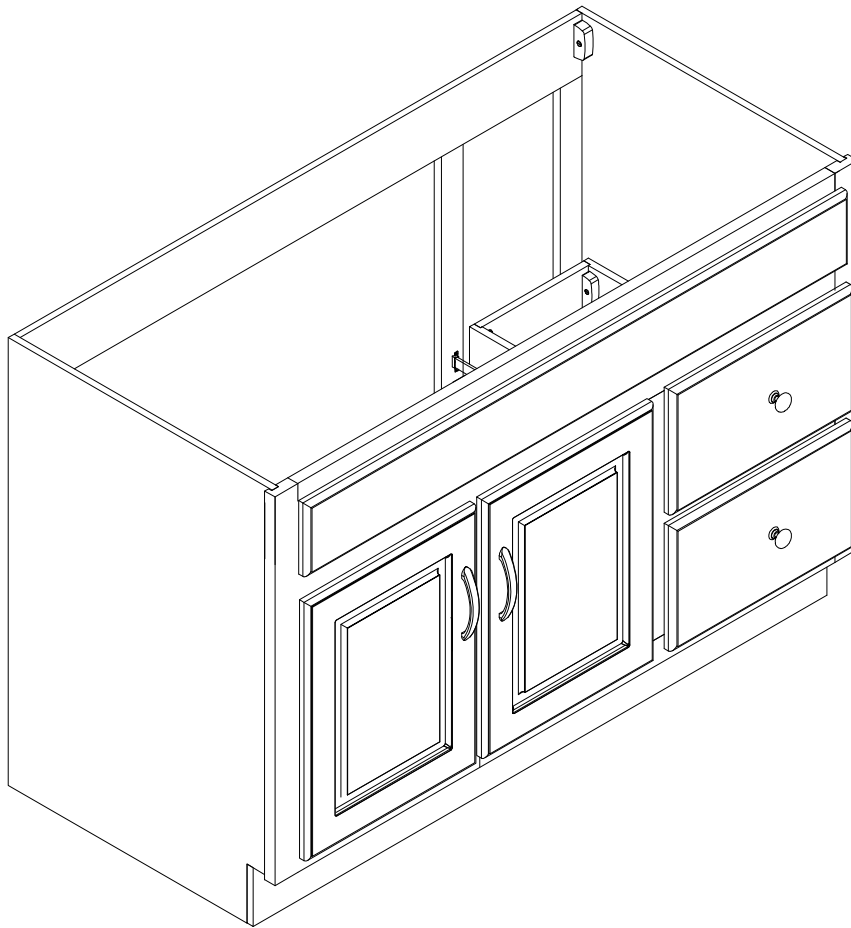




www.todaysdesignhouse.com

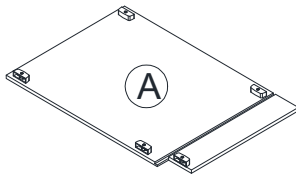


587022

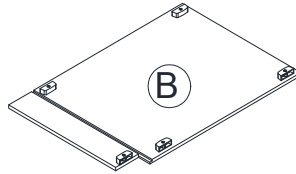
ASSEMBLY INSTRUCTIONS

DHI Corp. • 5205 W. Donges Bay Rd. • Mequon, WI 53092 • 800.558.8700

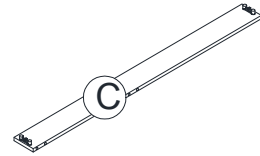
PARTS LIST:



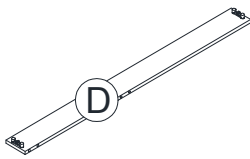
LEFT SIDE PANEL 1PCS



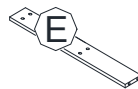
RIGHT SIDE PANEL 1PCS



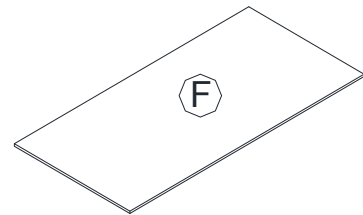
BACK UP CROSS BRACE 1PCS



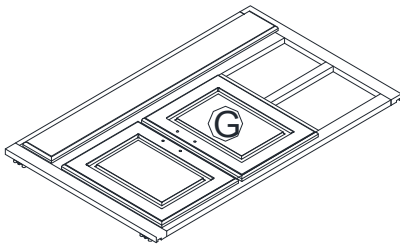
BACK DOWN CROSS BRACE 1PCS



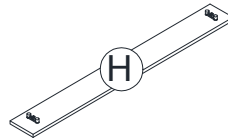
BACK PARTITION PANEL 2PCS



BOTTOM PANEL 1PCS



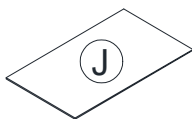
FRONT FRAME 1PCS



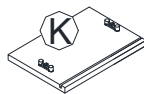
TOE KICK PANEL 1PCS



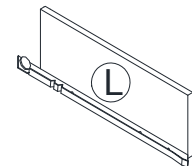
DRAWER FRONT PANEL 2PCS



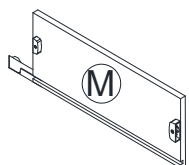
DRAWER BOTTOM PANEL 2PCS



DRAWER BACK PANEL 2PCS



DRAWER LEFT SIDE PANEL 2PCS



DRAWER RIGHT SIDE PANEL 2PCS

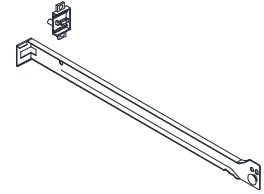
HARDWARE LIST:



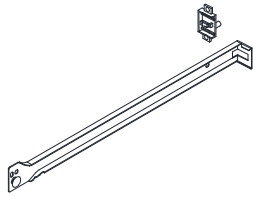
a. WOOD DOWEL 8PCS



b. ROUND HEAD SCREW 8PCS



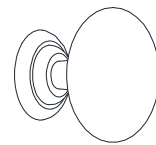
c. RIGHT DRAWER GUIDE 2PCS



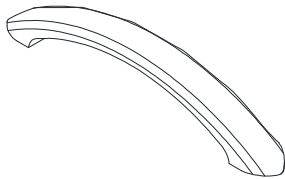
d. LEFT DRAWER GUIDE 2PCS



e. FLAT SCREW 4PCS



f. KNOB 2PCS



g. HANDLE 2PCS

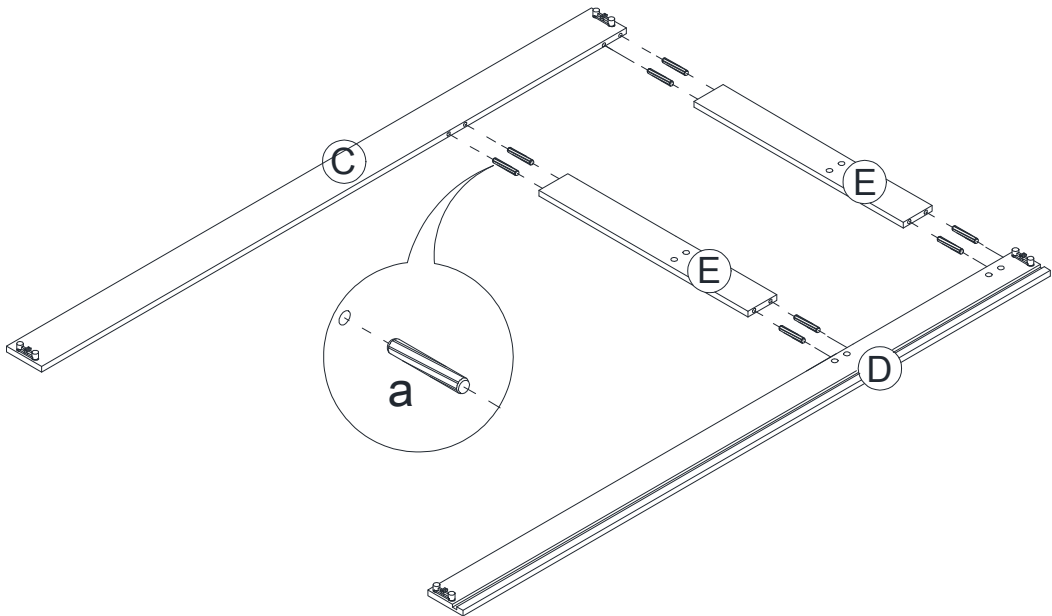


h. 3/4" L HANDLE BOLT 4PC

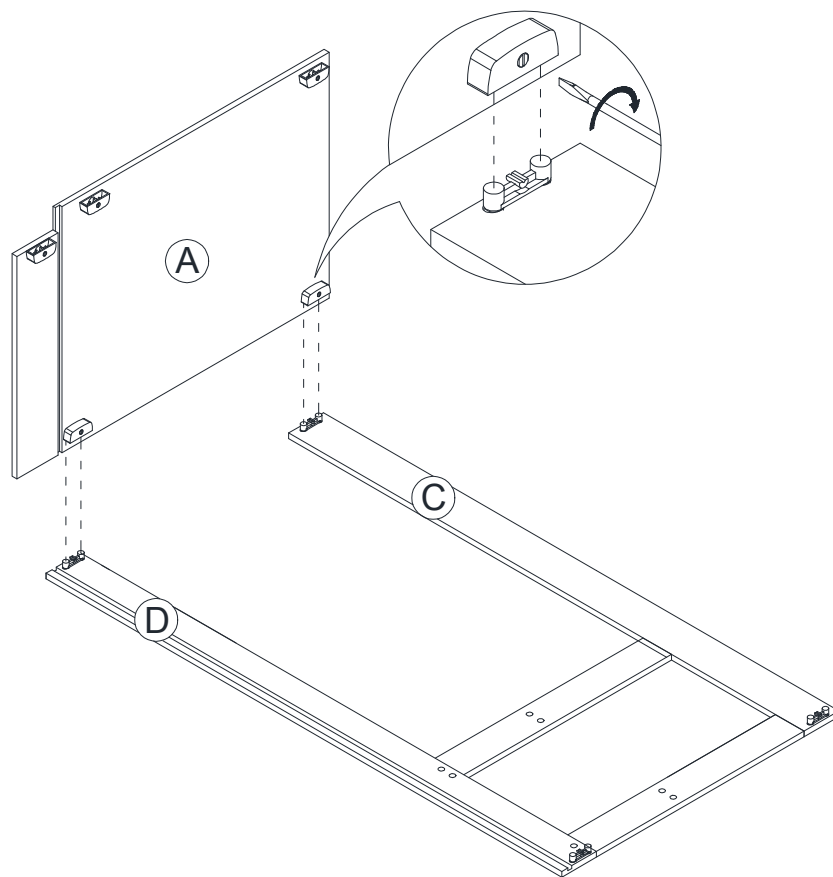


i. 7/8" L HANDLE BOLT 2PC

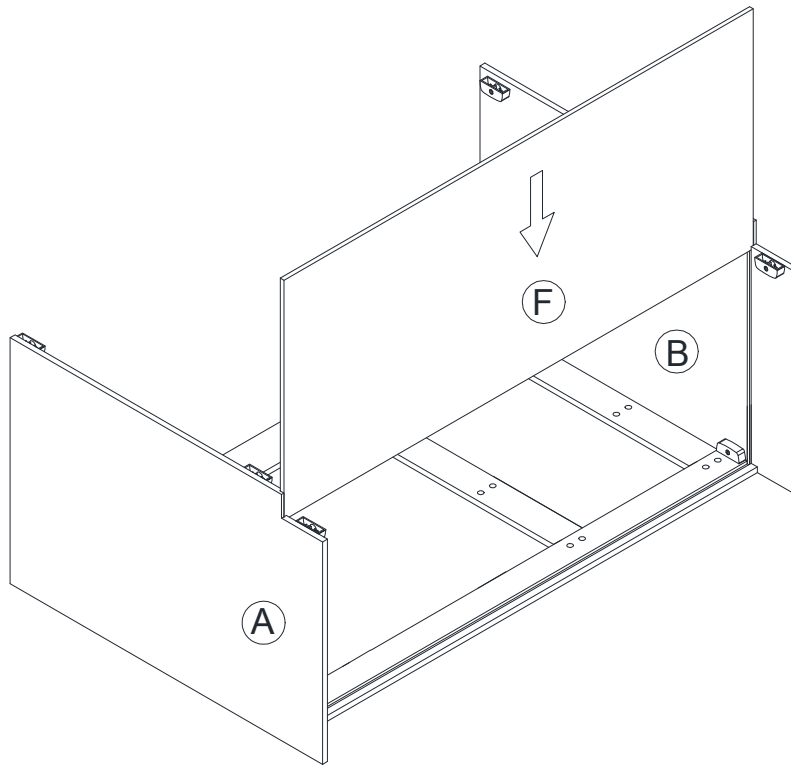
STEP 1



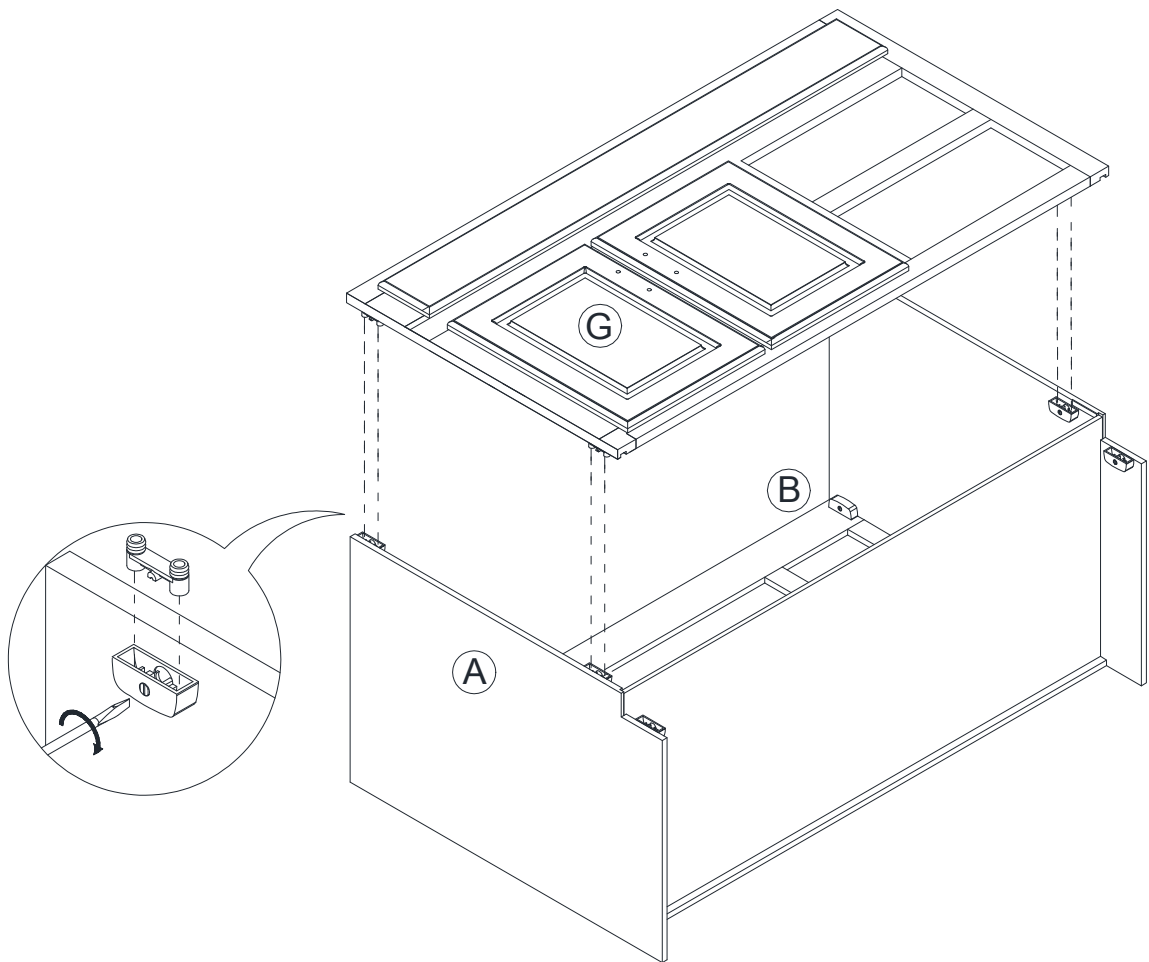
STEP 2



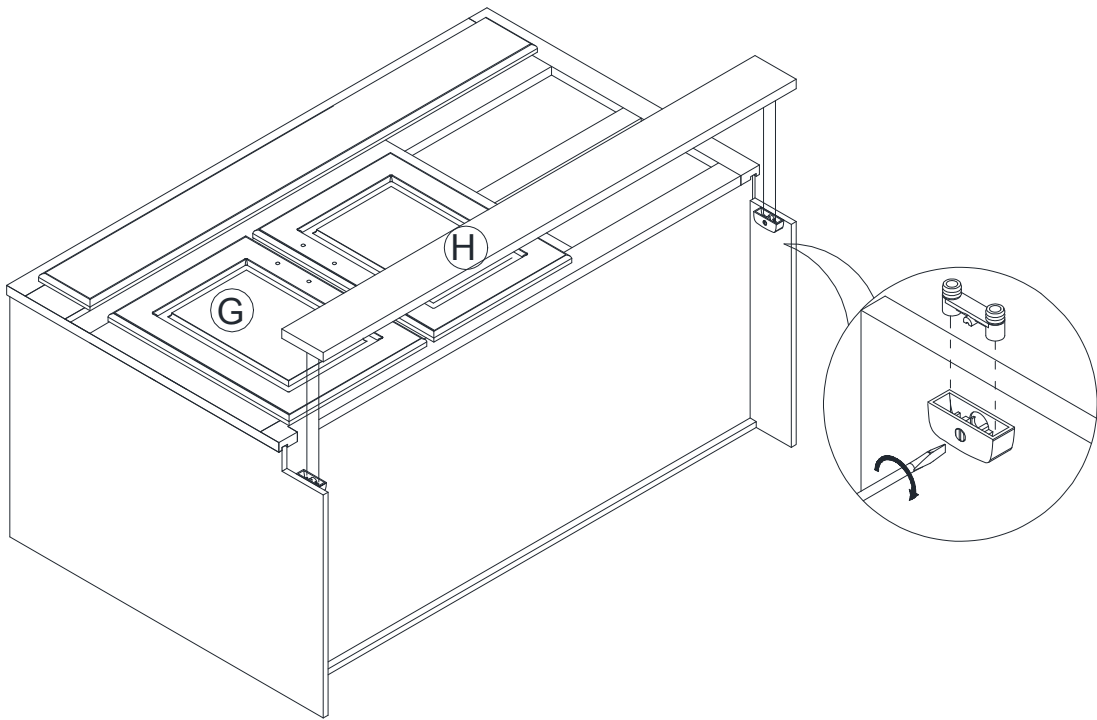
STEP 4



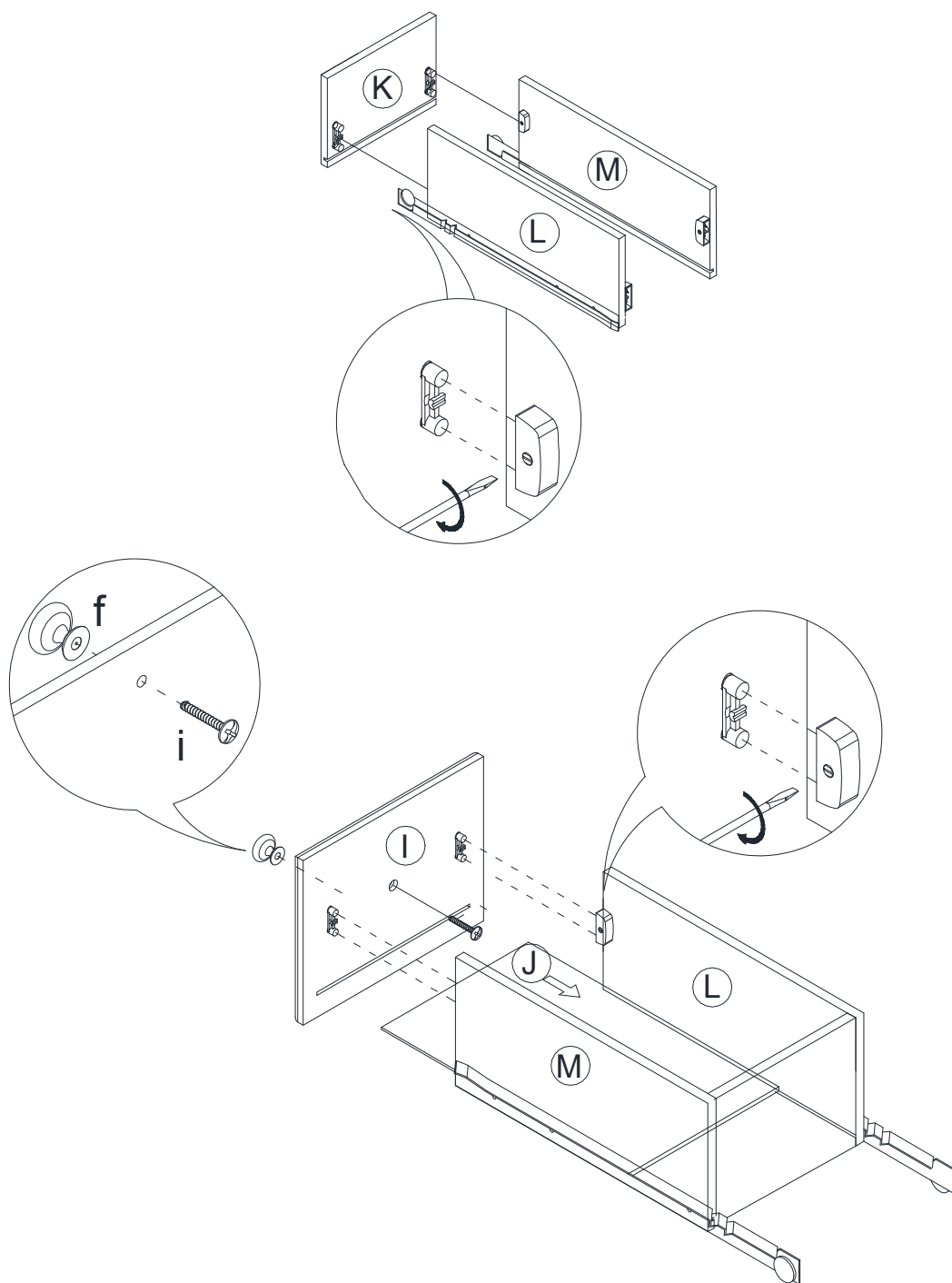
STEP 5



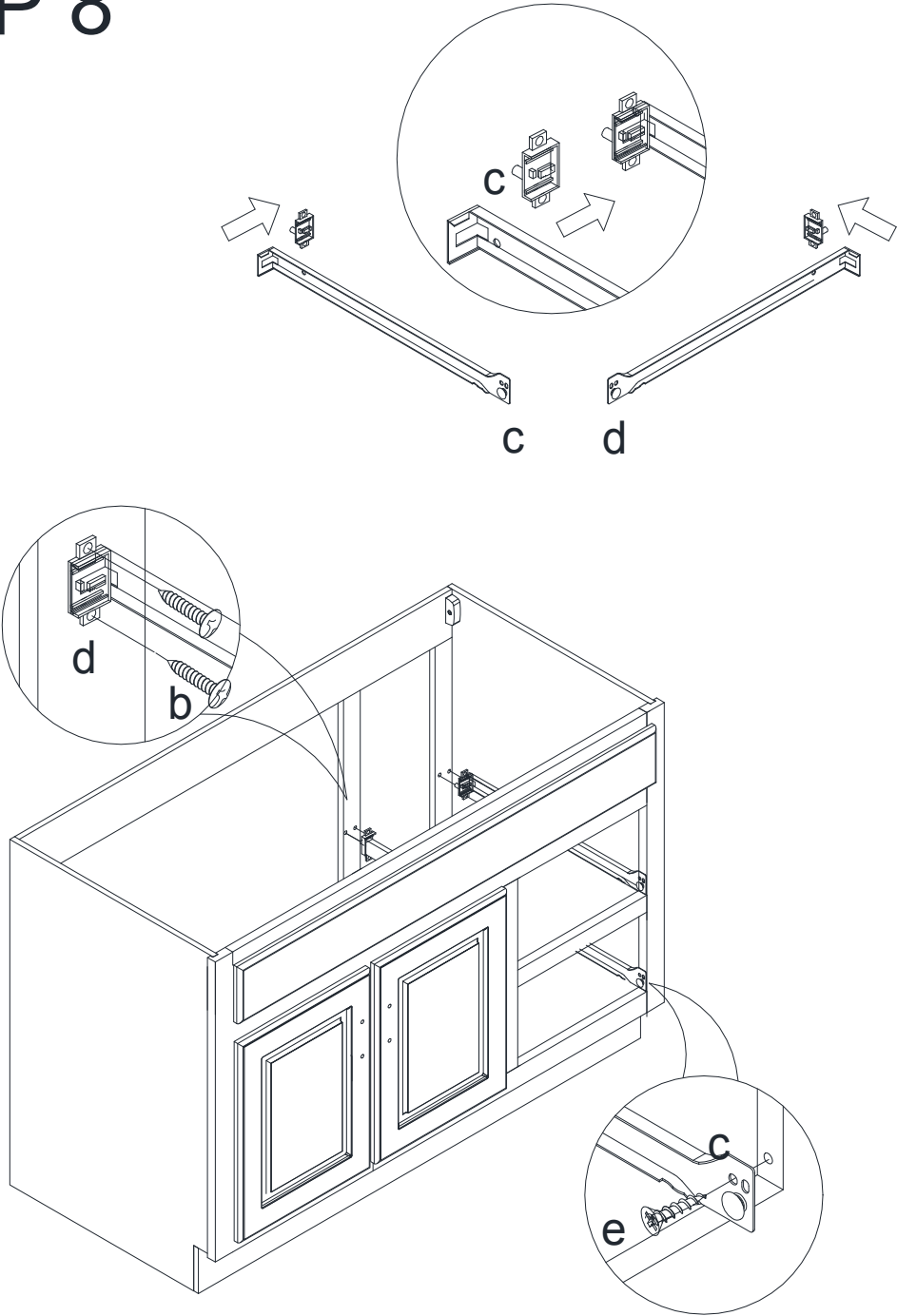
STEP 6



STEP 7



STEP 8



STEP 9

